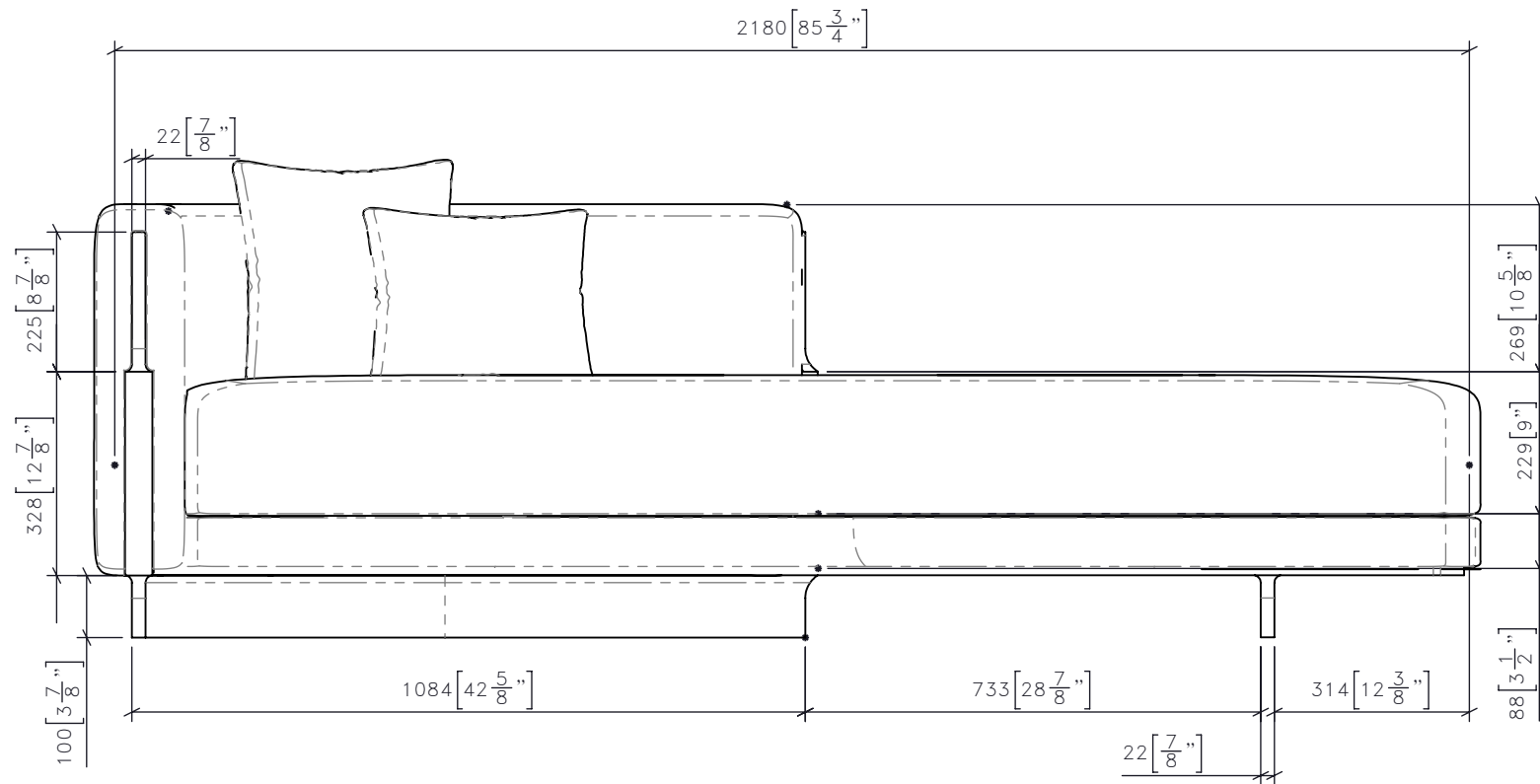


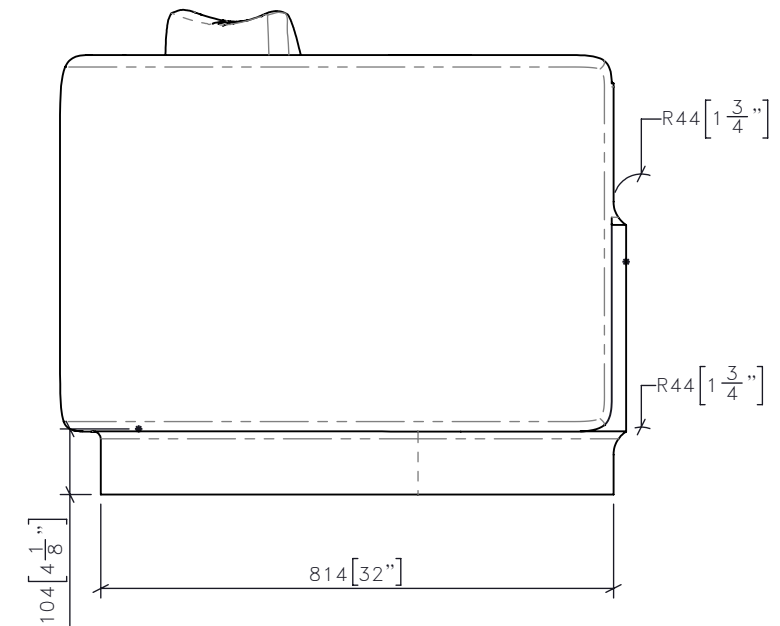
FOR DESIGN INTENT ONLY

DRAWING ARE NOT TO BE SCALED. CONTRACTOR MUST CHECK AND VERIFY ALL JOB DIMENSIONS, DRAWINGS, DETAILS AND SPECIFICATIONS; AND REPORT ANY DISCREPANCIES TO DESIGNER BEFORE PROCEEDING WITH WORK.

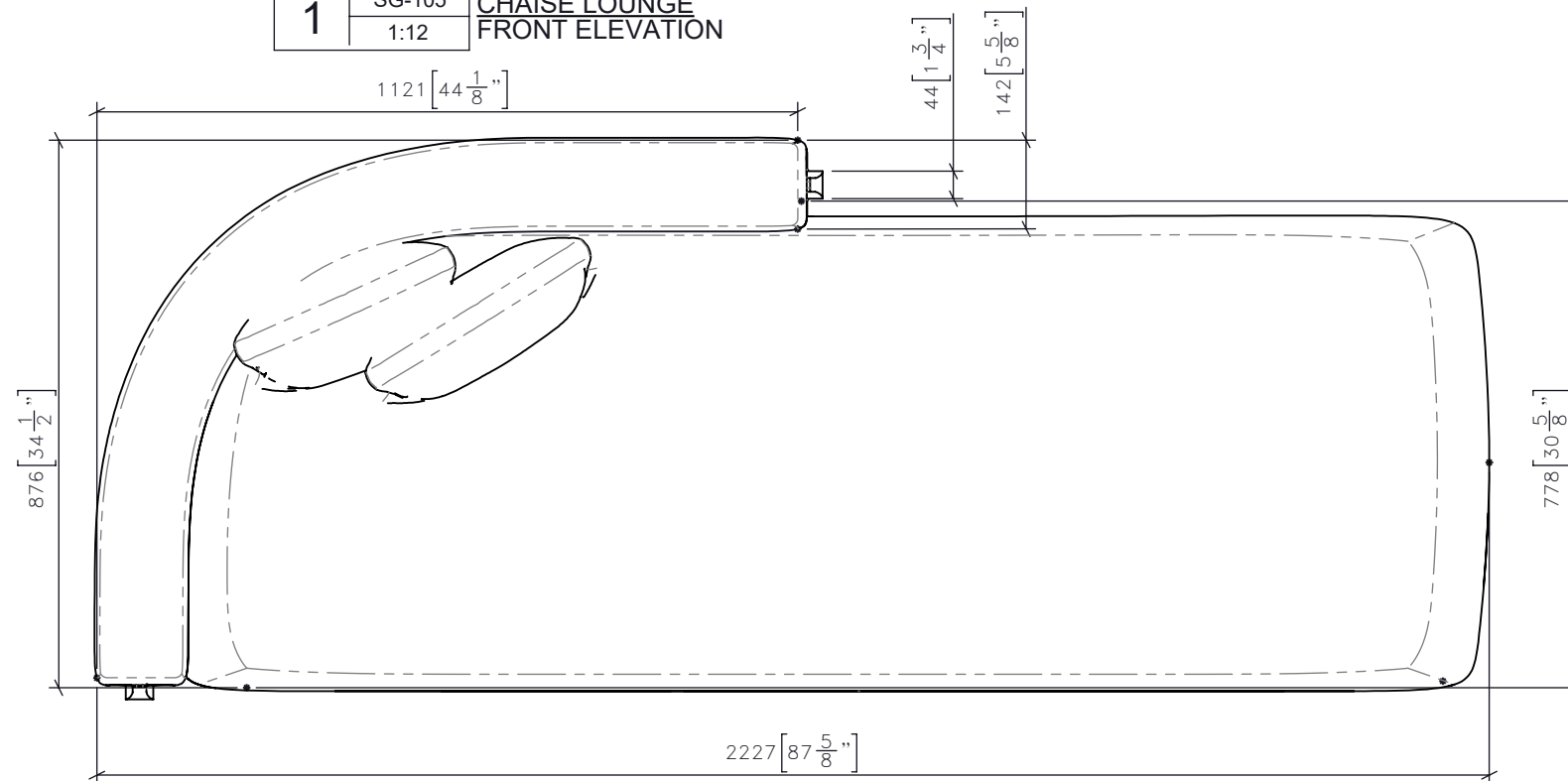
-REV/	-ISSUED FOR	-DATE



1 | SG-105 | CHAISE LOUNGE
1:12 | FRONT ELEVATION



3 | SG-105 | CHAISE LOUNGE
1:12 | SIDE ELEVATION



2 | SG-105 | CHAISE LOUNGE
1:12 | PLAN

STUDIO MUNGE
25 WINGOLD AVENUE
TORONTO, ONTARIO
M6B 1P8 CANADA
416.588.1668
STUDIOMUNGE.COM

-SCALE AS NOTED
-DATE 2/24/20

-DRAWN BY LS
-CHECKED BY

-PROJECT NAME
DIAOYUTAI QINGDAO

-DRAWING TITLE
SG-105
CHAISE LOUNGE

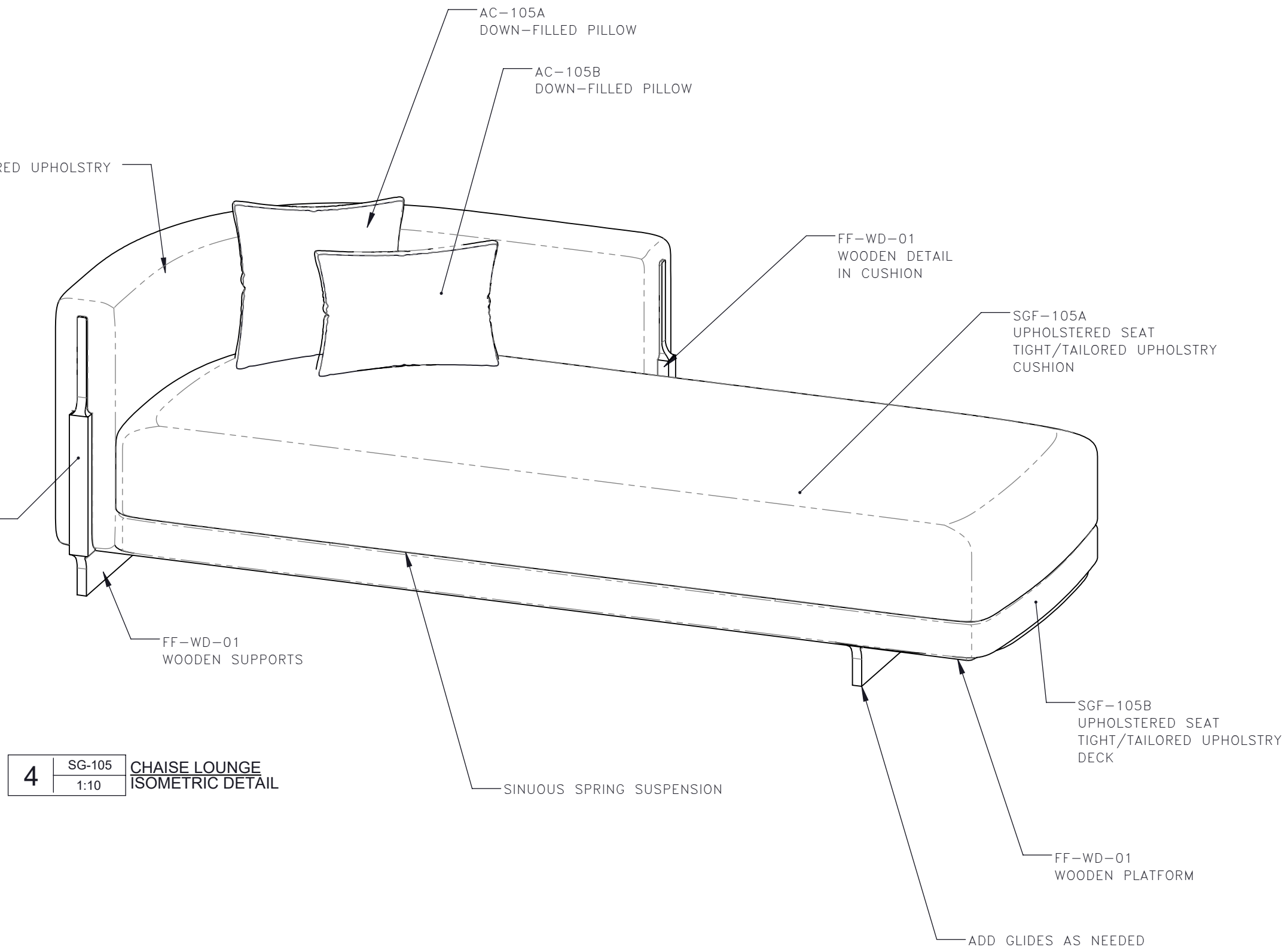
-PROJECT NUMBER
19118

-DRAWING NUMBER
1 / 3

-REV/	-ISSUED FOR	-DATE

STUDIO MUNGE
 25 WINGOLD AVENUE
 TORONTO, ONTARIO
 M6B 1P8 CANADA
 416.588.1668
 STUDIOMUNGE.COM

-SCALE AS NOTED	-DATE 2/24/20
-DRAWN BY LS	-CHECKED BY
-PROJECT NAME DIAOYUTAI QINGDAO	
-DRAWING TITLE SG-105 CHAISE LOUNGE	
-PROJECT NUMBER 19118	
-DRAWING NUMBER 2 / 3	



4	SG-105	CHAISE LOUNGE ISOMETRIC DETAIL
	1:10	

STUDIO MUNGE
E
D
C
B
A
Y

FOR DESIGN INTENT ONLY

DRAWING ARE NOT TO BE SCALED. CONTRACTOR MUST CHECK AND VERIFY ALL JOB DIMENSIONS, DRAWINGS, DETAILS AND SPECIFICATIONS; AND REPORT ANY DISCREPANCIES TO DESIGNER BEFORE PROCEEDING WITH WORK.

-REV/	-ISSUED FOR	-DATE



5	SG-105	CHAISE LOUNGE RENDERED VEIW
	1:8	

**STUDIO
MUNGE**
25 WINGOLD AVENUE
TORONTO, ONTARIO
M6B 1P8 CANADA
416.588.1668
STUDIOMUNGE.COM

-SCALE
AS NOTED

-DATE
2/24/20

-DRAWN BY
LS

-CHECKED BY

-PROJECT NAME

DIAOYUTAI QINGDAO

-DRAWING TITLE

SG-105
CHAISE LOUNGE

-PROJECT NUMBER
19118

-DRAWING NUMBER
3 / 3