

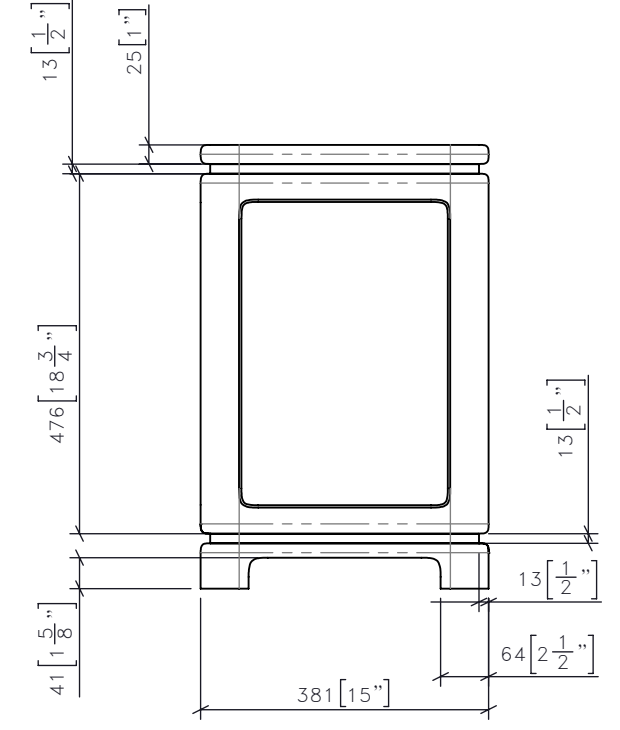
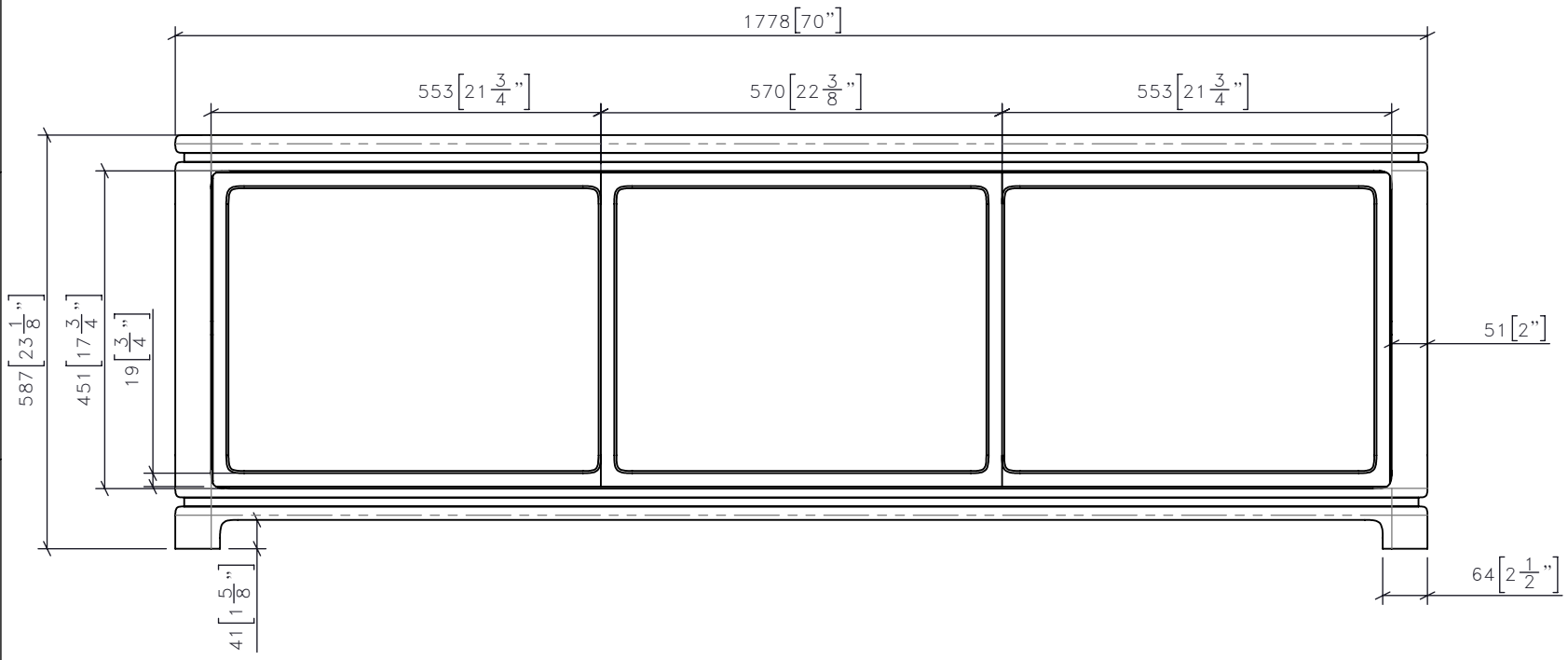
STUDIO MUNGE

NOTE - MANUFACTURE TO SITE VERIFY FITMENT OF COMPONENTS IN ELEVATORS AND DOORWAYS

FOR DESIGN INTENT ONLY

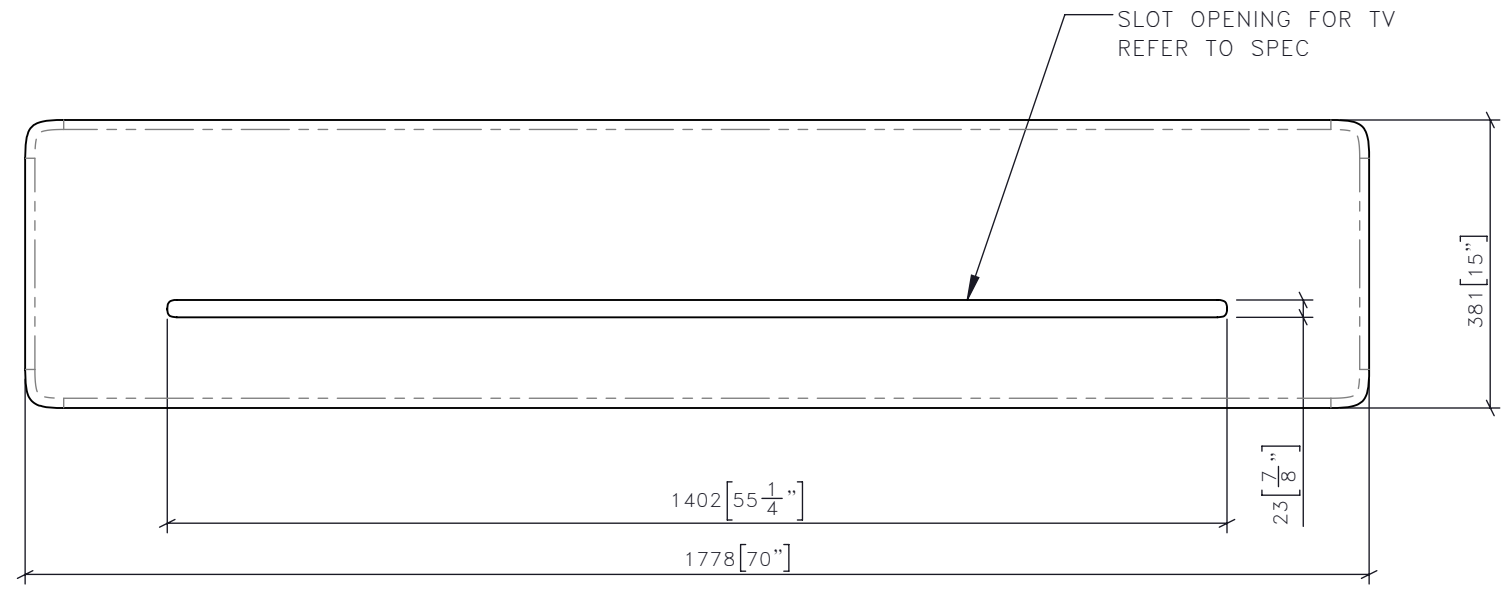
DRAWING ARE NOT TO BE SCALED. CONTRACTOR MUST CHECK AND VERIFY ALL JOB DIMENSIONS, DRAWINGS, DETAILS AND SPECIFICATIONS; AND REPORT ANY DISCREPANCIES TO DESIGNER BEFORE PROCEEDING WITH WORK.

-REV/	-ISSUED FOR	-DATE



**1** CG-306 TV CABINET FRONT ELEVATION  
1:10

**3** CG-306 TV CABINET SIDE ELEVATION  
1:10



**2** CG-306 TV CABINET PLAN  
1:10

**STUDIO MUNGE**  
25 WINGOLD AVENUE  
TORONTO, ONTARIO  
M6B 1P8 CANADA  
416.588.1668  
STUDIOMUNGE.COM

-SCALE AS NOTED	-DATE 2/25/20
-DRAWN BY RC	-CHECKED BY
-PROJECT NAME	
PROJECT TITLE	
-DRAWING TITLE	
CG-306 TV CABINET	
-PROJECT NUMBER XXXXXX	
-DRAWING NUMBER 1 / 4	

STUDIO MUNGE

NOTE - MANUFACTURE TO SITE VERIFY FITMENT OF COMPONENTS IN ELEVATORS AND DOORWAYS

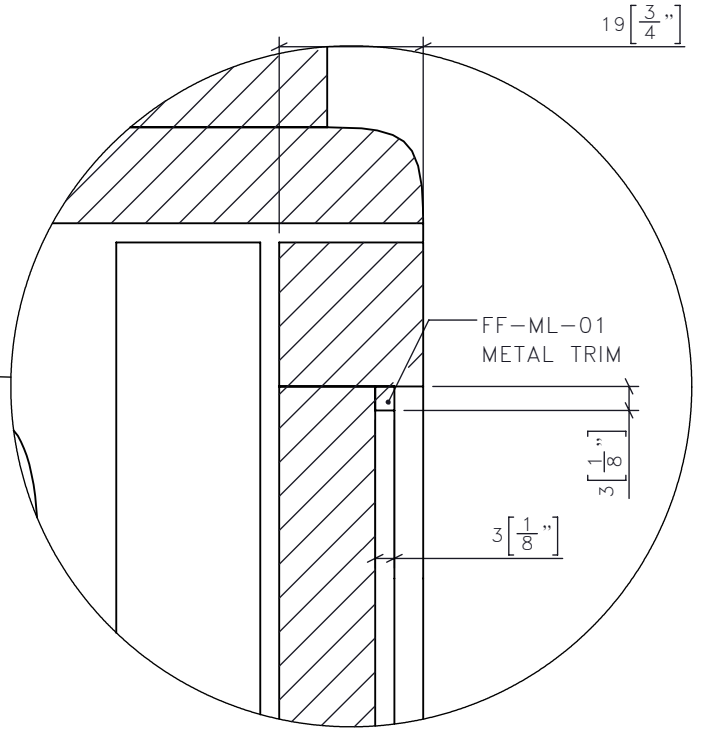
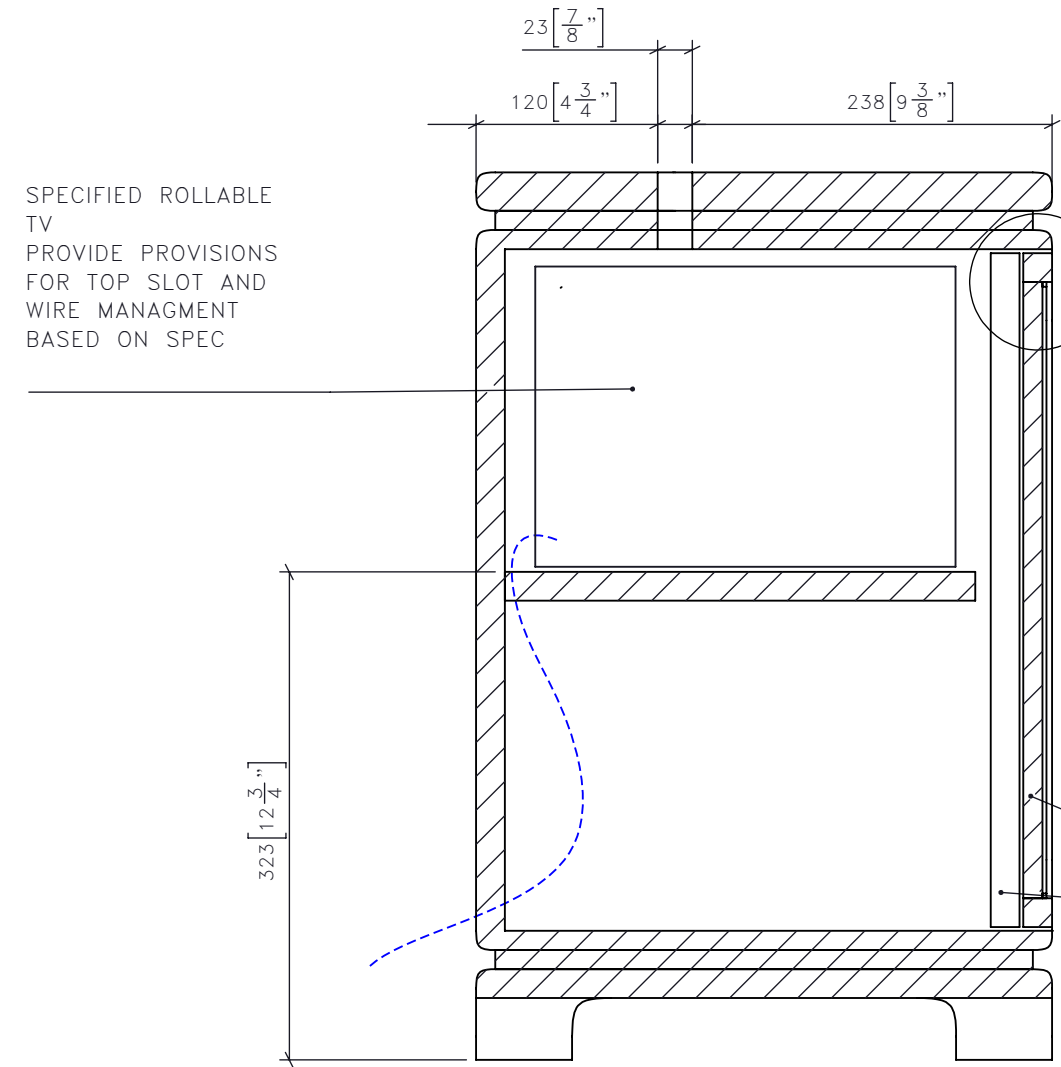
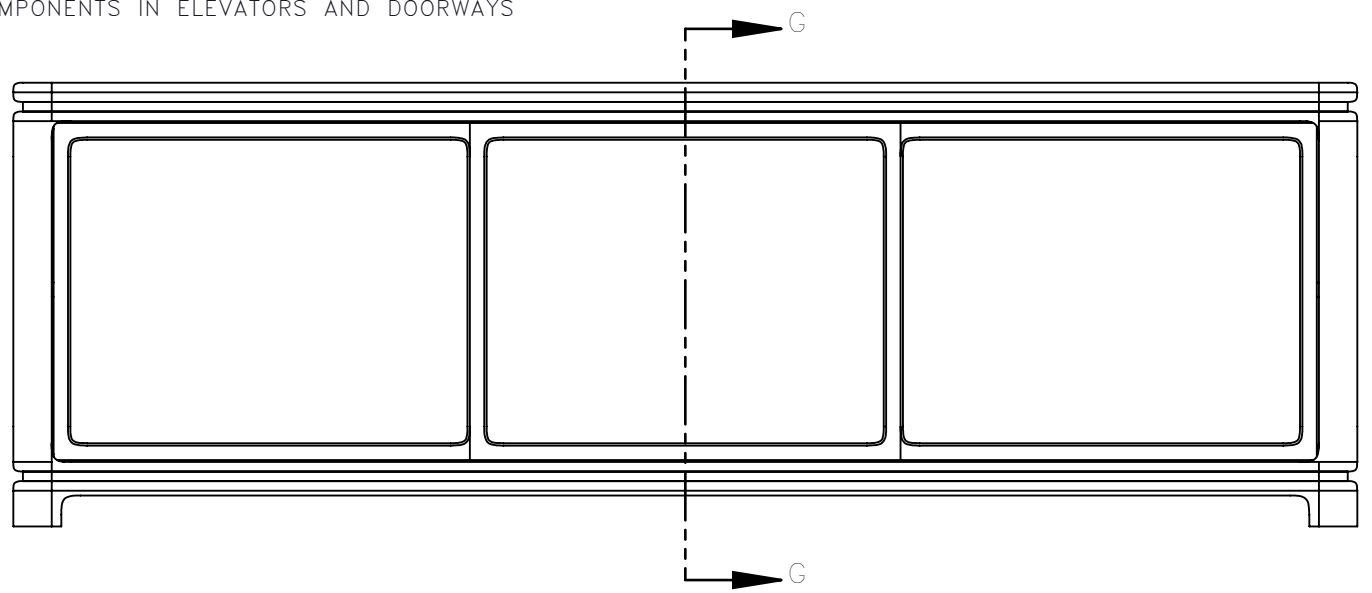
FOR DESIGN INTENT ONLY

DRAWING ARE NOT TO BE SCALED. CONTRACTOR MUST CHECK AND VERIFY ALL JOB DIMENSIONS, DRAWINGS, DETAILS AND SPECIFICATIONS; AND REPORT ANY DISCREPANCIES TO DESIGNER BEFORE PROCEEDING WITH WORK.

-REV/	-ISSUED FOR	-DATE

**STUDIO MUNGE**  
 25 WINGOLD AVENUE  
 TORONTO, ONTARIO  
 M6B 1P8 CANADA  
 416.588.1668  
 STUDIOMUNGE.COM

-SCALE AS NOTED	-DATE 2/25/20
-DRAWN BY RC	-CHECKED BY
-PROJECT NAME	
PROJECT TITLE	
-DRAWING TITLE	
CG-306 TV CABINET	
-PROJECT NUMBER XXXXXX	
-DRAWING NUMBER 2 / 4	



SPECIFIED ROLLABLE TV  
 PROVIDE PROVISIONS FOR TOP SLOT AND WIRE MANAGEMENT BASED ON SPEC

SLIDING DOORS LAYERED

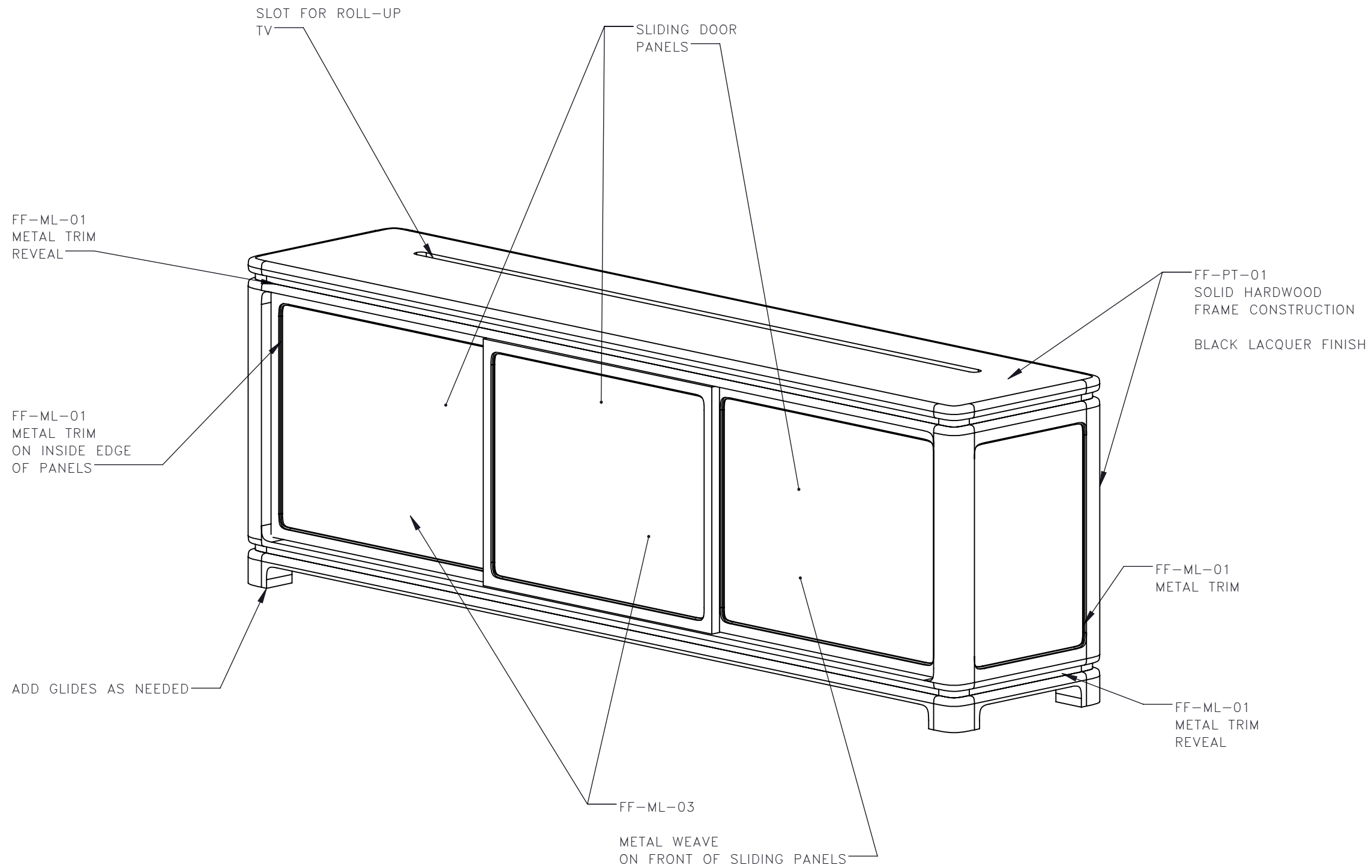
**4** CG-306 TV CABINET SECTION G-G  
 1:10

STUDIO MUNGE

FOR DESIGN INTENT ONLY

DRAWING ARE NOT TO BE SCALED. CONTRACTOR MUST CHECK AND VERIFY ALL JOB DIMENSIONS, DRAWINGS, DETAILS AND SPECIFICATIONS; AND REPORT ANY DISCREPANCIES TO DESIGNER BEFORE PROCEEDING WITH WORK.

-REV/	-ISSUED FOR	-DATE



**STUDIO MUNGE**  
 25 WINGOLD AVENUE  
 TORONTO, ONTARIO  
 M6B 1P8 CANADA  
 416.588.1668  
 STUDIOMUNGE.COM

**-SCALE**  
AS NOTED

**-DATE**  
2/25/20

**-DRAWN BY**  
AM

**-CHECKED BY**

**-PROJECT NAME**

**PROJECT TITLE**

**-DRAWING TITLE**

CG-306  
TV CABINET

**-PROJECT NUMBER**  
XXXXXX

**-DRAWING NUMBER**  
3 / 4

**5** | CG-306 | TV CABINET  
1:8 | ISOMETRIC FRONT

STUDIO MUNGE  
E  
F  
D  
C  
B  
A  
Y

1 2 3 4 5 6

FOR DESIGN INTENT ONLY

DRAWING ARE NOT TO BE SCALED. CONTRACTOR MUST CHECK AND VERIFY ALL JOB DIMENSIONS, DRAWINGS, DETAILS AND SPECIFICATIONS; AND REPORT ANY DISCREPANCIES TO DESIGNER BEFORE PROCEEDING WITH WORK.

-REV/	-ISSUED FOR	-DATE



**STUDIO  
MUNGE**  
25 WINGOLD AVENUE  
TORONTO, ONTARIO  
M6B 1P8 CANADA  
416.588.1668  
STUDIOMUNGE.COM

**-SCALE**  
AS NOTED

**-DATE**  
2/25/20

**-DRAWN BY**  
AM

**-CHECKED BY**

**-PROJECT NAME**

PROJECT TITLE

**-DRAWING TITLE**

CG-306  
TV CABINET

**-PROJECT NUMBER**  
XXXXXX

**-DRAWING NUMBER**  
4 / 4

6	CG-306	TV CABINET
	1:8	RENDERED VIEW

1 2 3 4 5 6