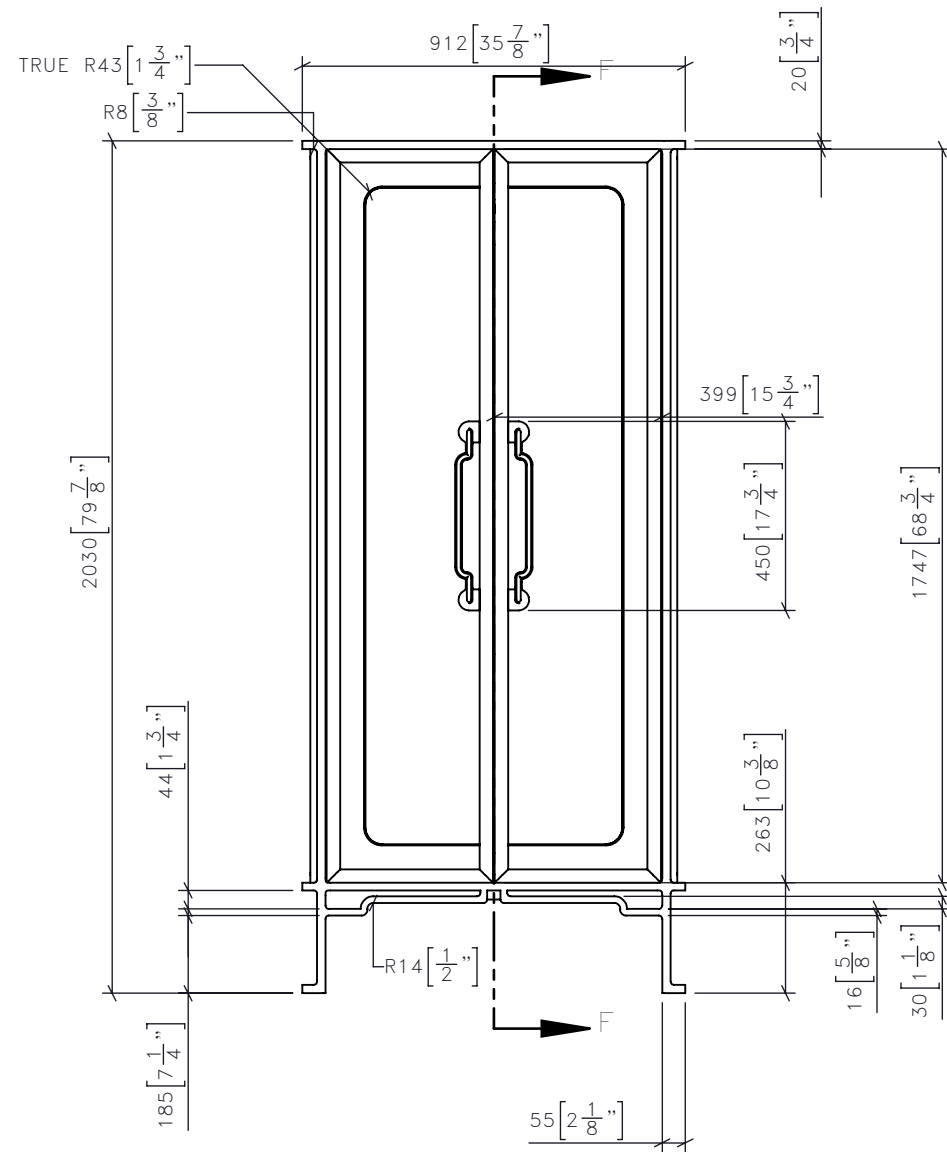
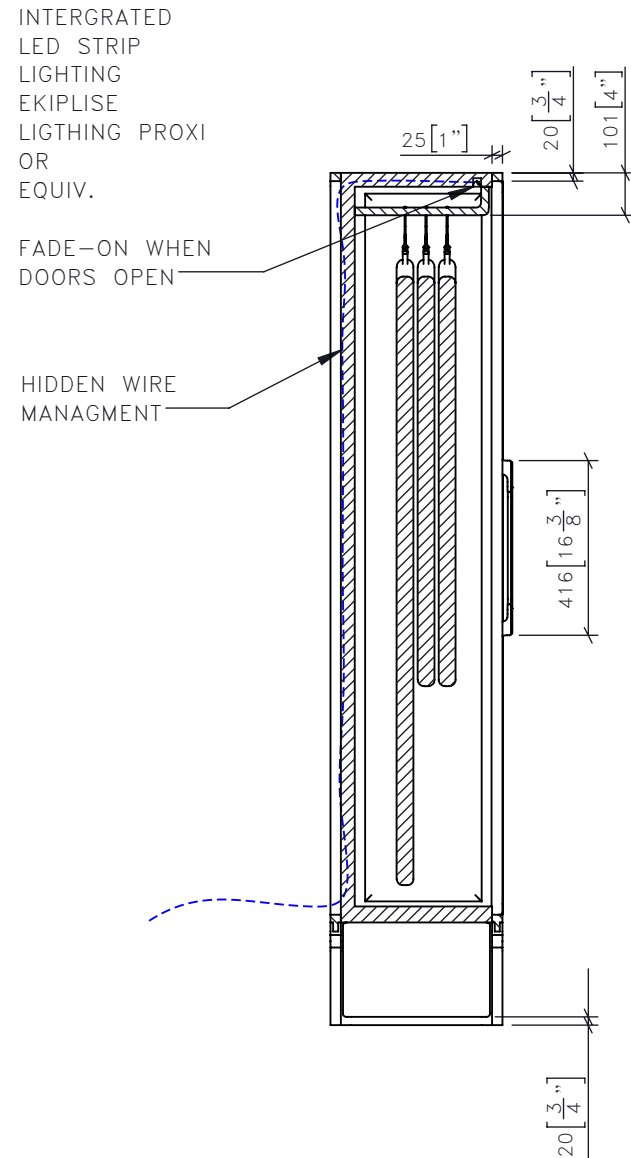


FOR DESIGN INTENT ONLY

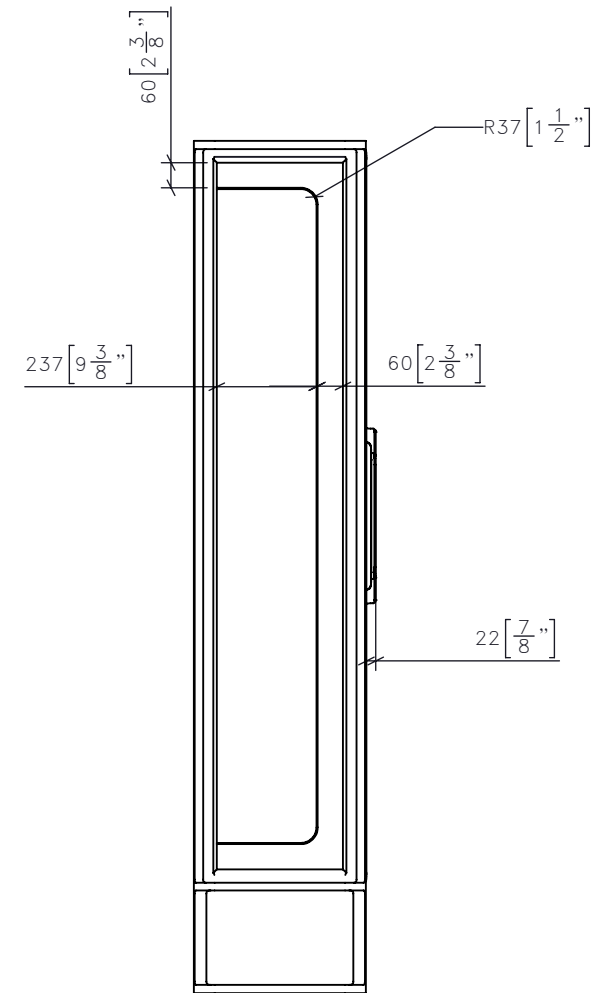
DRAWING ARE NOT TO BE SCALED. CONTRACTOR MUST CHECK AND VERIFY ALL JOB DIMENSIONS, DRAWINGS, DETAILS AND SPECIFICATIONS; AND REPORT ANY DISCREPANCIES TO DESIGNER BEFORE PROCEEDING WITH WORK.



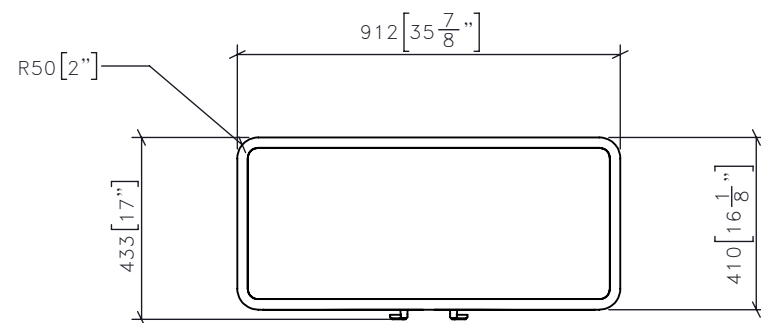
**1** CG-302 FOYER CLOSET FRONT ELEVATION  
1:18



**3** CG-302 FOYER CLOSET SECTION F-F  
1:18



**4** CG-302 FOYER CLOSET SIDE ELEVATION  
1:18



**2** CG-302 FOYER CLOSET PLAN  
1:18

-REV	-ISSUED FOR	-DATE

**STUDIO MUNGE**  
25 WINGOLD AVENUE  
TORONTO, ONTARIO  
M6B 1P8 CANADA  
416.588.1668  
STUDIOMUNGE.COM

-SCALE AS NOTED	-DATE 2/26/20
-DRAWN BY RC	-CHECKED BY
-PROJECT NAME  DIAOYUTAI QINGDAO	
-DRAWING TITLE  CG-302 FOYER CLOSET	
-PROJECT NUMBER 19118	
-DRAWING NUMBER 1 / 5	

STUDIO MUNGE

FOR DESIGN INTENT ONLY

DRAWING ARE NOT TO BE SCALED. CONTRACTOR MUST CHECK AND VERIFY ALL JOB DIMENSIONS, DRAWINGS, DETAILS AND SPECIFICATIONS; AND REPORT ANY DISCREPANCIES TO DESIGNER BEFORE PROCEEDING WITH WORK.

-REV/	-ISSUED FOR	-DATE

SGF-302A  
RED LEATHER INTERIOR  
SINGLE TOP STITCH

FF-ML-01  
METAL HANGING  
ROD

NOTE: EASE ALL METAL EDGES

FF-ML-01  
METAL TRIM  
DETAIL ON ALL  
OUTSIDE EDGES

PROVIDE HIDDEN  
BRACKET TO SECURE  
CASE TO FINISHED  
WALL

CLEAR MIRROR  
INSET INTO  
INSIDE OF DOOR

SQUARE TUBE PROFILE  
18X18

CLEAR MIRROR  
INSET INTO  
INSIDE OF DOOR

FF-ML-01  
CUSTOM HANDLE

FF-PT-01  
WOODEN PANEL  
DOOR PAINTED  
BLACK LACQUER

ADJUSTABLE SOSS HINGES  
BLACK FINISH

3MM V-GROVE

3MM V-GROVE

1683 [66 1/4"]

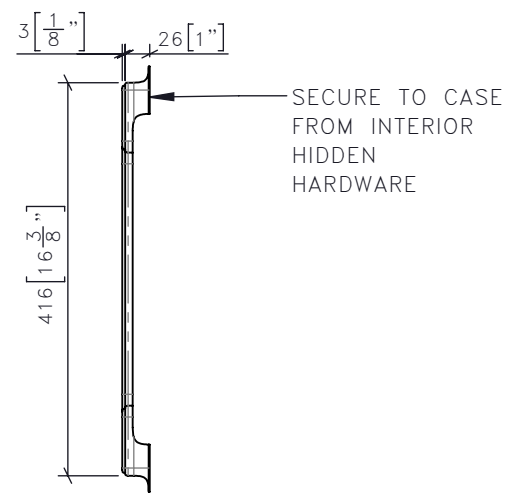
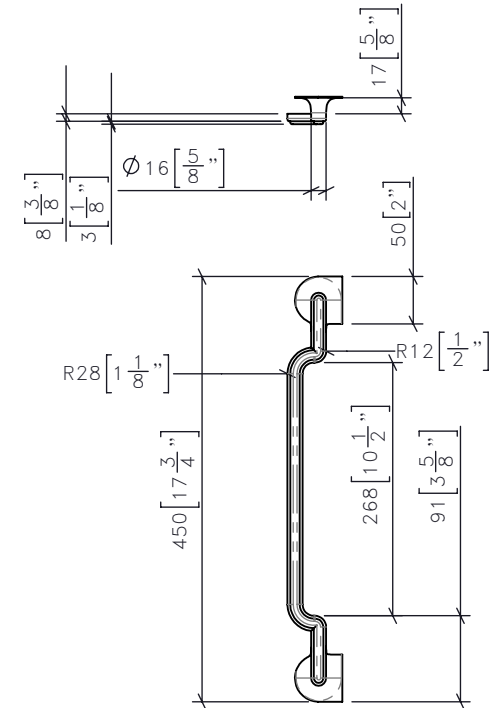
332 [13 1/8"]

ADD GLIDES AS NEEDED

FF-ML-01  
METAL LEGS  
ADD GLIDES ASS NEEDED

**4** CG-302  
1:20 Foyer Closet  
ISOMETRIC DETAIL (OPEN)

**5** CG-302  
1:20 Foyer Closet  
ISOMETRIC DETAIL



**6** CG-302  
1:20 Foyer Closet  
ISOMETRIC DETAIL (OPEN)

**STUDIO  
MUNGE** 25 WINGOLD AVENUE  
TORONTO, ONTARIO  
M6B 1P8 CANADA  
416.588.1668  
STUDIOMUNGE.COM

**-SCALE**  
AS NOTED **-DATE**  
2/26/20

**-DRAWN BY**  
LS **-CHECKED BY**

**-PROJECT NAME**  
DIAOYUTAI QINGDAO

**-DRAWING TITLE**  
CG-302  
FOYER CLOSET

**-PROJECT NUMBER**  
19118

**-DRAWING NUMBER**  
2 / 5

STUDIO MUNGE  
E  
D  
C  
B  
A  
Y

FOR DESIGN INTENT ONLY

DRAWING ARE NOT TO BE SCALED. CONTRACTOR MUST CHECK AND VERIFY ALL JOB DIMENSIONS, DRAWINGS, DETAILS AND SPECIFICATIONS; AND REPORT ANY DISCREPANCIES TO DESIGNER BEFORE PROCEEDING WITH WORK.



-REV	-ISSUED FOR	-DATE

**STUDIO MUNGE**  
25 WINGOLD AVENUE  
TORONTO, ONTARIO  
M6B 1P8 CANADA  
416.588.1668  
STUDIOMUNGE.COM

**-SCALE**  
AS NOTED

**-DATE**  
2/26/20

**-DRAWN BY**  
LS

**-CHECKED BY**

**-PROJECT NAME**  
  
DIAOYUTAI QINGDAO

**-DRAWING TITLE**  
  
CG-302  
FOYER CLOSET

**-PROJECT NUMBER**  
19118

**-DRAWING NUMBER**  
3 / 5

**4** | CG-302 | **FOYER CLOSET**  
1:12 | ISOMETRIC FRONT

STUDIO MUNGE  
E  
F  
D  
C  
B  
A  
Y

FOR DESIGN INTENT ONLY

DRAWING ARE NOT TO BE SCALED. CONTRACTOR MUST CHECK AND VERIFY ALL JOB DIMENSIONS, DRAWINGS, DETAILS AND SPECIFICATIONS; AND REPORT ANY DISCREPANCIES TO DESIGNER BEFORE PROCEEDING WITH WORK.



-REV/	-ISSUED FOR	-DATE

**STUDIO MUNGE**  
25 WINGOLD AVENUE  
TORONTO, ONTARIO  
M6B 1P8 CANADA  
416.588.1668  
STUDIOMUNGE.COM

**-SCALE**  
AS NOTED

**-DATE**  
2/26/20

**-DRAWN BY**  
LS

**-CHECKED BY**

**-PROJECT NAME**

DIAOYUTAI QINGDAO

**-DRAWING TITLE**

CG-302  
FOYER CLOSET

**-PROJECT NUMBER**  
19118

**-DRAWING NUMBER**  
4 / 5

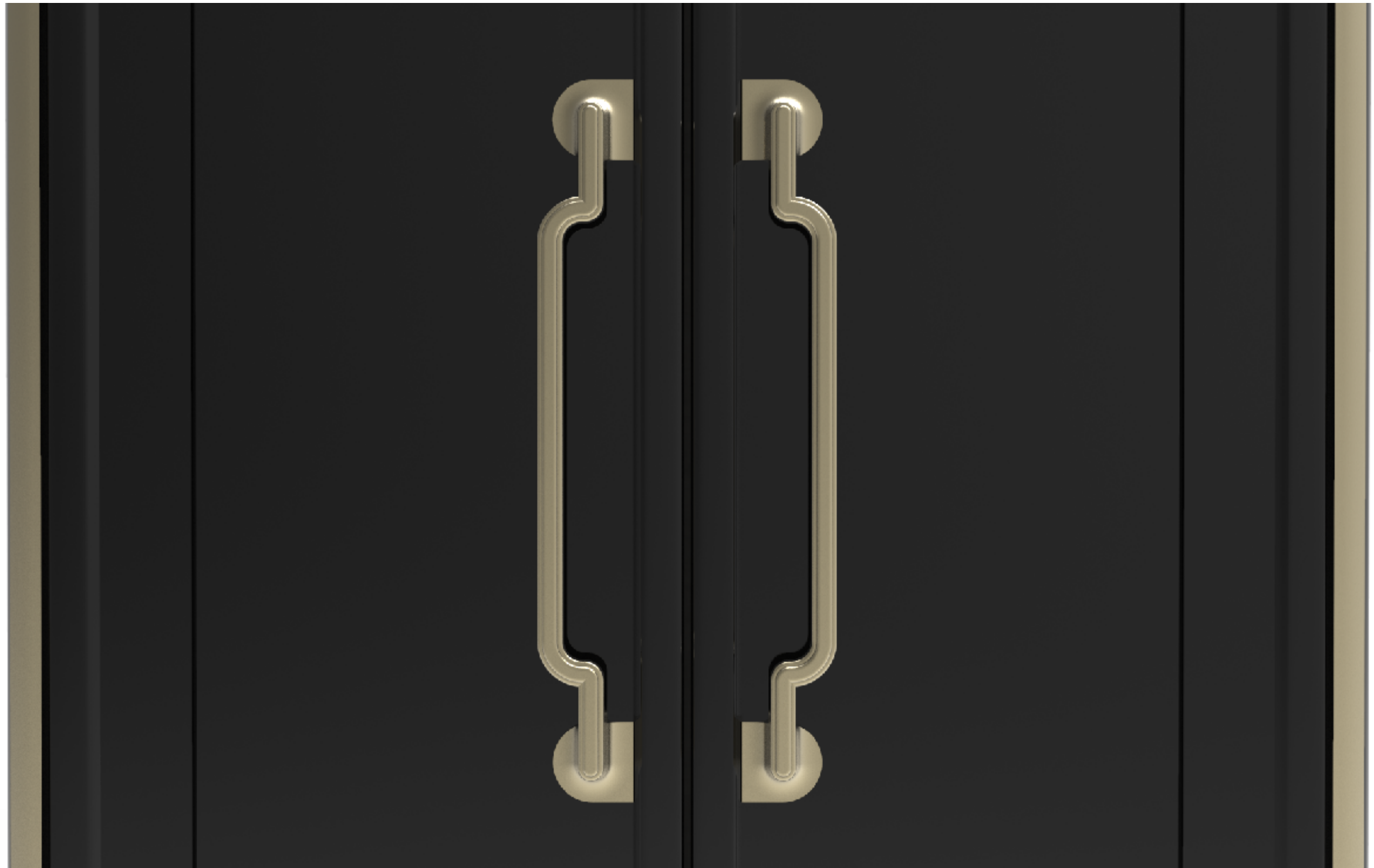
**4** | CG-302 | **FOYER CLOSET**  
1:12 | Drawing View6

STUDIO MUNGE  
Y  
E  
F  
D  
C  
B  
A  
Y

FOR DESIGN INTENT ONLY

DRAWING ARE NOT TO BE SCALED. CONTRACTOR MUST CHECK AND VERIFY ALL JOB DIMENSIONS, DRAWINGS, DETAILS AND SPECIFICATIONS; AND REPORT ANY DISCREPANCIES TO DESIGNER BEFORE PROCEEDING WITH WORK.

-REV/	-ISSUED FOR	-DATE



**STUDIO MUNGE**  
25 WINGOLD AVENUE  
TORONTO, ONTARIO  
M6B 1P8 CANADA  
416.588.1668  
STUDIOMUNGE.COM

**-SCALE**  
AS NOTED

**-DATE**  
2/26/20

**-DRAWN BY**  
LS

**-CHECKED BY**

**-PROJECT NAME**  
  
DIAOYUTAI QINGDAO

**-DRAWING TITLE**  
  
CG-302  
FOYER CLOSET

**-PROJECT NUMBER**  
19118

**-DRAWING NUMBER**  
5 / 5

**4** | CG-302 | **FOYER CLOSET**  
1:12 | Drawing View7