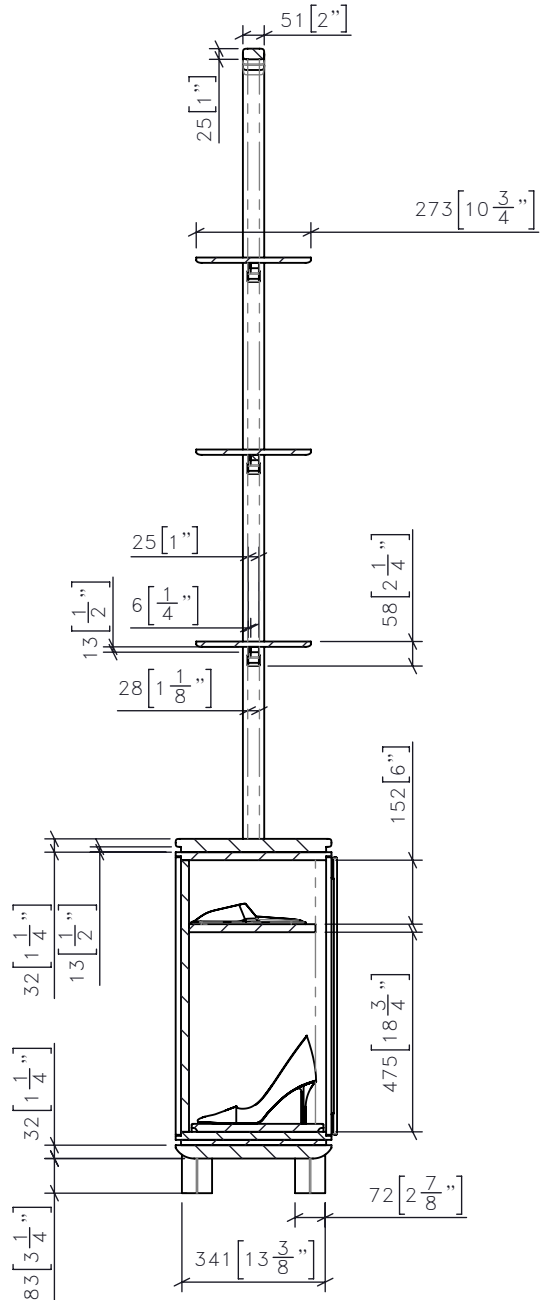
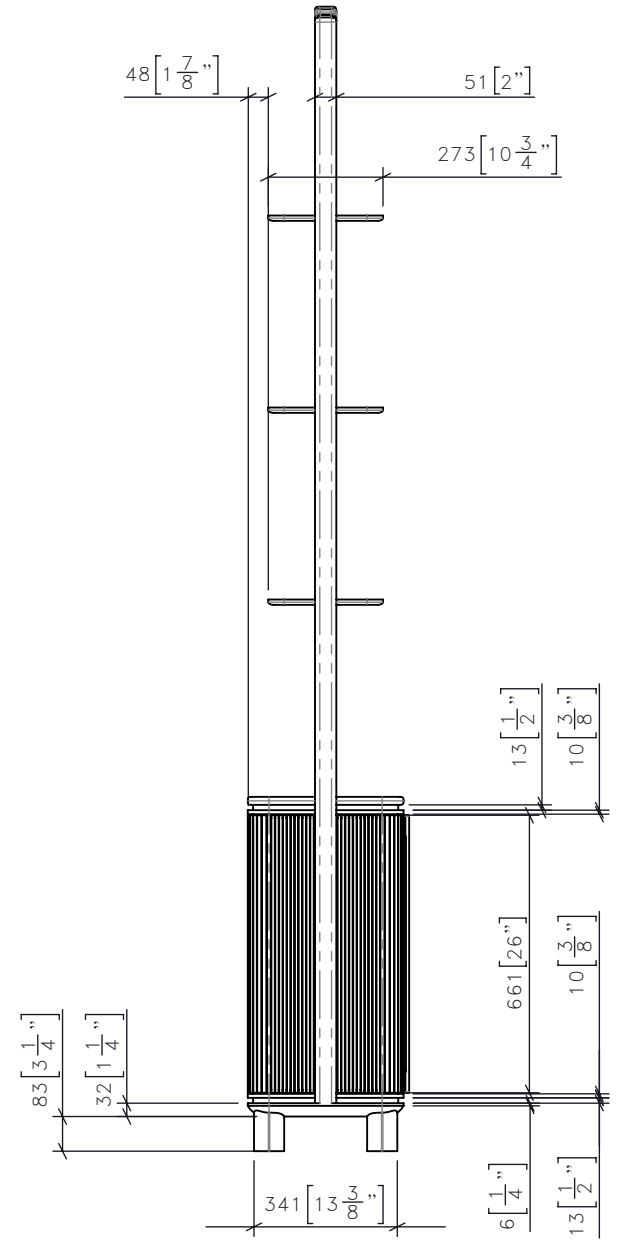


1 CG-301 SHOE CABINET FRONT ELEVATION
1:18

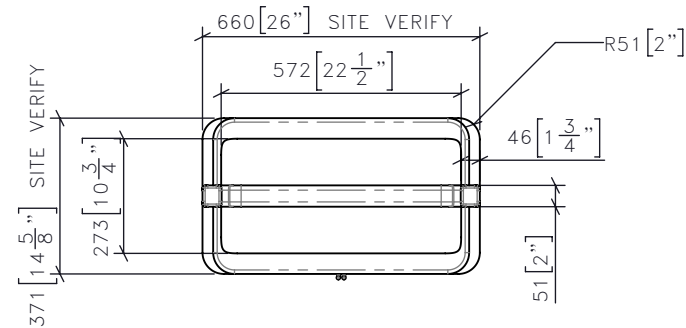


3 CG-301 SHOE CABINET SECTION G-G
1:18

FOR DESIGN INTENT ONLY



4 CG-301 SHOE CABINET SIDE ELEVATION
1:18



2 CG-301 SHOE CABINET PLAN
1:18

DRAWING ARE NOT TO BE SCALED. CONTRACTOR MUST CHECK AND VERIFY ALL JOB DIMENSIONS, DRAWINGS, DETAILS AND SPECIFICATIONS; AND REPORT ANY DISCREPANCIES TO DESIGNER BEFORE PROCEEDING WITH WORK.

-REV/	-ISSUED FOR	-DATE

STUDIO MUNGE
25 WINGOLD AVENUE
TORONTO, ONTARIO
M6B 1P8 CANADA
416.588.1668
STUDIOMUNGE.COM

-SCALE AS NOTED
-DATE 10/27/20

-DRAWN BY RC
-CHECKED BY

-PROJECT NAME

DIAOYUTAI QINGDAO

-DRAWING TITLE

CG-301 SHOE CABINET

-PROJECT NUMBER 191181

-DRAWING NUMBER 1 / 5

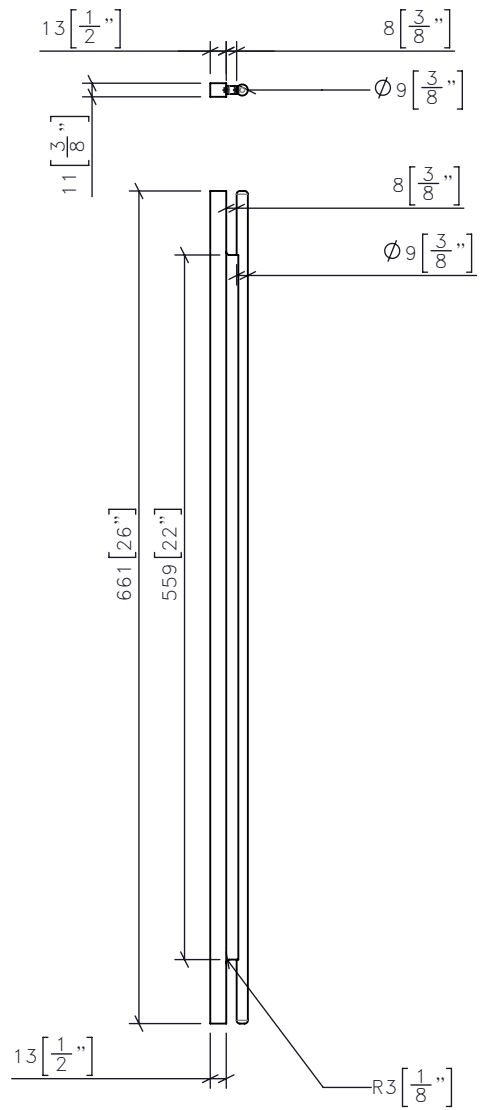
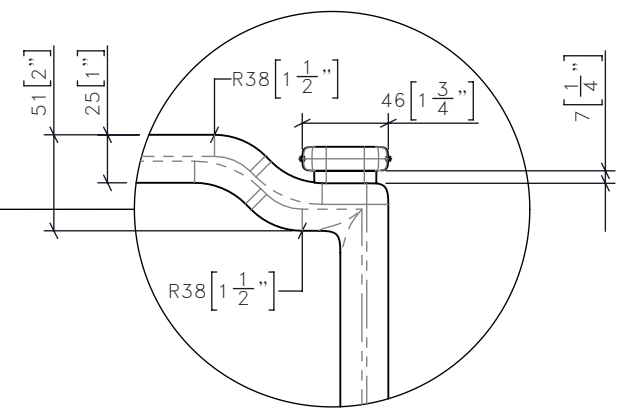
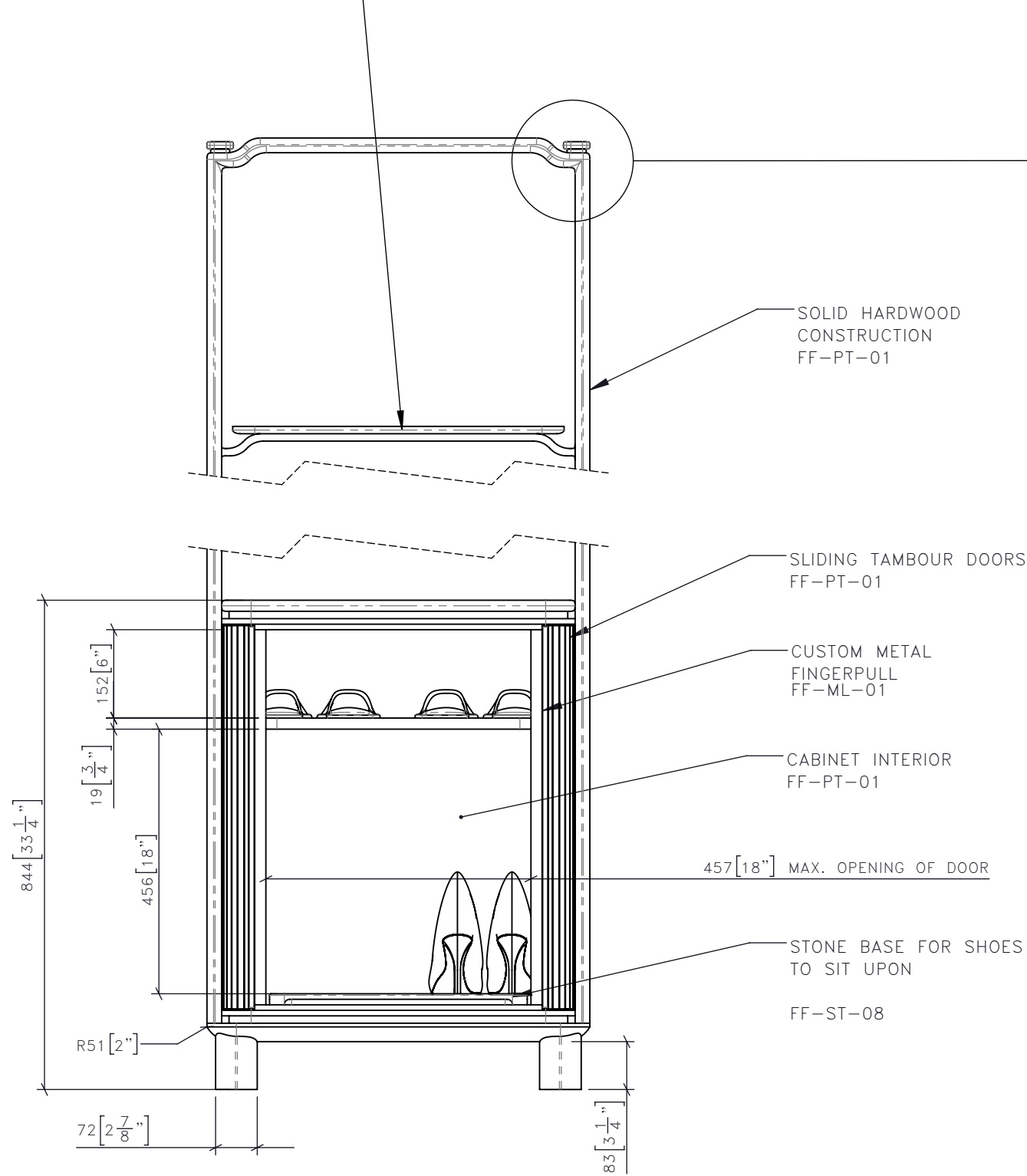
STUDIO MUNGE

METAL STRETCHERS
TO SUPPORT WOODEN SHELVING

FOR DESIGN INTENT ONLY

DRAWING ARE NOT TO BE SCALED. CONTRACTOR MUST CHECK AND VERIFY ALL JOB DIMENSIONS, DRAWINGS, DETAILS AND SPECIFICATIONS; AND REPORT ANY DISCREPANCIES TO DESIGNER BEFORE PROCEEDING WITH WORK.

-REV/	-ISSUED FOR	-DATE



4 CG-301 SHOE CABINET
1:10 FRONT ELEVATION (OPEN)

5 CG-301 SHOE CABINET
1:10 CUSTOM FINGER PULL

STUDIO MUNGE
 25 WINGOLD AVENUE
 TORONTO, ONTARIO
 M6B 1P8 CANADA
 416.588.1668
 STUDIOMUNGE.COM

-SCALE AS NOTED	-DATE 10/27/20
-DRAWN BY RC	-CHECKED BY
-PROJECT NAME DIAOYUTAI QINGDAO	
-DRAWING TITLE CG-301 SHOE CABINET	
-PROJECT NUMBER 191181	
-DRAWING NUMBER 2 / 5	

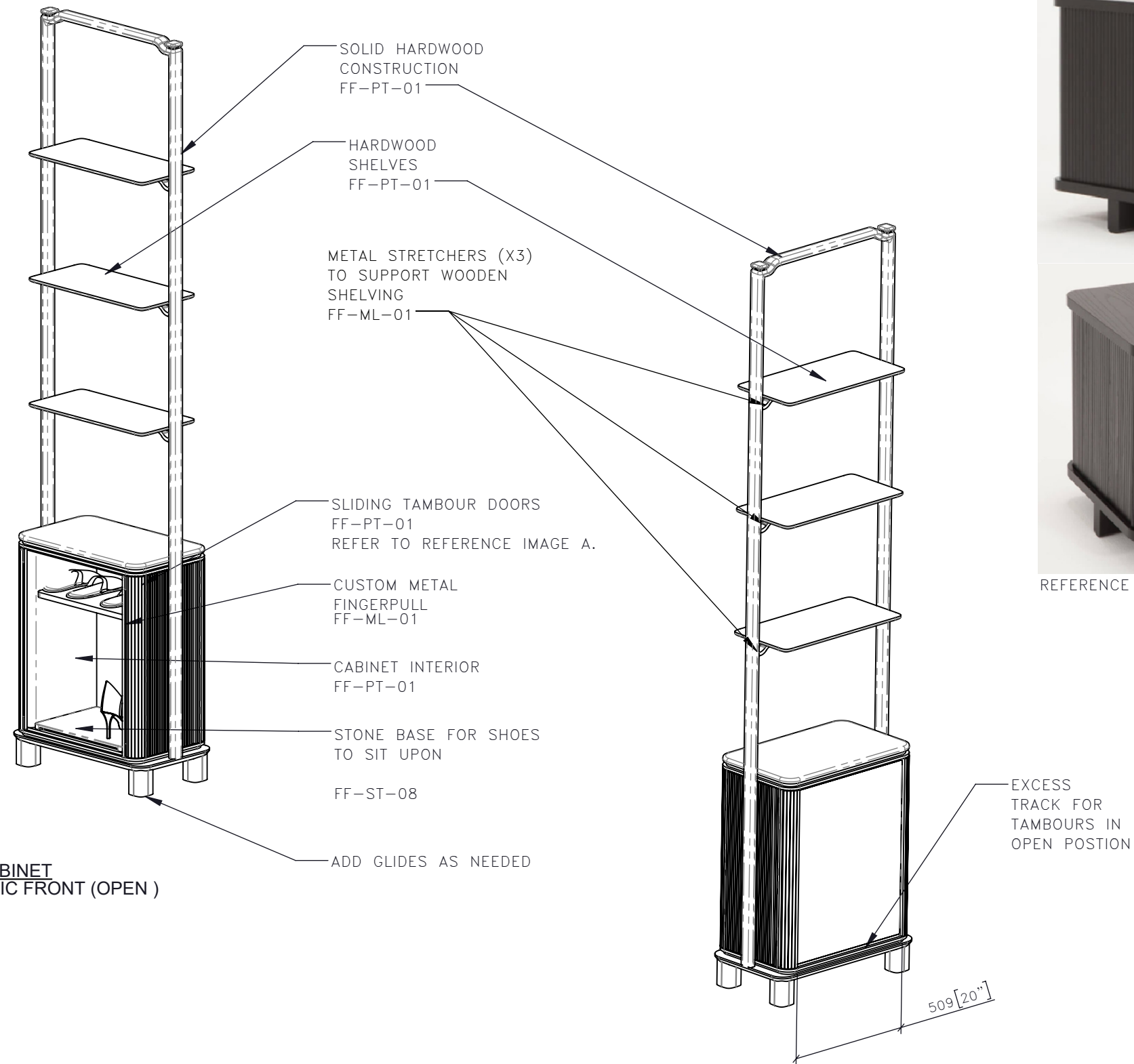
FOR DESIGN INTENT ONLY

DRAWING ARE NOT TO BE SCALED. CONTRACTOR MUST CHECK AND VERIFY ALL JOB DIMENSIONS, DRAWINGS, DETAILS AND SPECIFICATIONS; AND REPORT ANY DISCREPANCIES TO DESIGNER BEFORE PROCEEDING WITH WORK.

-REV/	-ISSUED FOR	-DATE



REFERENCE IMAGE A.



-SCALE AS NOTED	-DATE 10/27/20
-DRAWN BY RC	-CHECKED BY
-PROJECT NAME	
DIAOYUTAI QINGDAO	
-DRAWING TITLE	
CG-301 SHOE CABINET	
-PROJECT NUMBER	
191181	
-DRAWING NUMBER	
3 / 5	

7 CG-301 SHOE CABINET
1:18 ISOMETRIC FRONT (OPEN)

8 CG-301 SHOE CABINET
1:18 ISOMETRIC REAR (CLOSED)

STUDIO MUNGE
E
D
C
B
A
Y

FOR DESIGN INTENT ONLY

DRAWING ARE NOT TO BE SCALED. CONTRACTOR MUST CHECK AND VERIFY ALL JOB DIMENSIONS, DRAWINGS, DETAILS AND SPECIFICATIONS; AND REPORT ANY DISCREPANCIES TO DESIGNER BEFORE PROCEEDING WITH WORK.

-REV/	-ISSUED FOR	-DATE

STUDIO MUNGE
25 WINGOLD AVENUE
TORONTO, ONTARIO
M6B 1P8 CANADA
416.588.1668
STUDIOMUNGE.COM

-SCALE
AS NOTED

-DATE
10/27/20

-DRAWN BY
RC

-CHECKED BY

-PROJECT NAME

DIAOYUTAI QINGDAO

-DRAWING TITLE

CG-301
SHOE CABINET

-PROJECT NUMBER

191181

-DRAWING NUMBER

4 / 5



10 | CG-301 | SHOE CABINET
1:18 | RENDERED VIEW (CLOSED)

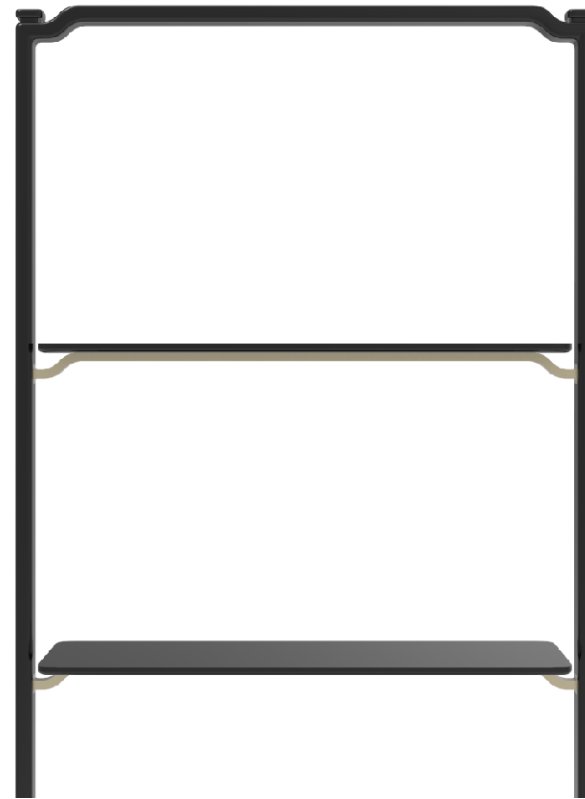
STUDIO MUNGE
E
D
C
B
A
Y

FOR DESIGN INTENT ONLY

DRAWING ARE NOT TO BE SCALED. CONTRACTOR MUST CHECK AND VERIFY ALL JOB DIMENSIONS, DRAWINGS, DETAILS AND SPECIFICATIONS; AND REPORT ANY DISCREPANCIES TO DESIGNER BEFORE PROCEEDING WITH WORK.

-REV/	-ISSUED FOR	-DATE

11 CG-301 SHOE CABINET
1:18 RENDERED VIEW (SHELF DETAIL)



12 CG-301 SHOE CABINET
1:18 RENDERED VIEW (OPEN CABINET)



STUDIO MUNGE
25 WINGOLD AVENUE
TORONTO, ONTARIO
M6B 1P8 CANADA
416.588.1668
STUDIOMUNGE.COM

-SCALE AS NOTED -DATE 10/27/20

-DRAWN BY RC -CHECKED BY

-PROJECT NAME
DIAOYUTAI QINGDAO

-DRAWING TITLE
CG-301
SHOE CABINET

-PROJECT NUMBER
191181

-DRAWING NUMBER
5 / 5