

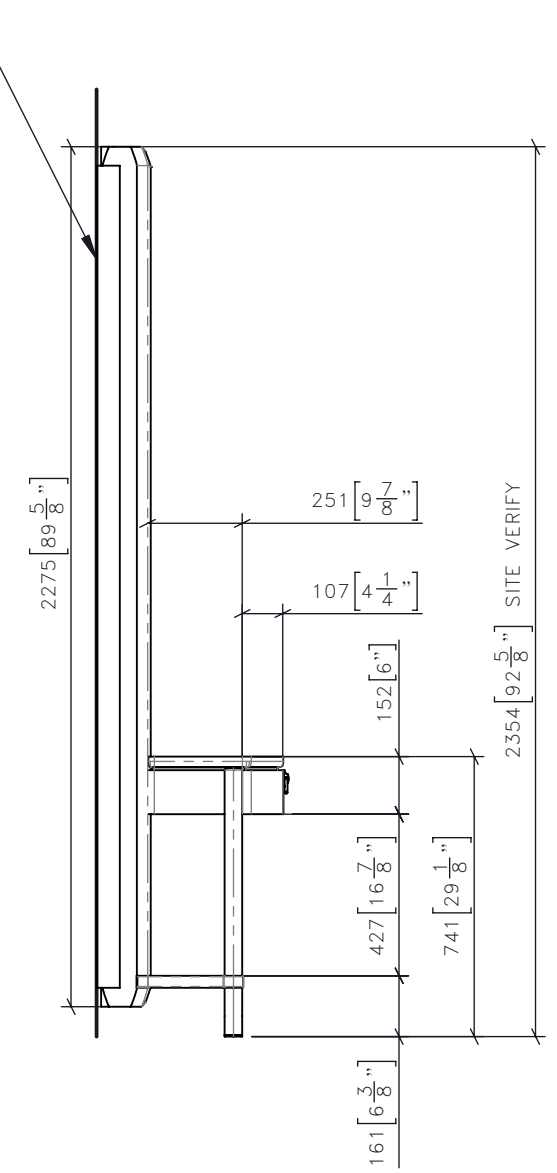
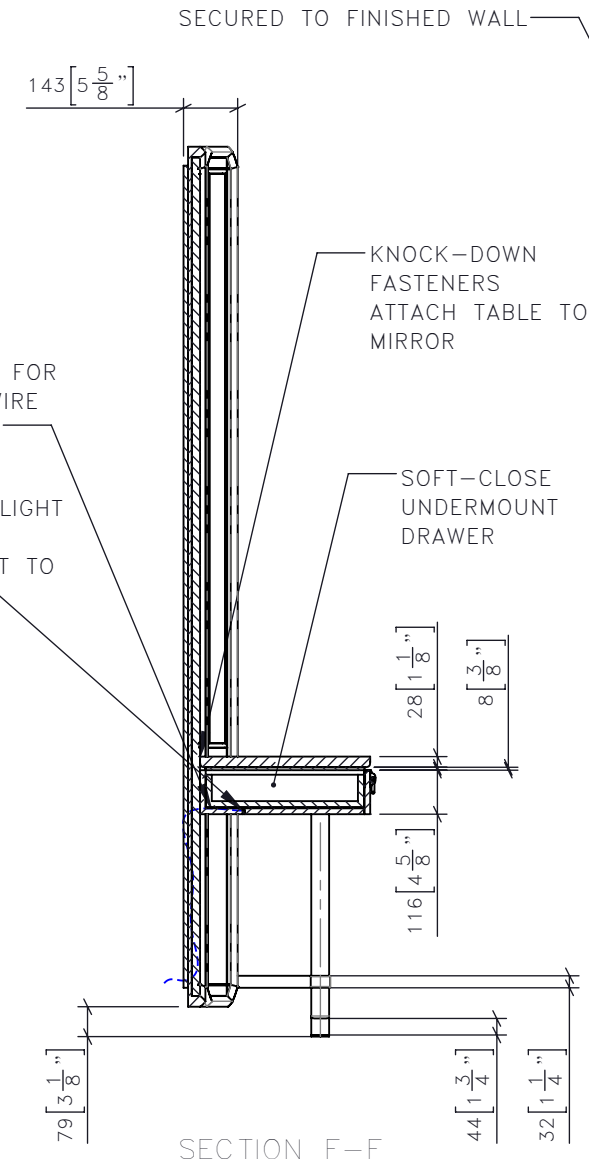
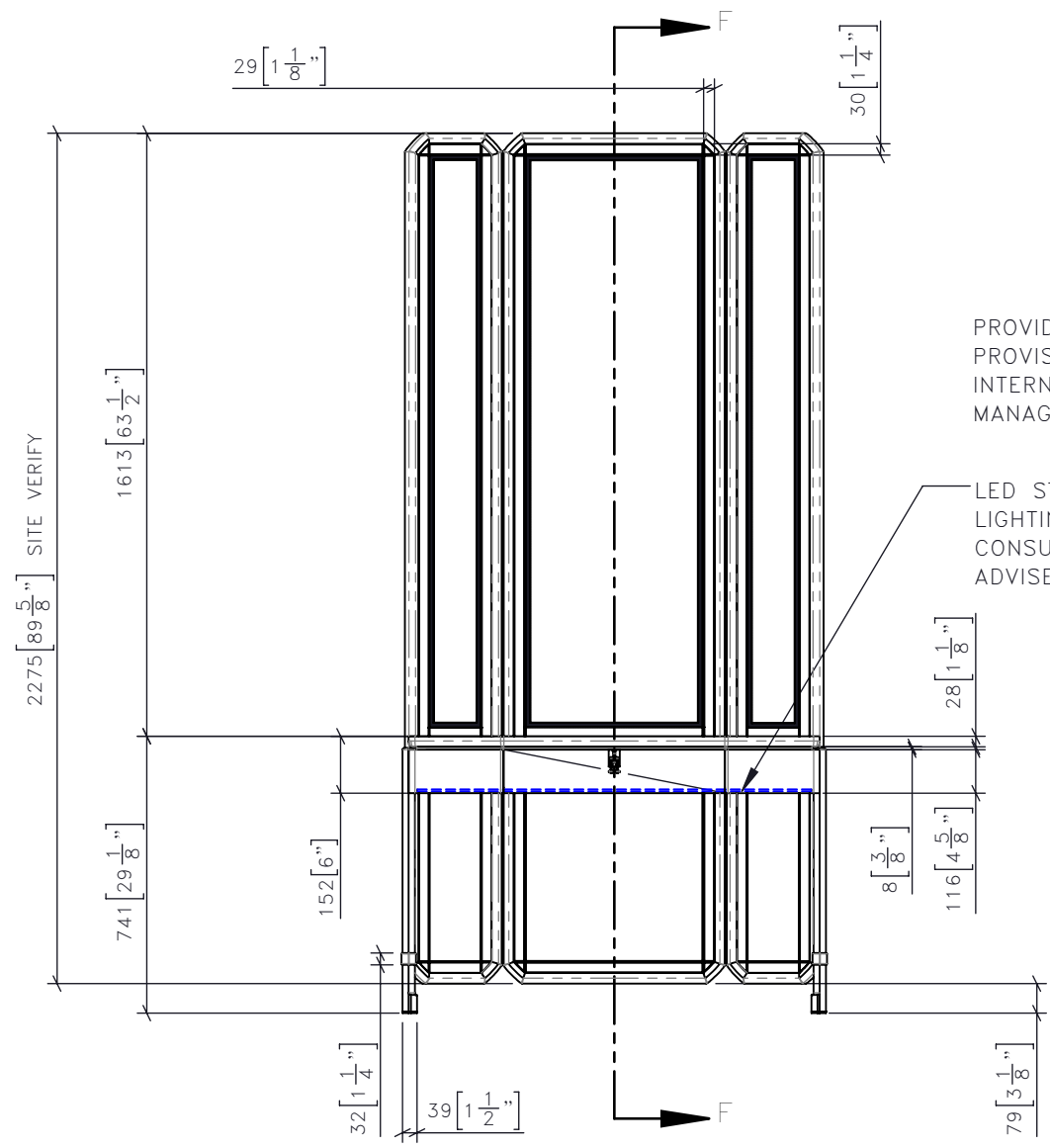
STUDIO MUNGE

NOTE - MANUFACTURER TO SITE VERIFY DIMENSIONS  
NOTE - CONFIRM FITMENT OF COMPONENTS IN ELEVATORS AND DOORWAYS

FOR DESIGN INTENT ONLY

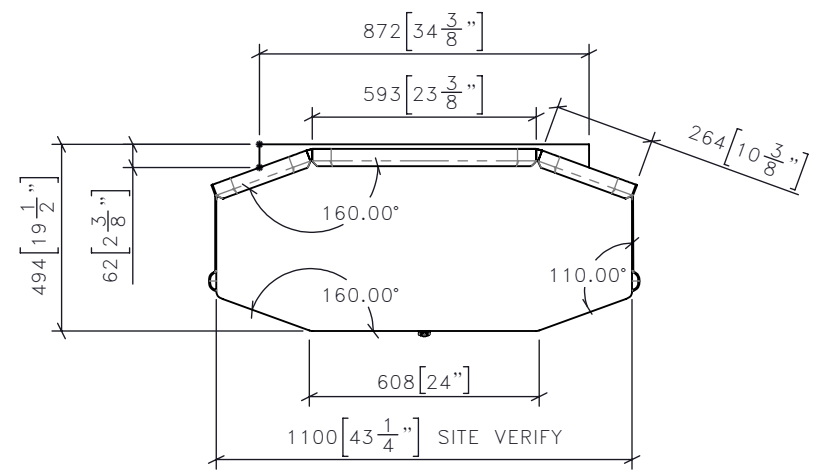
DRAWING ARE NOT TO BE SCALED. CONTRACTOR MUST CHECK AND VERIFY ALL JOB DIMENSIONS, DRAWINGS, DETAILS AND SPECIFICATIONS; AND REPORT ANY DISCREPANCIES TO DESIGNER BEFORE PROCEEDING WITH WORK.

-REV/	-ISSUED FOR	-DATE



**1** CG-309 DRESSING TABLE FRONT ELEVATION  
1:20

**3** CG-309 DRESSING TABLE SIDE ELEVATION  
1:20



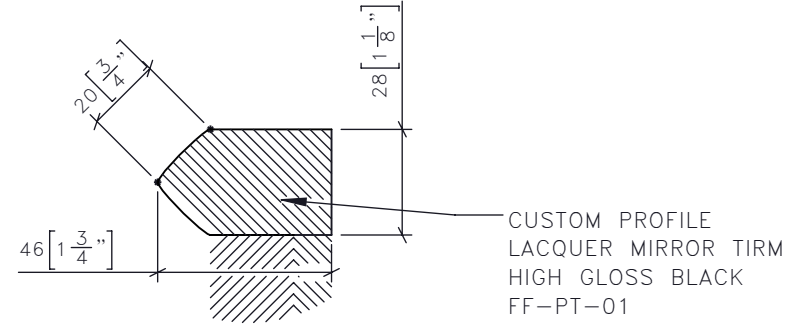
**2** CG-309 DRESSING TABLE PLAN  
1:20

-SCALE AS NOTED	-DATE 2/25/20
-DRAWN BY LS	-CHECKED BY
-PROJECT NAME  DIAOYUTHAI QINGDAO	
-DRAWING TITLE  CG-309 DRESSING TABLE	
-PROJECT NUMBER 19118	
-DRAWING NUMBER 1 / 4	

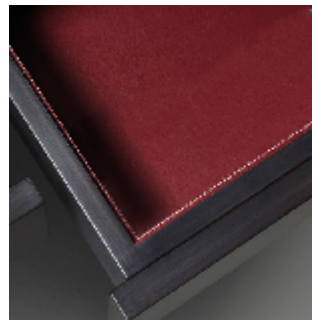
FOR DESIGN INTENT ONLY

DRAWING ARE NOT TO BE SCALED. CONTRACTOR MUST CHECK AND VERIFY ALL JOB DIMENSIONS, DRAWINGS, DETAILS AND SPECIFICATIONS; AND REPORT ANY DISCREPANCIES TO DESIGNER BEFORE PROCEEDING WITH WORK.

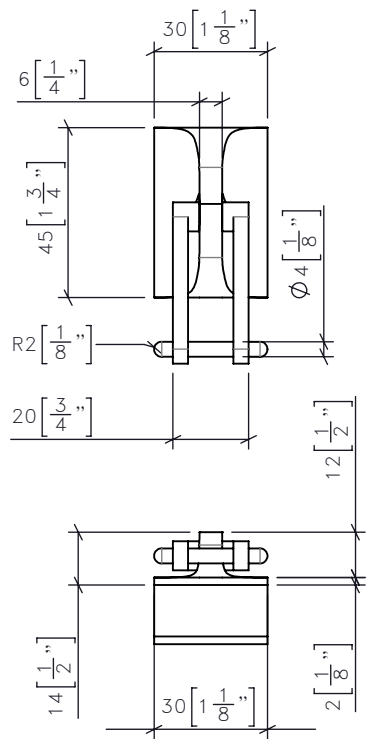
-REV/	-ISSUED FOR	-DATE



**4** CG-309 CUSTOM WOOD PROFILE SECTION N-N  
1:12

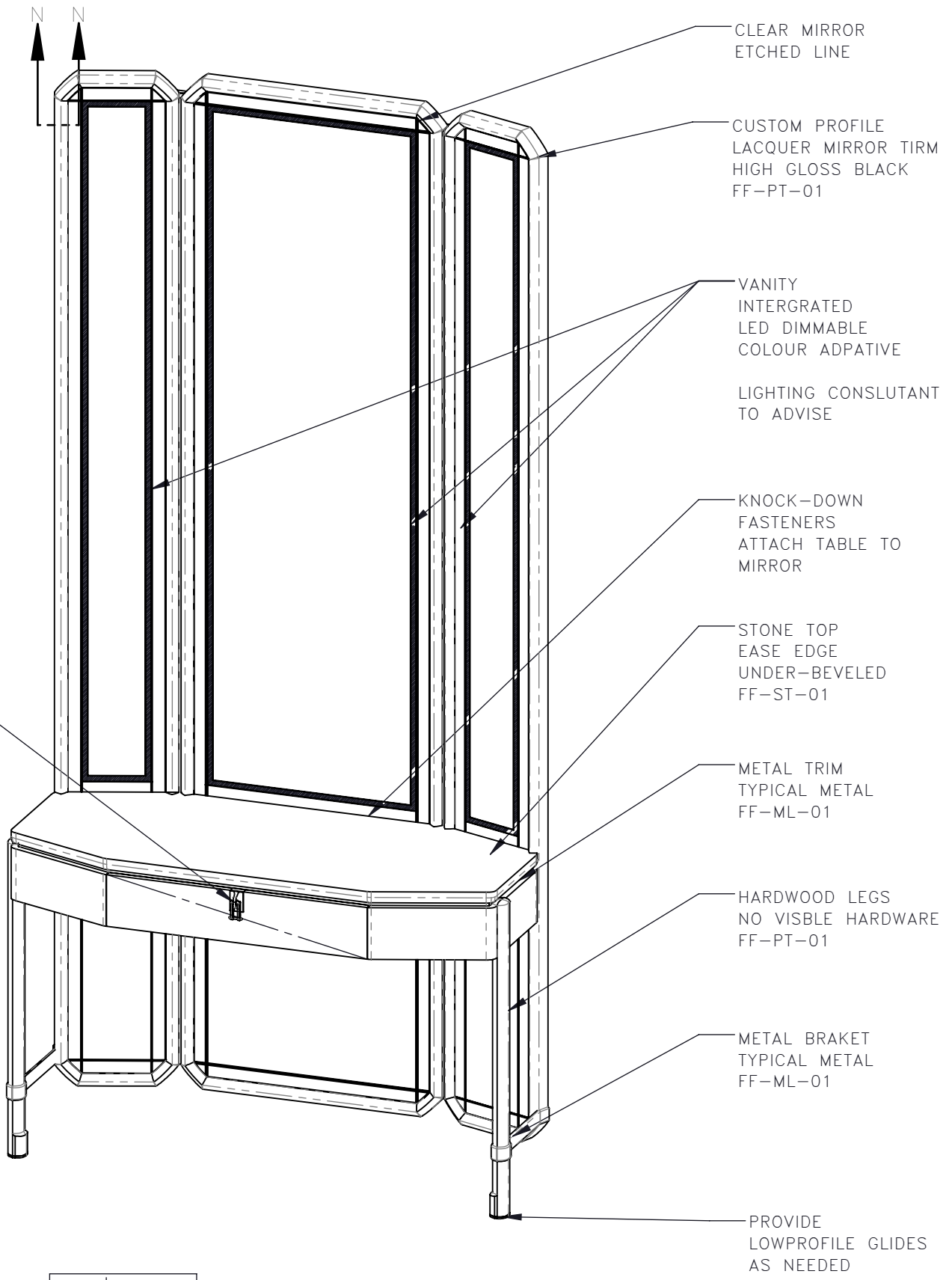


SOFT-CLOSE UNDERMOUNT DRAWER GLIDES  
CUSTOM DRAWER PULL FF-ML-01  
DRAWER INTERIOR TO CGF-309 SINGLE-TOP STITCH



SECURE FROM INSIDE OF DRAWER  
COUNTER-SUNK SCREW HOLES  
14 [1/2]

**5** CG-309 CUSTOM DRAWER PULL DESIGN INTENT  
1:12



**6** CG-309 DRESSING TABLE DIMETRIC DETAIL  
1:12

**STUDIO MUNGE**  
25 WINGOLD AVENUE  
TORONTO, ONTARIO  
M6B 1P8 CANADA  
416.588.1668  
STUDIOMUNGE.COM

-SCALE AS NOTED	-DATE 2/25/20
-DRAWN BY LS	-CHECKED BY
-PROJECT NAME  DIAOYUTHAI QINGDAO	
-DRAWING TITLE  CG-309 DRESSING TABLE	
-PROJECT NUMBER 19118	
-DRAWING NUMBER 2 / 4	

STUDIO MUNGE  
E  
D  
C  
B  
A  
Y

FOR DESIGN INTENT ONLY

DRAWING ARE NOT TO BE SCALED. CONTRACTOR MUST CHECK AND VERIFY ALL JOB DIMENSIONS, DRAWINGS, DETAILS AND SPECIFICATIONS; AND REPORT ANY DISCREPANCIES TO DESIGNER BEFORE PROCEEDING WITH WORK.

-REV/	-ISSUED FOR	-DATE

**STUDIO  
MUNGE**  
25 WINGOLD AVENUE  
TORONTO, ONTARIO  
M6B 1P8 CANADA  
416.588.1668  
STUDIOMUNGE.COM

**-SCALE**  
AS NOTED

**-DATE**  
2/25/20

**-DRAWN BY**  
LS

**-CHECKED BY**

**-PROJECT NAME**  
  
DIAOYUTHAI QINGDAO

**-DRAWING TITLE**  
  
CG-309  
DRESSING TABLE

**-PROJECT NUMBER**  
19118

**-DRAWING NUMBER**  
3 / 4



STUDIO MUNGE  
Y  
E  
M  
D  
C  
B  
A  
Y

1 2 3 4 5 6

FOR DESIGN INTENT ONLY

DRAWING ARE NOT TO BE SCALED. CONTRACTOR MUST CHECK AND VERIFY ALL JOB DIMENSIONS, DRAWINGS, DETAILS AND SPECIFICATIONS; AND REPORT ANY DISCREPANCIES TO DESIGNER BEFORE PROCEEDING WITH WORK.

-REV/	-ISSUED FOR	-DATE



**STUDIO  
MUNGE**  
25 WINGOLD AVENUE  
TORONTO, ONTARIO  
M6B 1P8 CANADA  
416.588.1668  
STUDIOMUNGE.COM

**-SCALE**  
AS NOTED

**-DATE**  
2/25/20

**-DRAWN BY**  
LS

**-CHECKED BY**

**-PROJECT NAME**  
  
DIAOYUTHAI QINGDAO

**-DRAWING TITLE**  
  
CG-309  
DRESSING TABLE

**-PROJECT NUMBER**  
19118

**-DRAWING NUMBER**  
4 / 4

1 2 3 4 5 6