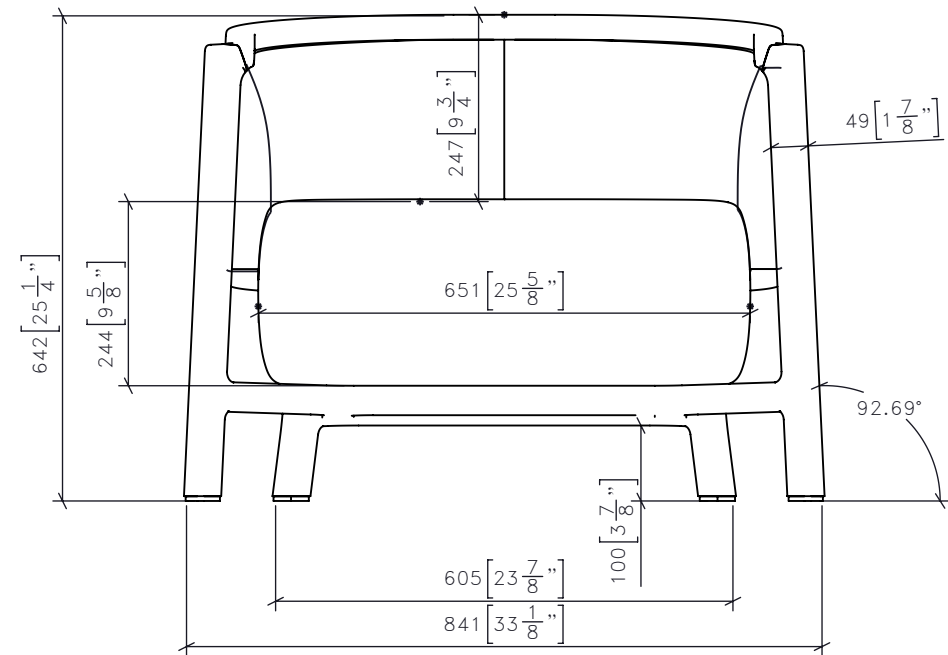
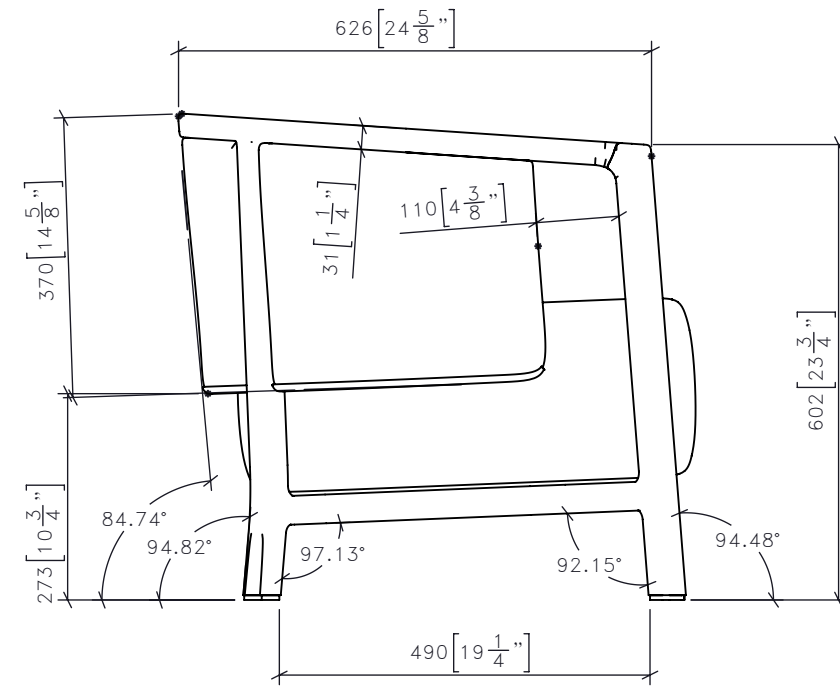


FOR DESIGN INTENT ONLY

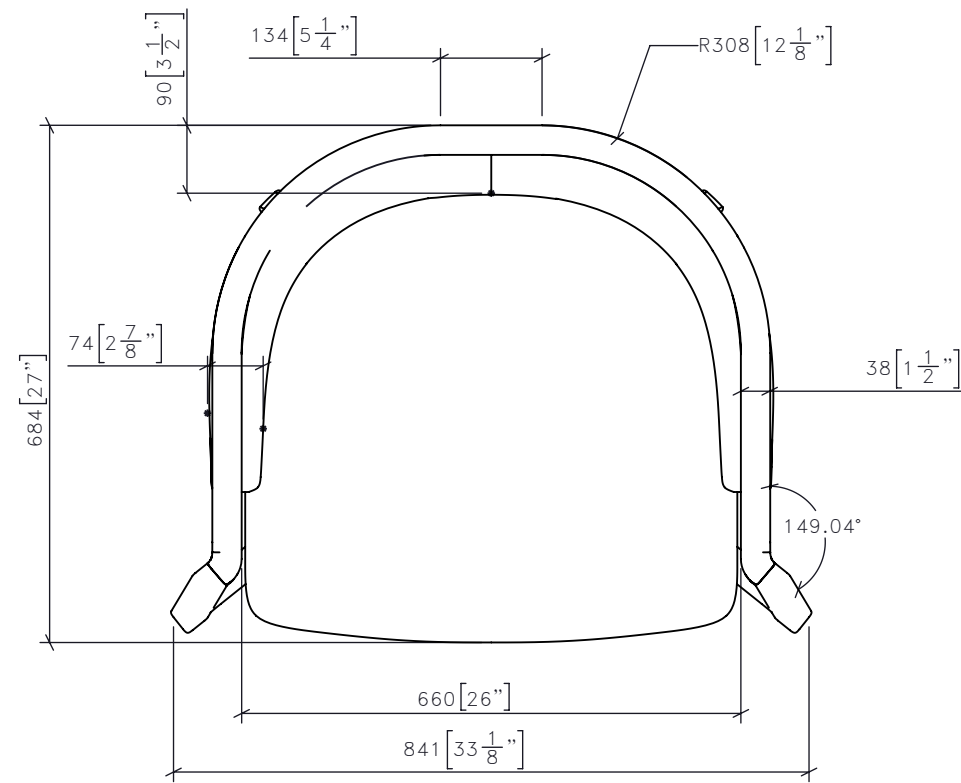
DRAWING ARE NOT TO BE SCALED. CONTRACTOR MUST CHECK AND VERIFY ALL JOB DIMENSIONS, DRAWINGS, DETAILS AND SPECIFICATIONS, AND REPORT ANY DISCREPANCIES TO DESIGNER BEFORE PROCEEDING WITH WORK.



1 | SG-303 | LOUNGE CHAIR
1:10 | FRONT ELEVATION



3 | SG-303 | LOUNGE CHAIR
1:10 | SIDE ELEVATION



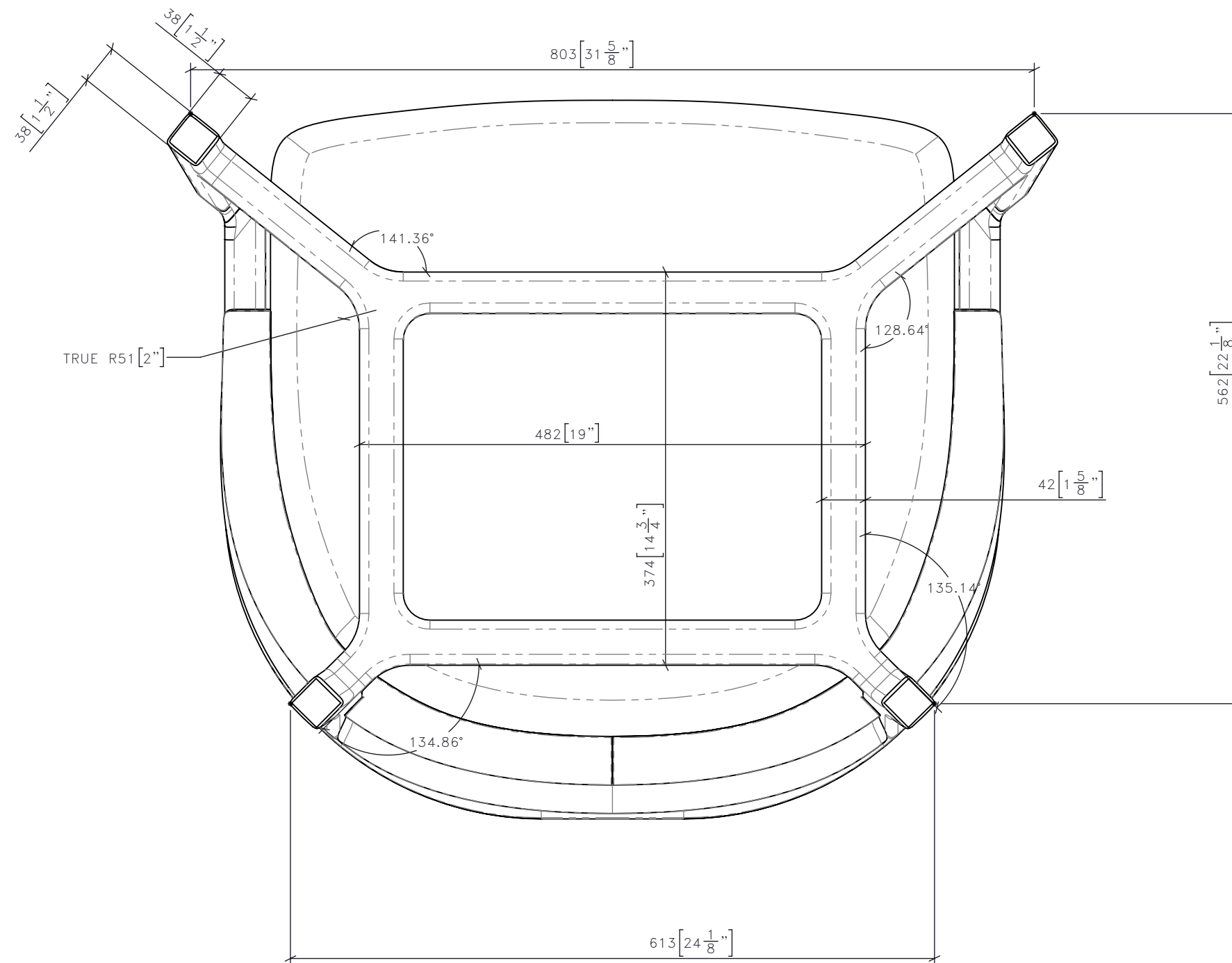
2 | SG-303 | LOUNGE CHAIR
1:10 | PLAN

-REV/	-ISSUED FOR	-DATE

STUDIO MUNGE
25 WINGOLD AVENUE
TORONTO, ONTARIO
M6B 1P8 CANADA
416.588.1668
STUDIOMUNGE.COM

-SCALE AS NOTED	-DATE 11/2/20
-DRAWN BY RC	-CHECKED BY
-PROJECT NAME DIAOYUTAI QINGDAO	
-DRAWING TITLE SG-303 LOUNGE CHAIR	
-PROJECT NUMBER 191118	
-DRAWING NUMBER 1 / 5	

-REV/	-ISSUED FOR	-DATE



STUDIO MUNGE
 25 WINGOLD AVENUE
 TORONTO, ONTARIO
 M6B 1P8 CANADA
 416.588.1668
 STUDIOMUNGE.COM

-SCALE
AS NOTED

-DATE
11/2/20

-DRAWN BY
RC

-CHECKED BY

-PROJECT NAME
DIAOYUTAI QINGDAO

-DRAWING TITLE
SG-303
LOUNGE CHAIR

-PROJECT NUMBER
191118

-DRAWING NUMBER
2 / 5

4 | SG-303 | LOUNGE CHAIR
1:5 | BOTTOM VIEW

STUDIO MUNGE

FOR DESIGN INTENT ONLY

DRAWING ARE NOT TO BE SCALED. CONTRACTOR MUST CHECK AND VERIFY ALL JOB DIMENSIONS, DRAWINGS, DETAILS AND SPECIFICATIONS; AND REPORT ANY DISCREPANCIES TO DESIGNER BEFORE PROCEEDING WITH WORK.

-REV/	-ISSUED FOR	-DATE

STUDIO MUNGE
 25 WINGOLD AVENUE
 TORONTO, ONTARIO
 M6B 1P8 CANADA
 416.588.1668
 STUDIOMUNGE.COM

-SCALE AS NOTED	-DATE 11/2/20
-DRAWN BY RC	-CHECKED BY
-PROJECT NAME DIAOYUTAI QINGDAO	
-DRAWING TITLE SG-303 LOUNGE CHAIR	
-PROJECT NUMBER 19118	
-DRAWING NUMBER 3 / 5	

FF-WD-01
SOLID HARDWOOD FRAME
CONSTRUCTION

SGF-303A INSIDE ONLY
TIGHT UPHOLSTERED
CUSHION
BLIND STITCH

SGF-303B OUTSIDE ONLY
TIGHT UPHOLSTERED
CUSHION
BLIND STITCH

SGF-303A
TIGHT UPHOLSTERED
CUSHION
BLIND STITCH

FF-WD-01
SOLID HARDWOOD FRAME
CONSTRUCTION

FF-ML-01
METAL DETAIL ON FEET

ADD GLIDES AS NEEDED

5	SG-303	LOUNGE CHAIR ISOMETRIC DETAIL
	1:5	

STUDIO MUNGE
E
F
D
C
B
A
Y

FOR DESIGN INTENT ONLY

DRAWING ARE NOT TO BE SCALED. CONTRACTOR MUST CHECK AND VERIFY ALL JOB DIMENSIONS, DRAWINGS, DETAILS AND SPECIFICATIONS; AND REPORT ANY DISCREPANCIES TO DESIGNER BEFORE PROCEEDING WITH WORK.

-REV/	-ISSUED FOR	-DATE



STUDIO MUNGE
25 WINGOLD AVENUE
TORONTO, ONTARIO
M6B 1P8 CANADA
416.588.1668
STUDIOMUNGE.COM

-SCALE
AS NOTED

-DATE
11/2/20

-DRAWN BY
RC

-CHECKED BY

-PROJECT NAME
DIAOYUTAI QINGDAO

-DRAWING TITLE
SG-303
LOUNGE CHAIR

-PROJECT NUMBER
191118

-DRAWING NUMBER
4 / 5

6 | SG-303 | LOUNGE CHAIR
1:5 | RENDERED VIEW

STUDIO MUNGE
E
F
D
C
B
A
Y

FOR DESIGN INTENT ONLY

DRAWING ARE NOT TO BE SCALED. CONTRACTOR MUST CHECK AND VERIFY ALL JOB DIMENSIONS, DRAWINGS, DETAILS AND SPECIFICATIONS; AND REPORT ANY DISCREPANCIES TO DESIGNER BEFORE PROCEEDING WITH WORK.

-REV/	-ISSUED FOR	-DATE



**STUDIO
MUNGE**
25 WINGOLD AVENUE
TORONTO, ONTARIO
M6B 1P8 CANADA
416.588.1668
STUDIOMUNGE.COM

-SCALE
AS NOTED

-DATE
11/2/20

-DRAWN BY
RC

-CHECKED BY

-PROJECT NAME

DIAOYUTAI QINGDAO

-DRAWING TITLE

SG-303
LOUNGE CHAIR

-PROJECT NUMBER
191118

-DRAWING NUMBER
5 / 5

7	SG-303	LOUNGE CHAIR RENDERED VIEW
	1:5	