

STUDIO MUNGE

**SEATING INSTRUCTONS:**

- ALL SEAMS TO BE BLIND UNLESS OTHERWISE SPECIFIED
- SUBMITTAL OF SHOP DRAWINGS, FINISH SAMPLES, AND/OR PROTOTYPE TO STUDIO MUNGE FOR REVIEW AND WRITTEN APPROVAL IS REQUIRED FOR ALL PIECES SUPPLIED BY INDICATED VENDOR OR OTHER.
- TO BE TIGHT UPHOLSTERED UNLESS OTHERWISE SPECIFIED
- DRAWINGS PROVIDED ARE FOR DESIGN INTENT ONLY
- PROVIDE CONTRACT QUALITY LOW PROFILE LEVELERS AS REQUIRED
- PROVIDE CONTRACT QUALITY LOW PROFILE GLIDES TO PROTECT FLOOR FROM SCRATCHING
- REFER TO DRAWINGS FOR DETAILS
- HARDWARE TO BE HIDDEN UNLESS OTHERWISE SPECIFIED
- HARDWARE TO BE REVIEWED AND APPROVED BY SM
- MANUFACTURER TO ENSURE NO ISSUE WITH SITE ACCESS AND CLEARANCE FOR DELIVERY AND INSTALLATION
- PURCHASING AGENT TO SUBMIT ALL NEW SUBSTITUTIONS TO STUDIO MUNGE FOR WRITTEN APPROVAL PRIOR TO MANUFACTURING AND PURCHASING

ACCESSORY CODE	DESCRIPTION
FB-AC-08A	18" X 18" PILLOW X 2 REFER TO CUTSHEET
FB-AC-08B	16" X 16" PILLOW X 2 REFER TO CUTSHEET
<b>REQUIRED ITEM(S) FOR DESIGNER APPROVAL PRIOR TO FABRICATION</b>	
<input type="checkbox"/> SEAMING DIAGRAM <input type="checkbox"/> SHOP DRAWINGS <input type="checkbox"/> PROTOTYPE <input type="checkbox"/> FINISH SAMPLE	

DRAWING ARE NOT TO BE SCALED. CONTRACTOR MUST CHECK AND VERIFY ALL JOB DIMENSIONS, DRAWINGS, DETAILS AND SPECIFICATIONS; AND REPORT ANY DISCREPANCIES TO DESIGNER BEFORE PROCEEDING WITH WORK.

<b>-REV/</b>	<b>-ISSUED FOR</b>	<b>-DATE</b>

STUDIO  
MUNGE

25 WINGOLD AVENUE  
 TORONTO, ONTARIO  
 M6B 1P8 CANADA  
 416.588.1668  
 STUDIOMUNGE.COM

**MATERIAL INSTRUCTONS:**

-MATERIALS TO BE OUTDOOR GRADE WHEN REQUIRED AND SPECIFIED IN DRAWINGS AND ORDER

MATERIAL CODE	DESCRIPTION	COLOR/FINISH
SGF-01	REFER TO FABRIC CUTSHEET	REFER TO FINISH CUTSHEET
FF-WD-XX	SOLID FLAT CUT WALNUT -FREE OF KNOTS	REFER TO FINISH CUTSHEET

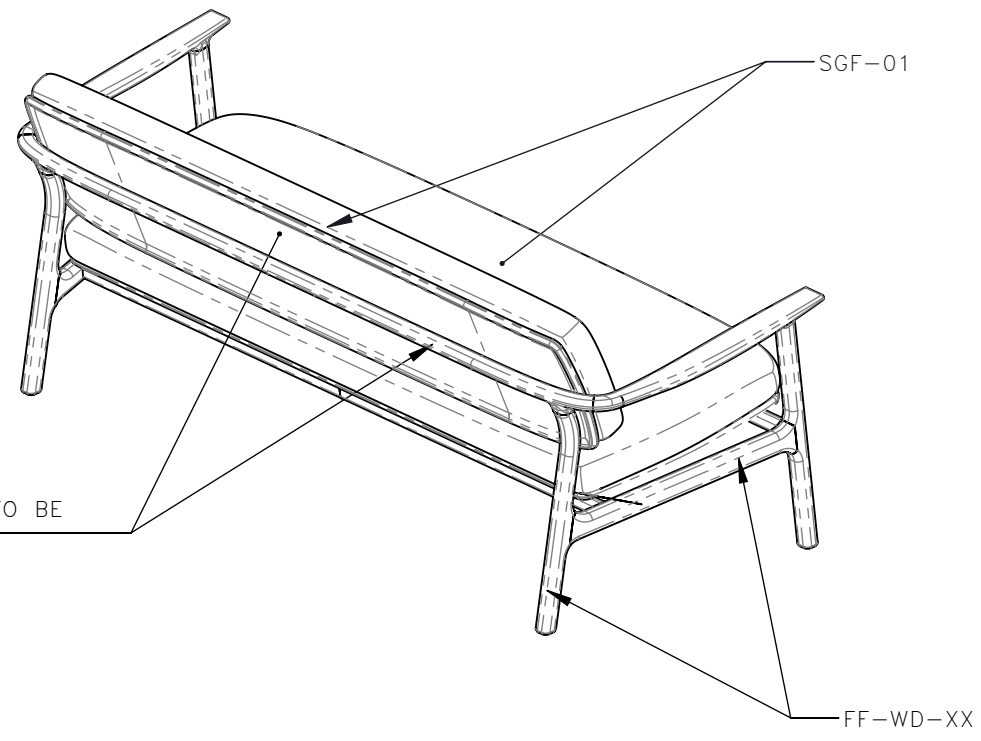


<b>-SCALE</b> AS NOTED	<b>-DATE</b> 2/16/21
<b>-DRAWN BY</b> RC	<b>-CHECKED BY</b>
<b>-PROJECT NAME</b>	
AM COLLECTION	
<b>-DRAWING TITLE</b>	
SG-XX 2 SEATER SOFA	
<b>-PROJECT NUMBER</b>	
17148	
<b>-DRAWING NUMBER</b>	
1 / 5	

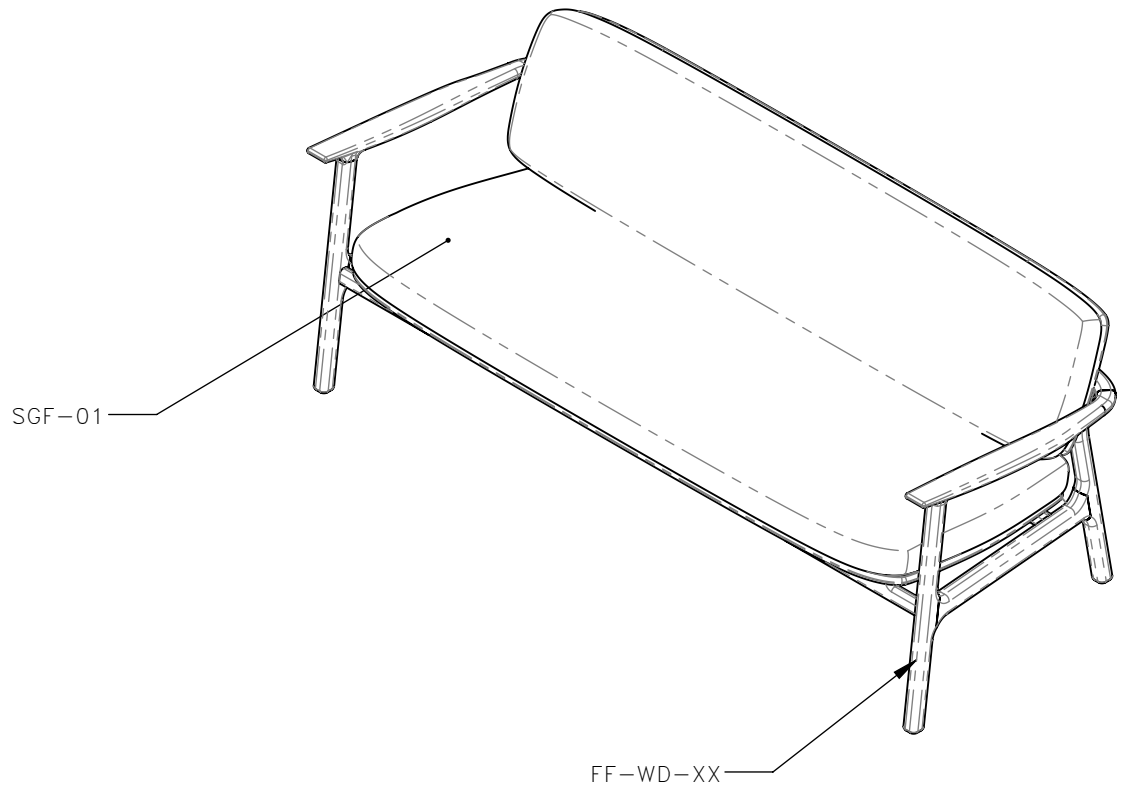
STUDIO MUNGE

DRAWING ARE NOT TO BE SCALED. CONTRACTOR MUST CHECK AND VERIFY ALL JOB DIMENSIONS, DRAWINGS, DETAILS AND SPECIFICATIONS; AND REPORT ANY DISCREPANCIES TO DESIGNER BEFORE PROCEEDING WITH WORK.

-REV/	-ISSUED FOR	-DATE



1	SG-XX	2 SEATER SOFA ISOMETRIC REAR
	1:16	



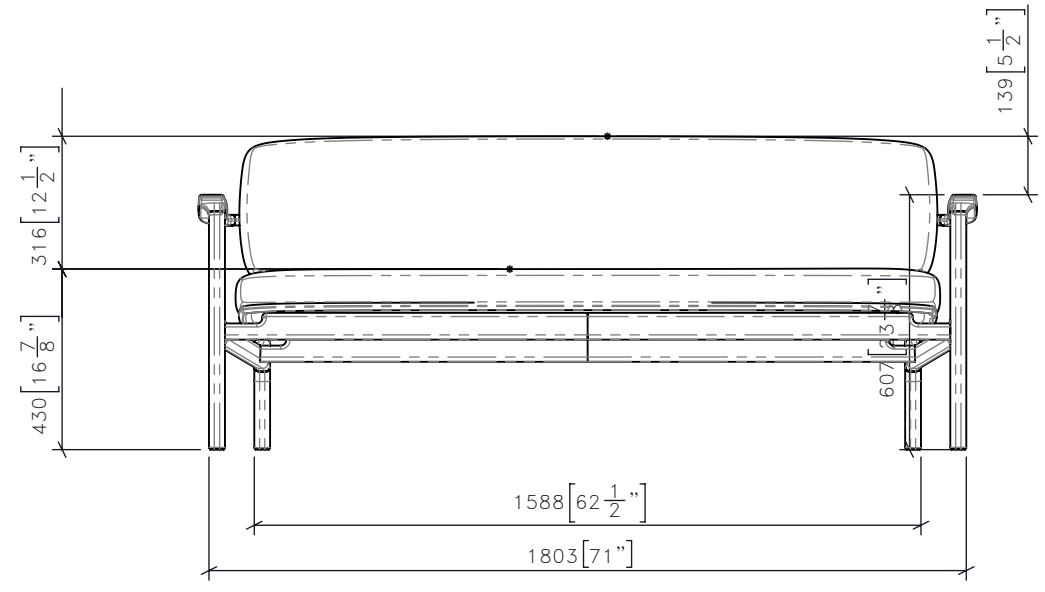
2	SG-XX	2 SEATER SOFA ISOMETRIC FRONT
	1:16	

**STUDIO MUNGE**  
 25 WINGOLD AVENUE  
 TORONTO, ONTARIO  
 M6B 1P8 CANADA  
 416.588.1668  
 STUDIOMUNGE.COM

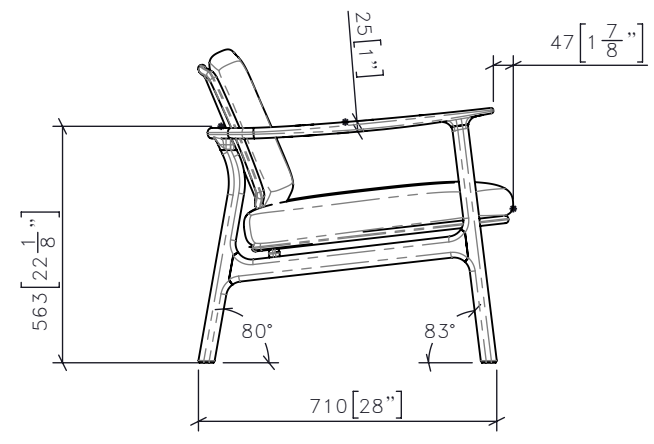
<b>-SCALE</b> AS NOTED	<b>-DATE</b> 2/16/21
<b>-DRAWN BY</b> RC	<b>-CHECKED BY</b> 
<b>-PROJECT NAME</b>  AM COLLECTION	
<b>-DRAWING TITLE</b>  SG-XX 2 SEATER SOFA	
<b>-PROJECT NUMBER</b> 17148	
<b>-DRAWING NUMBER</b> 2 / 5	

DRAWING ARE NOT TO BE SCALED. CONTRACTOR MUST CHECK AND VERIFY ALL JOB DIMENSIONS, DRAWINGS, DETAILS AND SPECIFICATIONS, AND REPORT ANY DISCREPANCIES TO DESIGNER BEFORE PROCEEDING WITH WORK.

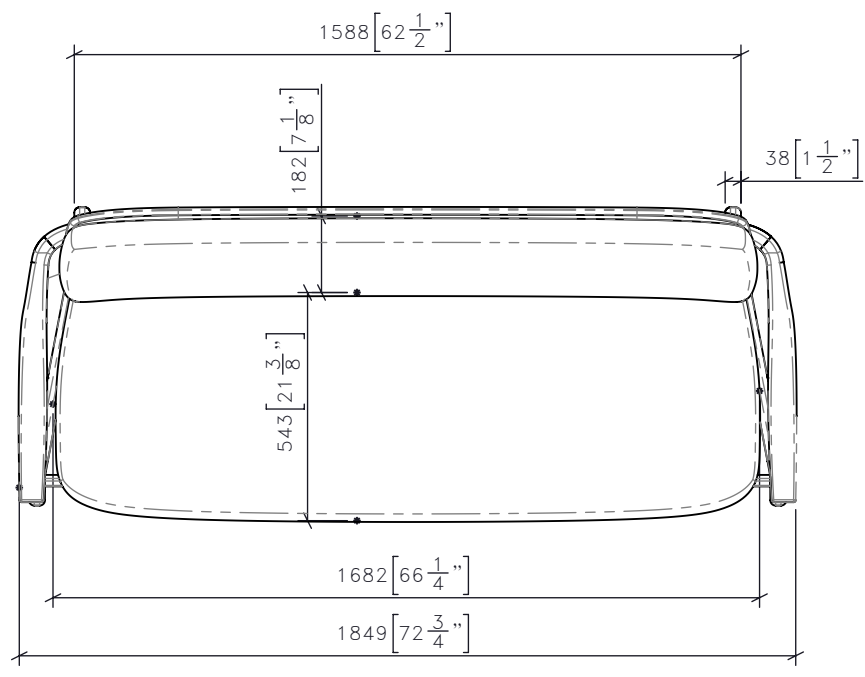
-REV/	-ISSUED FOR	-DATE



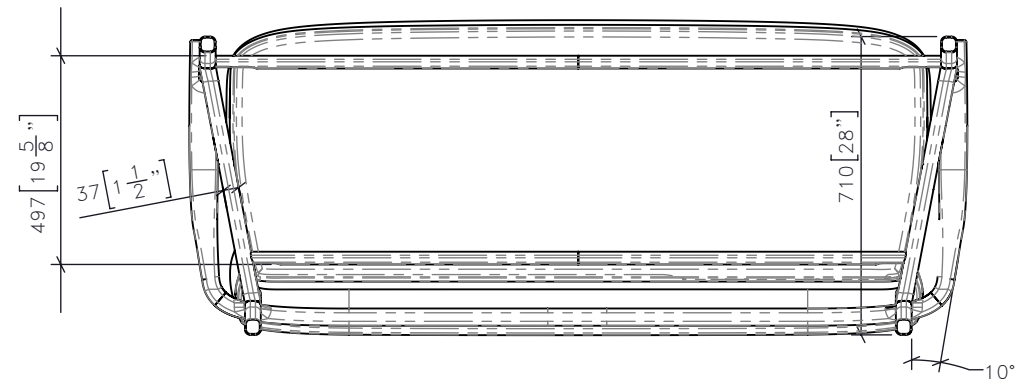
**3** | SG-XX  
1:18 | 2 SEATER SOFA  
FRONT ELEVATION



**5** | SG-XX  
1:18 | 2 SEATER SOFA  
BACK ELEVATION



**4** | SG-XX  
1:18 | 2 SEATER SOFA  
PLAN



**6** | SG-XX  
1:18 | 2 SEATER SOFA  
BOTTOM PLAN

**STUDIO MUNGE**  
25 WINGOLD AVENUE  
TORONTO, ONTARIO  
M6B 1P8 CANADA  
416.588.1668  
STUDIOMUNGE.COM

**-SCALE**  
AS NOTED

**-DATE**  
2/16/21

**-DRAWN BY**  
RC

**-CHECKED BY**

**-PROJECT NAME**

AM COLLECTION

**-DRAWING TITLE**

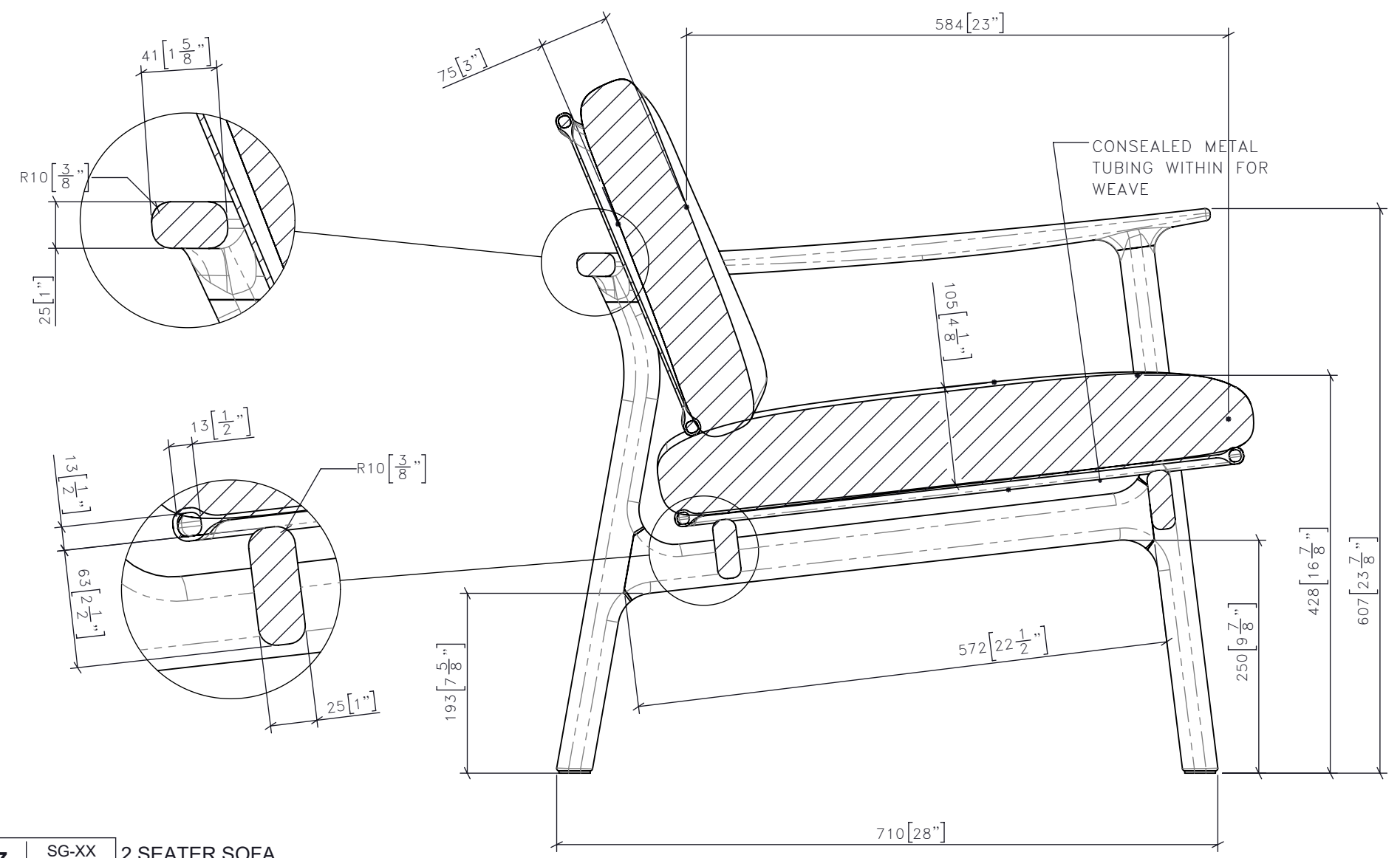
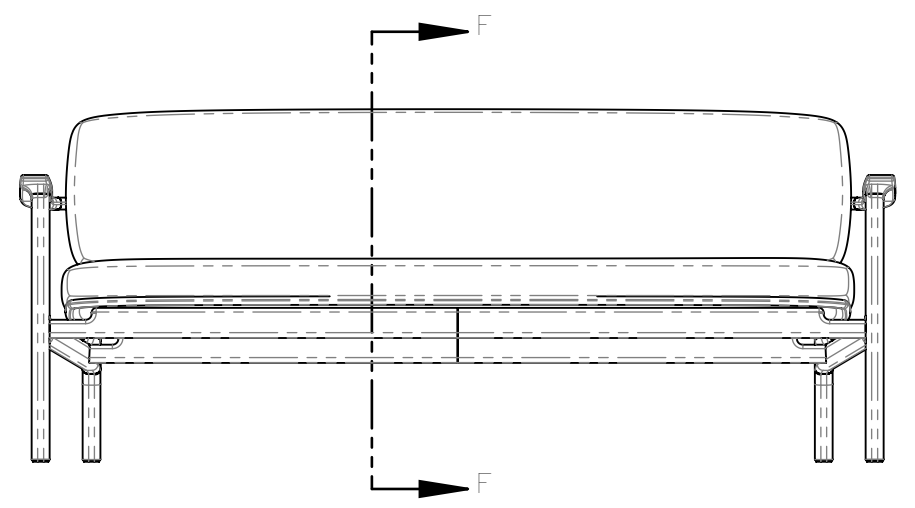
SG-XX  
2 SEATER SOFA

**-PROJECT NUMBER**  
17148

**-DRAWING NUMBER**  
3 / 5

DRAWING ARE NOT TO BE SCALED. CONTRACTOR MUST CHECK AND VERIFY ALL JOB DIMENSIONS, DRAWINGS, DETAILS AND SPECIFICATIONS, AND REPORT ANY DISCREPANCIES TO DESIGNER BEFORE PROCEEDING WITH WORK.

-REV/	-ISSUED FOR	-DATE



**STUDIO MUNGE**  
 25 WINGOLD AVENUE  
 TORONTO, ONTARIO  
 M6B 1P8 CANADA  
 416.588.1668  
 STUDIOMUNGE.COM

-SCALE AS NOTED	-DATE 2/16/21
-DRAWN BY RC	-CHECKED BY
-PROJECT NAME  AM COLLECTION	
-DRAWING TITLE  SG-XX 2 SEATER SOFA	
-PROJECT NUMBER 17148	
-DRAWING NUMBER 4 / 5	

**7** | SG-XX | 2 SEATER SOFA  
 1:16 | SECTION F-F

STUDIO MUNGE  
Y  
M  
D  
C  
B  
A  
Y

IMAGE AS REFERENCE FOR THE CUSHIONS LOOK ONLY



9	SG-XX	2 SEATER SOFA
	1:8	RENDERED VIEW

DRAWING ARE NOT TO BE SCALED. CONTRACTOR MUST CHECK AND VERIFY ALL JOB DIMENSIONS, DRAWINGS, DETAILS AND SPECIFICATIONS; AND REPORT ANY DISCREPANCIES TO DESIGNER BEFORE PROCEEDING WITH WORK.

-REV/	-ISSUED FOR	-DATE

**STUDIO MUNGE**  
25 WINGOLD AVENUE  
TORONTO, ONTARIO  
M6B 1P8 CANADA  
416.588.1668  
STUDIOMUNGE.COM

<b>-SCALE</b> AS NOTED	<b>-DATE</b> 2/16/21
---------------------------	-------------------------

<b>-DRAWN BY</b> RC	<b>-CHECKED BY</b>
------------------------	--------------------

**-PROJECT NAME**

AM COLLECTION

**-DRAWING TITLE**

SG-XX  
2 SEATER SOFA

<b>-PROJECT NUMBER</b> 17148
---------------------------------

<b>-DRAWING NUMBER</b> 5 / 5
---------------------------------