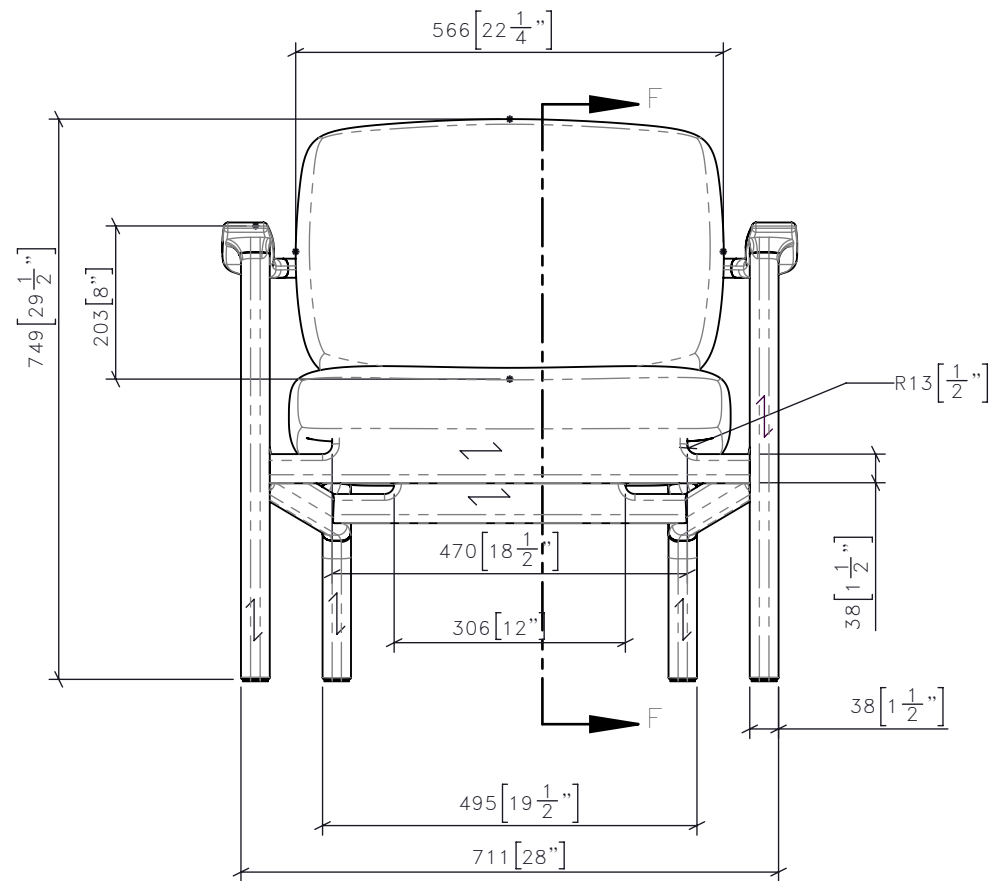
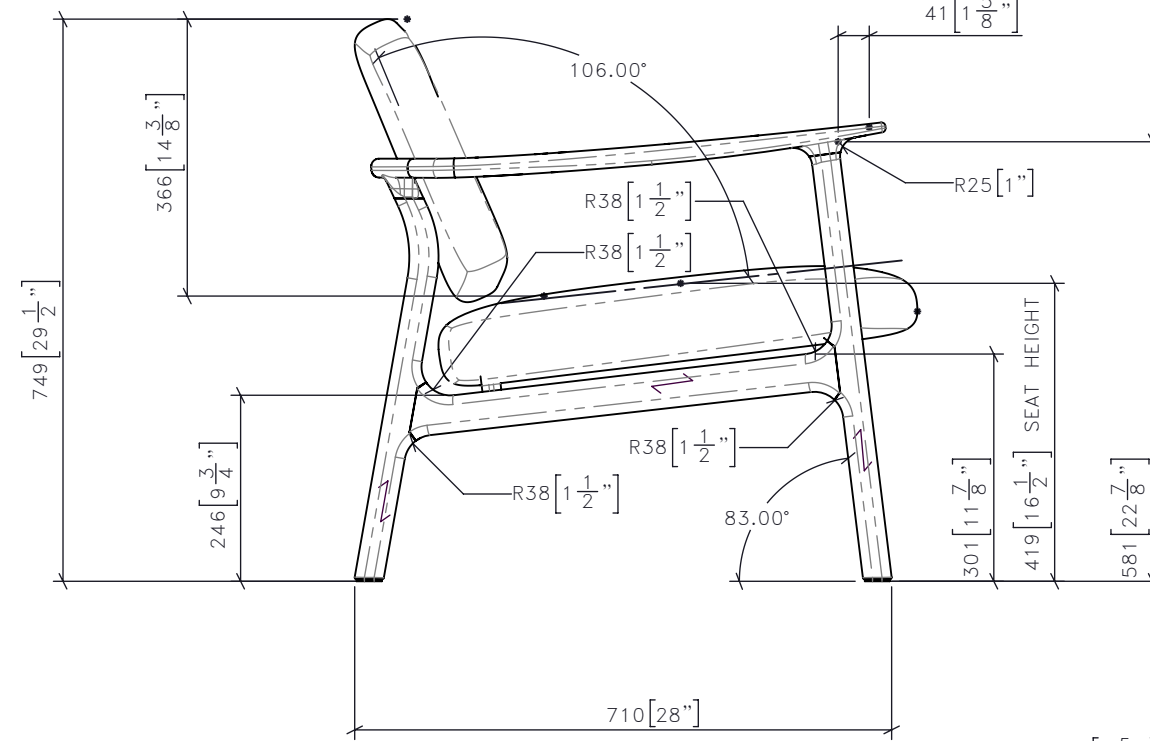


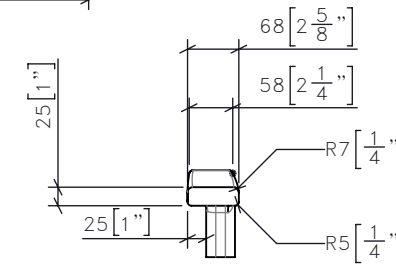
-REV/	-ISSUED FOR	-DATE



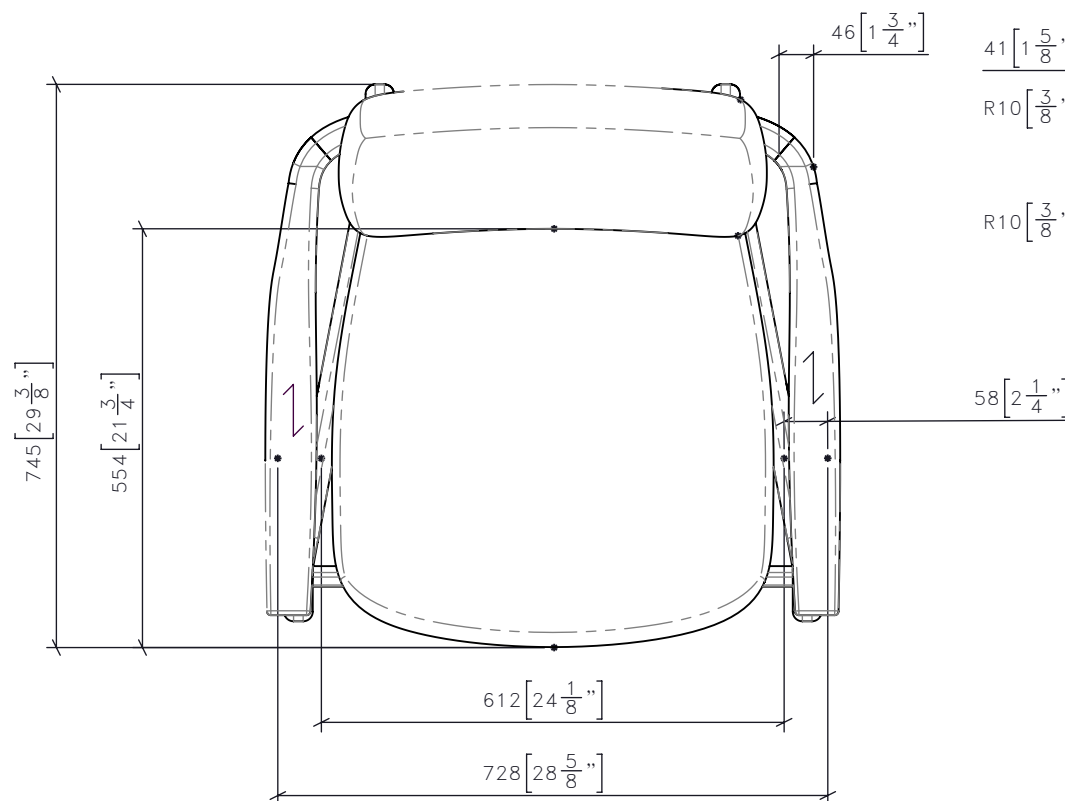
1 SG-502 LOUNGE CHAIR FRONT ELEVATION
1:10



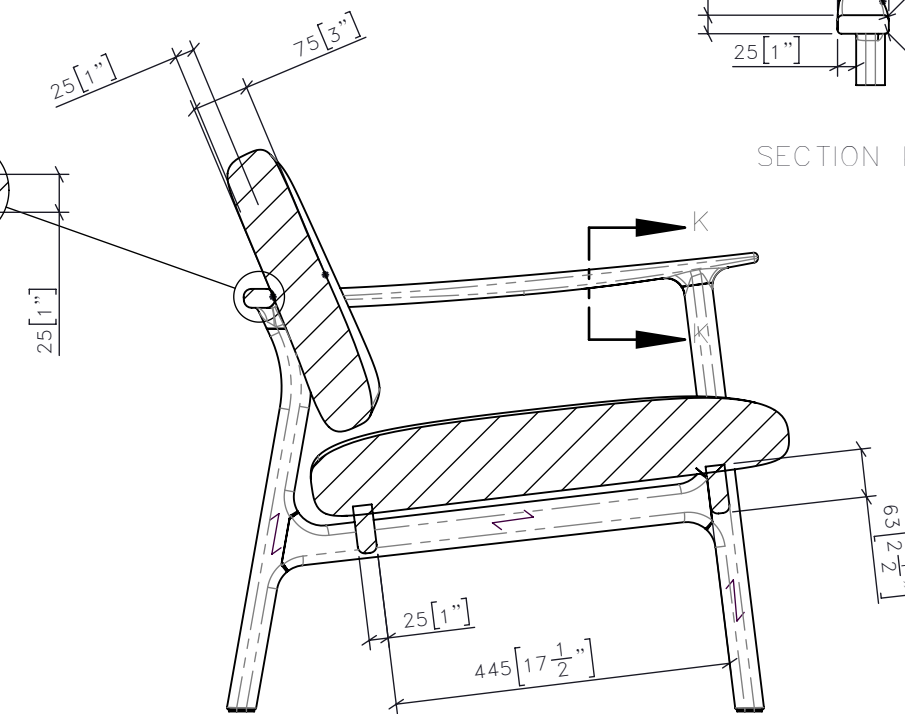
3 SG-502 LOUNGE CHAIR SIDE ELEVATION
1:10



SECTION K-K



2 SG-502 LOUNGE CHAIR PLAN
1:10

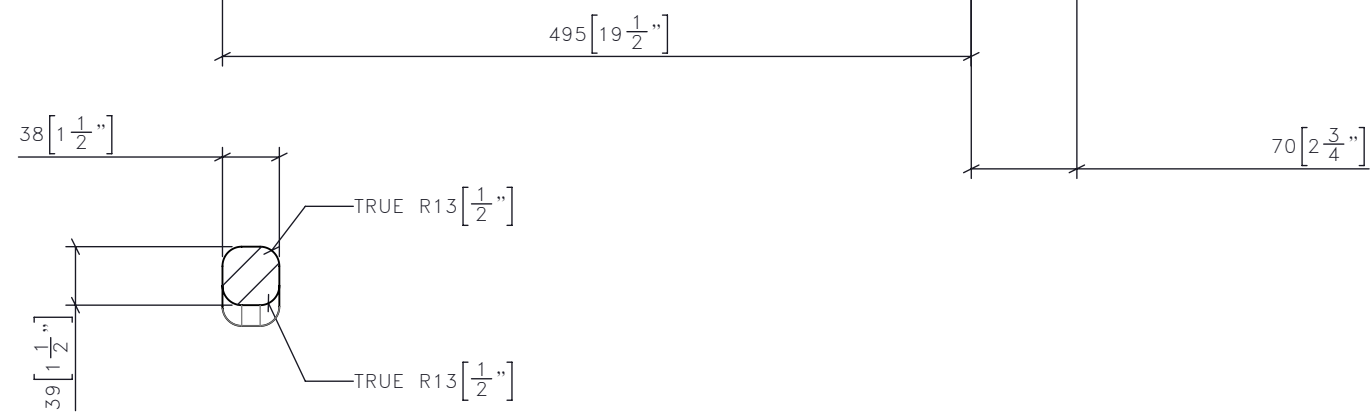
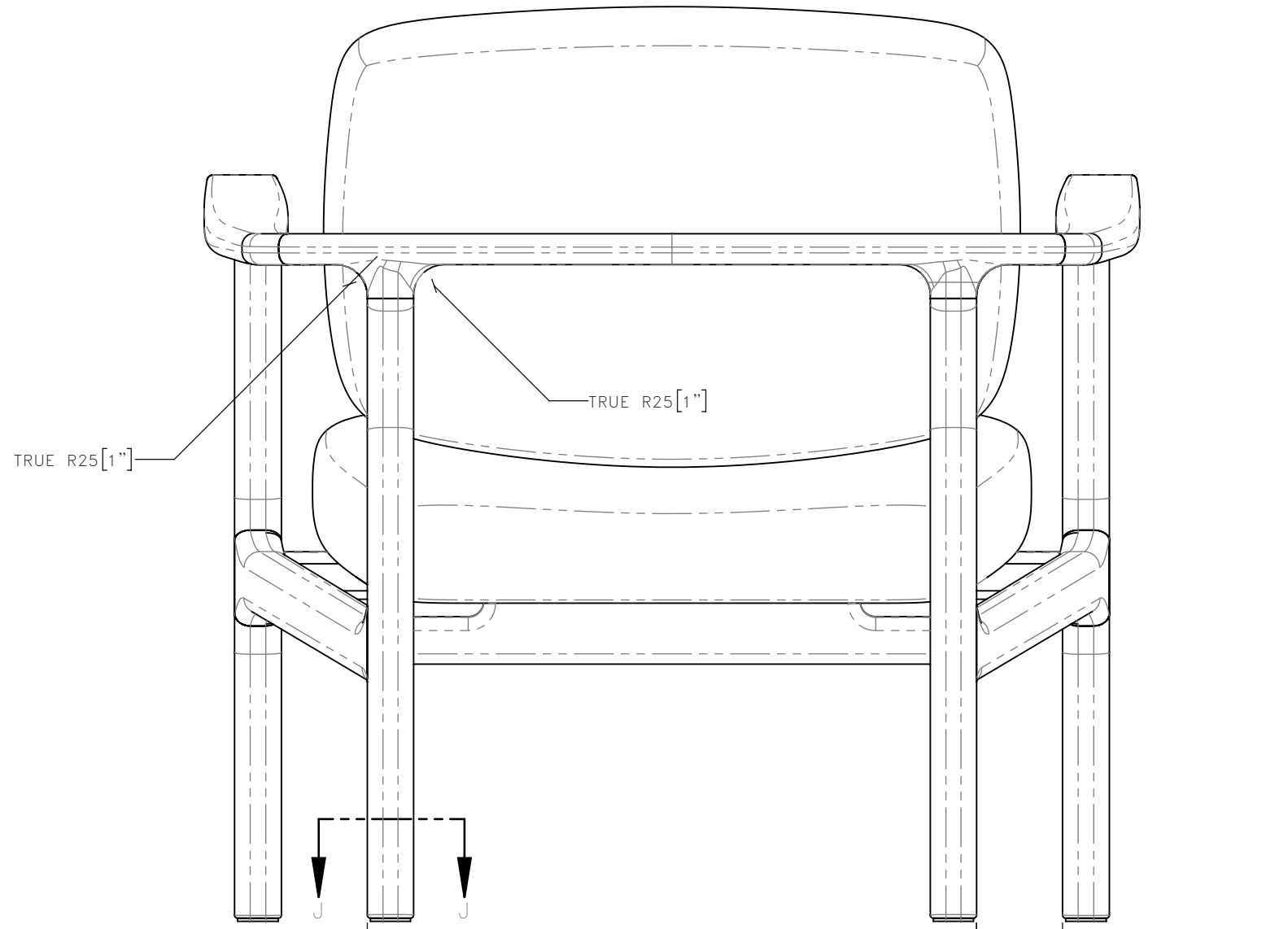


4 SG-502 LOUNGE CHAIR SECTION F-F
1:10

STUDIO MUNGE
25 WINGOLD AVENUE
TORONTO, ONTARIO
M6B 1P8 CANADA
416.588.1668
STUDIOMUNGE.COM

-SCALE AS NOTED	-DATE 3/5/20
-DRAWN BY RC	-CHECKED BY
-PROJECT NAME AM COLLECTION	
-DRAWING TITLE MARQUEE LOUNGE CHAIR	
-PROJECT NUMBER XXXXX	
-DRAWING NUMBER 1 / 6	

-REV/	-ISSUED FOR	-DATE



STUDIO MUNGE
 25 WINGOLD AVENUE
 TORONTO, ONTARIO
 M6B 1P8 CANADA
 416.588.1668
 STUDIOMUNGE.COM

-SCALE AS NOTED	-DATE 3/5/20
-DRAWN BY RC	-CHECKED BY
-PROJECT NAME AM COLLECTION	
-DRAWING TITLE MARQUEE LOUNGE CHAIR	
-PROJECT NUMBER XXXXX	
-DRAWING NUMBER 2 / 6	

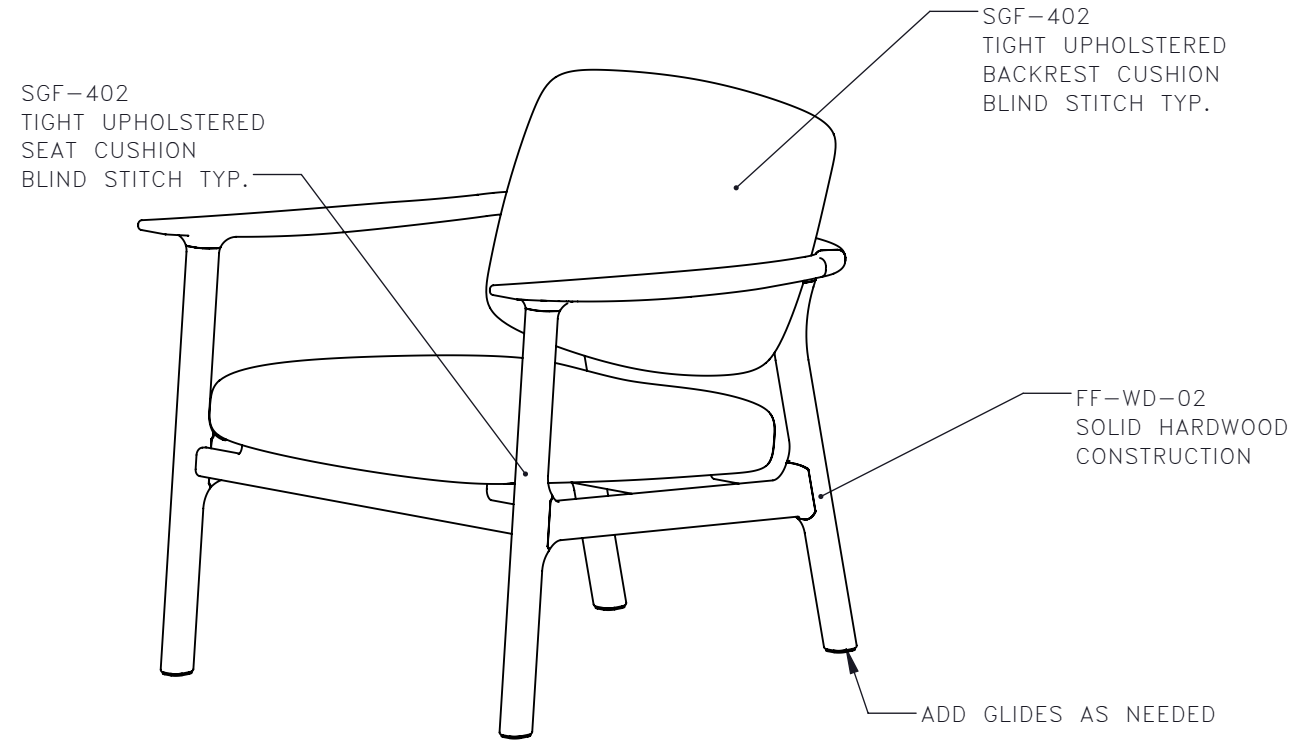
4 | SG-502 | LOUNGE CHAIR
 1:5 | REAR ELEVATION

SECTION J-J

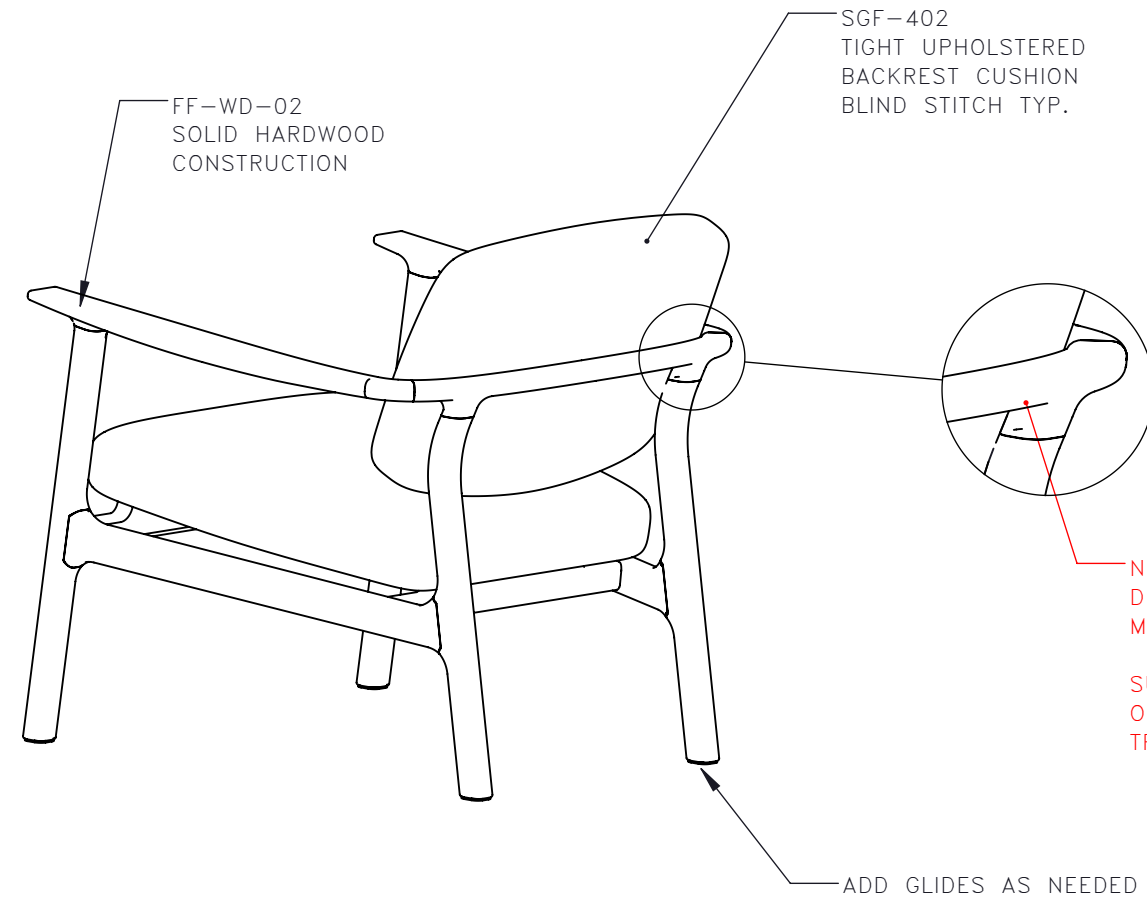
STUDIO MUNGE

FOR DESIGN INTENT ONLY

DRAWING ARE NOT TO BE SCALED. CONTRACTOR MUST CHECK AND VERIFY ALL JOB DIMENSIONS, DRAWINGS, DETAILS AND SPECIFICATIONS; AND REPORT ANY DISCREPANCIES TO DESIGNER BEFORE PROCEEDING WITH WORK.



7	SG-502	LOUNGE CHAIR ISOMETRIC FRONT
	1:10	



8	SG-502	LOUNGE CHAIR ISOMETRIC REAR
	1:10	

-REV/	-ISSUED FOR	-DATE

**STUDIO
MUNGE** 25 WINGOLD AVENUE
TORONTO, ONTARIO
M6B 1P8 CANADA
416.588.1668
STUDIOMUNGE.COM

-SCALE AS NOTED	-DATE 3/5/20
-DRAWN BY RC	-CHECKED BY
-PROJECT NAME	
AM COLLECTION	
-DRAWING TITLE	
MARQUEE LOUNGE CHAIR	
-PROJECT NUMBER	
XXXXX	
-DRAWING NUMBER	
3 / 6	

STUDIO MUNGE
E
F
D
C
B
A
Y

FOR DESIGN INTENT ONLY

DRAWING ARE NOT TO BE SCALED. CONTRACTOR MUST CHECK AND VERIFY ALL JOB DIMENSIONS, DRAWINGS, DETAILS AND SPECIFICATIONS; AND REPORT ANY DISCREPANCIES TO DESIGNER BEFORE PROCEEDING WITH WORK.

-REV/	-ISSUED FOR	-DATE



**STUDIO
MUNGE**
25 WINGOLD AVENUE
TORONTO, ONTARIO
M6B 1P8 CANADA
416.588.1668
STUDIOMUNGE.COM

-SCALE AS NOTED	-DATE 3/5/20
-DRAWN BY RC	-CHECKED BY
-PROJECT NAME AM COLLECTION	
-DRAWING TITLE MARQUEE LOUNGE CHAIR	
-PROJECT NUMBER XXXXX	
-DRAWING NUMBER 4 / 6	

9	SG-502	LOUNGE CHAIR RENDERED VIEW
	1:10	

NOTE: REFER TO SG-503
FOR FOOT STOOL DRAWINGS

STUDIO MUNGE
E
F
D
C
B
A
Y

FOR DESIGN INTENT ONLY

DRAWING ARE NOT TO BE SCALED. CONTRACTOR MUST CHECK AND VERIFY ALL JOB DIMENSIONS, DRAWINGS, DETAILS AND SPECIFICATIONS; AND REPORT ANY DISCREPANCIES TO DESIGNER BEFORE PROCEEDING WITH WORK.

-REV/	-ISSUED FOR	-DATE



STUDIO MUNGE
25 WINGOLD AVENUE
TORONTO, ONTARIO
M6B 1P8 CANADA
416.588.1668
STUDIOMUNGE.COM

-SCALE
AS NOTED

-DATE
3/5/20

-DRAWN BY
RC

-CHECKED BY

-PROJECT NAME
AM COLLECTION

-DRAWING TITLE
MARQUEE
LOUNGE CHAIR

-PROJECT NUMBER
XXXXX

-DRAWING NUMBER
5 / 6

9	SG-502	LOUNGE CHAIR RENDERED VIEW
	1:10	

NOTE: REFER TO SG-503
FOR FOOT STOOL DRAWINGS

STUDIO MUNGE
E
F
D
C
B
A
Y



FOR DESIGN INTENT ONLY

DRAWING ARE NOT TO BE SCALED. CONTRACTOR MUST CHECK AND VERIFY ALL JOB DIMENSIONS, DRAWINGS, DETAILS AND SPECIFICATIONS; AND REPORT ANY DISCREPANCIES TO DESIGNER BEFORE PROCEEDING WITH WORK.

-REV/	-ISSUED FOR	-DATE

STUDIO MUNGE
25 WINGOLD AVENUE
TORONTO, ONTARIO
M6B 1P8 CANADA
416.588.1668
STUDIOMUNGE.COM

-SCALE
AS NOTED

-DATE
3/5/20

-DRAWN BY
RC

-CHECKED BY

-PROJECT NAME

AM COLLECTION

-DRAWING TITLE

MARQUEE
LOUNGE CHAIR

-PROJECT NUMBER
XXXXX

-DRAWING NUMBER
6 / 6

9 | SG-502 | LOUNGE CHAIR
1:10 | RENDERED VIEW