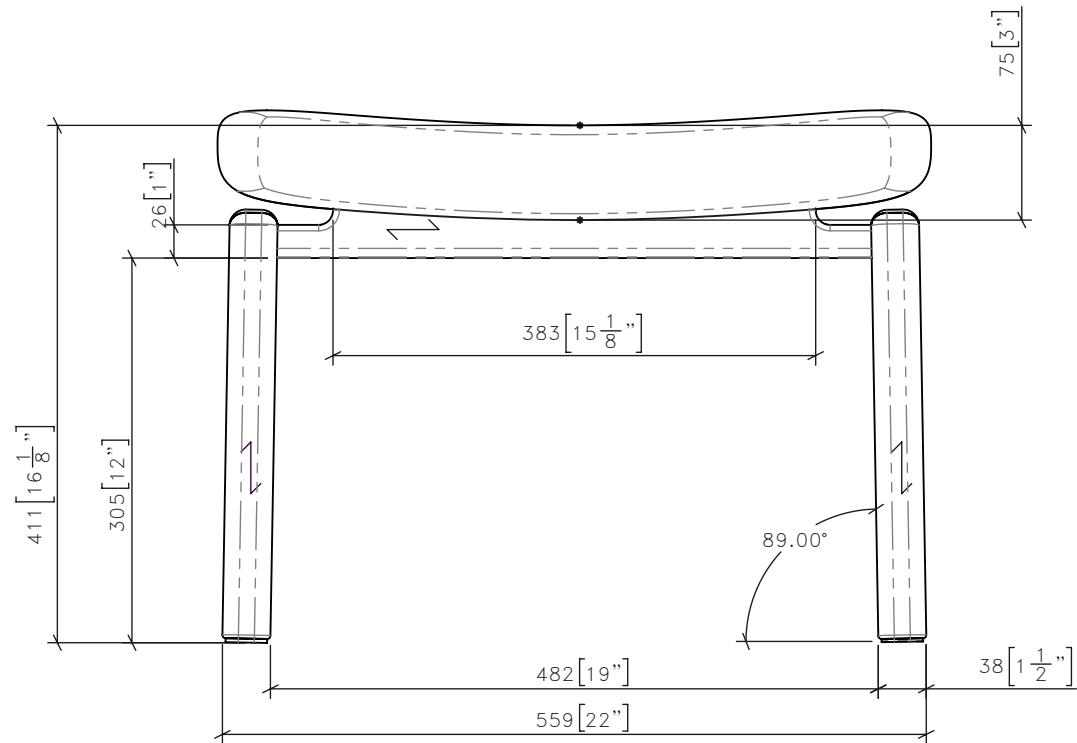


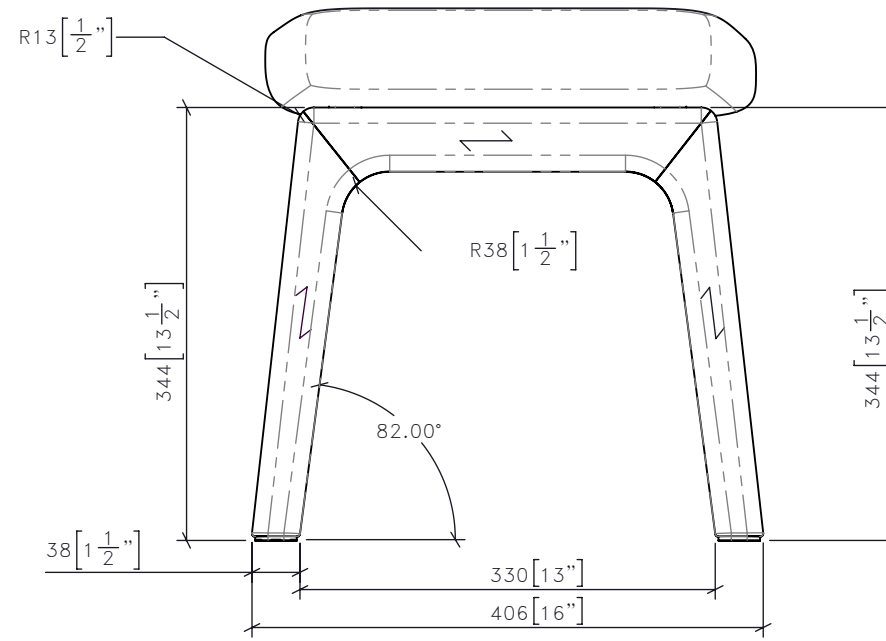
-REV/	-ISSUED FOR	-DATE

**STUDIO MUNGE**  
 25 WINGOLD AVENUE  
 TORONTO, ONTARIO  
 M6B 1P8 CANADA  
 416.588.1668  
 STUDIOMUNGE.COM

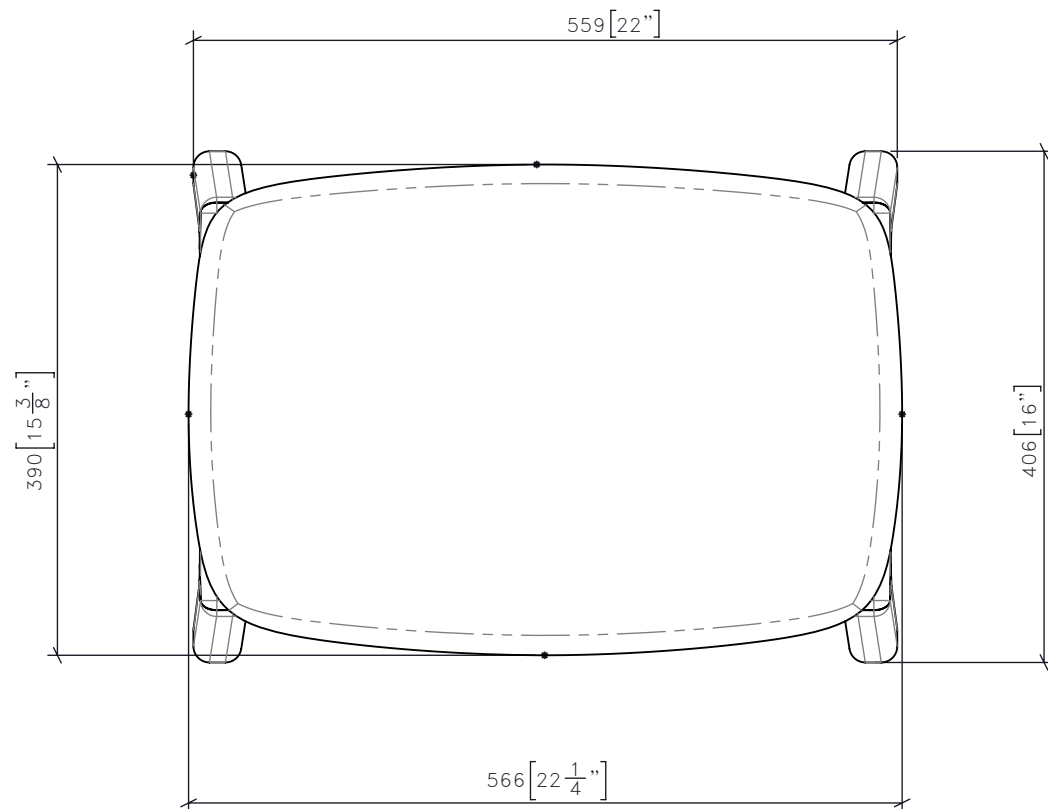
-SCALE	AS NOTED	-DATE	1/22/20
-DRAWN BY	RC	-CHECKED BY	
-PROJECT NAME	AM COLLECTION		
-DRAWING TITLE	MARQUEE LOUNGE CHAIR FOOTSTOOL		
-PROJECT NUMBER	XXXXX		
-DRAWING NUMBER	1 / 4		



**1** SG-503 LOUNGE CHAIR FOOTSTOOL  
 1:6 FRONT ELEVATION



**3** SG-503 LOUNGE CHAIR FOOTSTOOL  
 1:6 SIDE ELEVATION



**2** SG-503 LOUNGE CHAIR FOOTSTOOL  
 1:6 PLAN

STUDIO MUNGE

FOR DESIGN INTENT ONLY

DRAWING ARE NOT TO BE SCALED. CONTRACTOR MUST CHECK AND VERIFY ALL JOB DIMENSIONS, DRAWINGS, DETAILS AND SPECIFICATIONS; AND REPORT ANY DISCREPANCIES TO DESIGNER BEFORE PROCEEDING WITH WORK.

-REV/	-ISSUED FOR	-DATE

**STUDIO MUNGE**  
 25 WINGOLD AVENUE  
 TORONTO, ONTARIO  
 M6B 1P8 CANADA  
 416.588.1668  
 STUDIOMUNGE.COM

<b>-SCALE</b> AS NOTED	<b>-DATE</b> 1/22/20
<b>-DRAWN BY</b> RC	<b>-CHECKED BY</b>
<b>-PROJECT NAME</b>	
AM COLLECTION	
<b>-DRAWING TITLE</b>	
MARQUEE LOUNGE CHAIR FOOTSTOOL	
<b>-PROJECT NUMBER</b> XXXXX	
<b>-DRAWING NUMBER</b> 2 / 4	

SGF-503  
 TIGHT UPHOLSTERED  
 FOOTREST CUSHION  
 BLIND STITCH TYP.

PLYWOOD CONSTRUCTION  
 WITHIN FASTENS TO BASE

FF-WD-02  
 SOLID HARDWOOD  
 CONSTRUCTION

SGF-503  
 TIGHT UPHOLSTERED  
 FOOTREST CUSHION  
 BLIND STITCH TYP.

PLYWOOD CONSTRUCTION  
 WITHIN FASTENS TO BASE

ADD GLIDES AS NEEDED

**4** | SG-503 | **LOUNGE CHAIR FOOTSTOOL**  
 1:5 | ISOMETRIC FRONT

FF-WD-02  
 SOLID HARDWOOD  
 CONSTRUCTION

**5** | SG-503 | **LOUNGE CHAIR FOOTSTOOL**  
 1:5 | ISOMETRIC REAR

STUDIO MUNGE  
E  
F  
D  
C  
B  
A  
Y

FOR DESIGN INTENT ONLY

DRAWING ARE NOT TO BE SCALED. CONTRACTOR MUST CHECK AND VERIFY ALL JOB DIMENSIONS, DRAWINGS, DETAILS AND SPECIFICATIONS; AND REPORT ANY DISCREPANCIES TO DESIGNER BEFORE PROCEEDING WITH WORK.

-REV/	-ISSUED FOR	-DATE



REFER TO SG-502  
LOUNGE CHAIR DRAWINGS

**STUDIO  
MUNGE**  
25 WINGOLD AVENUE  
TORONTO, ONTARIO  
M6B 1P8 CANADA  
416.588.1668  
STUDIOMUNGE.COM

**-SCALE**  
AS NOTED

**-DATE**  
1/22/20

**-DRAWN BY**  
RC

**-CHECKED BY**

**-PROJECT NAME**  
  
AM COLLECTION

**-DRAWING TITLE**  
  
MARQUEE  
LOUNGE CHAIR FOOTSTOOL

**-PROJECT NUMBER**  
XXXXX

**-DRAWING NUMBER**  
3 / 4

**6** | SG-503 | LOUNGE CHAIR FOOTSTOOL  
1:5 | RENDERED VIEW

STUDIO MUNGE  
E  
F  
D  
C  
B  
A  
Y

FOR DESIGN INTENT ONLY

DRAWING ARE NOT TO BE SCALED. CONTRACTOR MUST CHECK AND VERIFY ALL JOB DIMENSIONS, DRAWINGS, DETAILS AND SPECIFICATIONS; AND REPORT ANY DISCREPANCIES TO DESIGNER BEFORE PROCEEDING WITH WORK.

-REV/	-ISSUED FOR	-DATE



**STUDIO MUNGE**  
25 WINGOLD AVENUE  
TORONTO, ONTARIO  
M6B 1P8 CANADA  
416.588.1668  
STUDIOMUNGE.COM

**-SCALE**  
AS NOTED

**-DATE**  
1/22/20

**-DRAWN BY**  
RC

**-CHECKED BY**

**-PROJECT NAME**  
  
AM COLLECTION

**-DRAWING TITLE**  
  
MARQUEE  
LOUNGE CHAIR FOOTSTOOL

**-PROJECT NUMBER**  
XXXXX

**-DRAWING NUMBER**  
4 / 4

**7** | SG-503 | **LOUNGE CHAIR FOOTSTOOL**  
1:5 | **RENDERED VIEW**

REFER TO SG-502  
LOUNGE CHAIR DRAWINGS