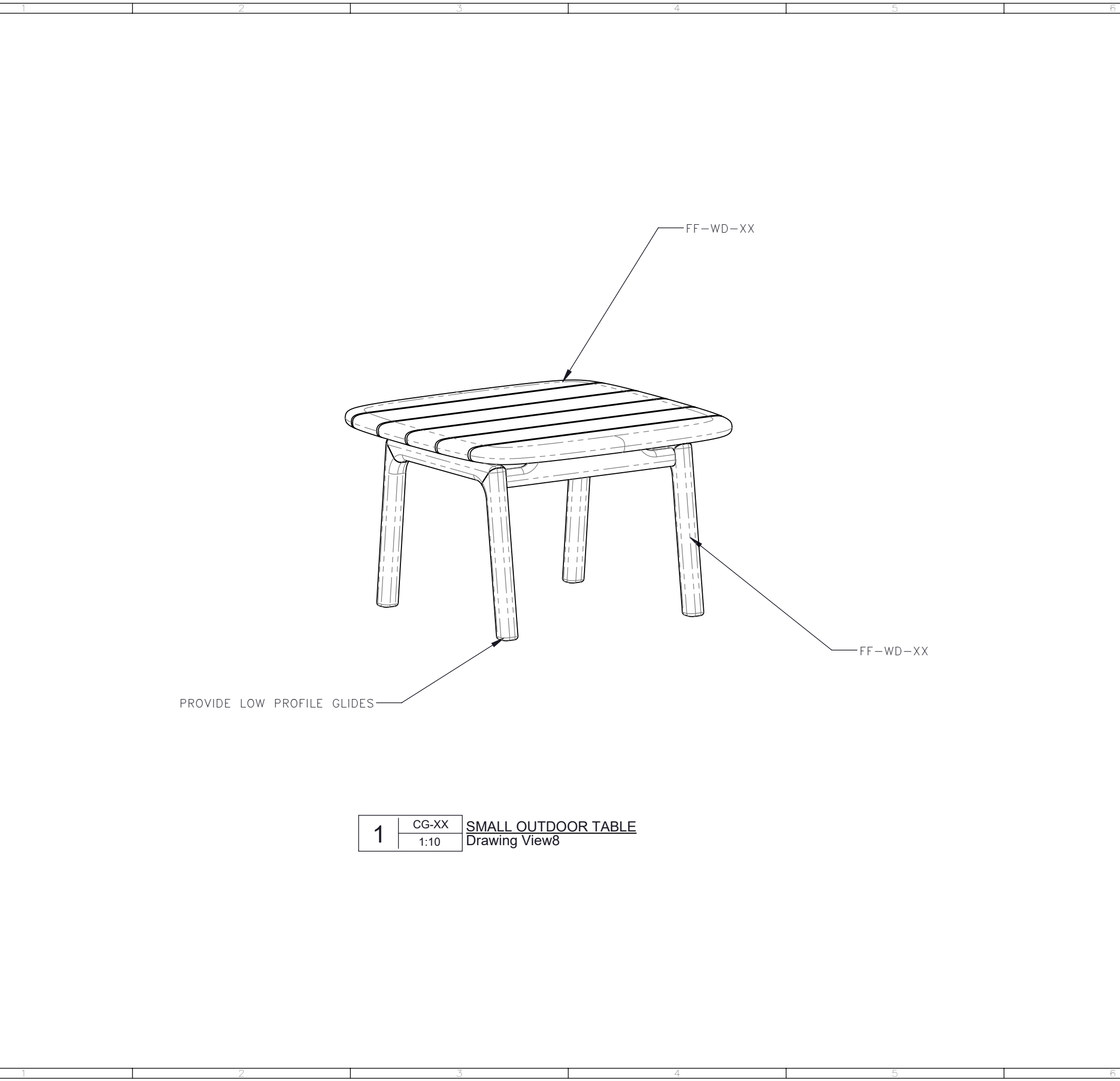


STUDIO MUNGE
Y
E
M
D
C
B
A
Y



PROVIDE LOW PROFILE GLIDES

FF-WD-XX

FF-WD-XX

1	CG-XX	SMALL OUTDOOR TABLE Drawing View8
	1:10	

DRAWING ARE NOT TO BE SCALED. CONTRACTOR MUST CHECK AND VERIFY ALL JOB DIMENSIONS, DRAWINGS, DETAILS AND SPECIFICATIONS; AND REPORT ANY DISCREPANCIES TO DESIGNER BEFORE PROCEEDING WITH WORK.

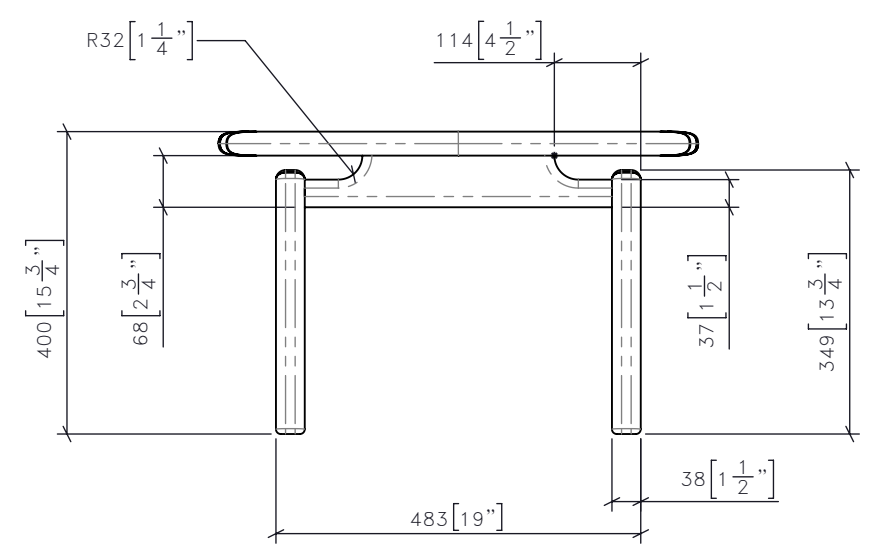
-REV/	-ISSUED FOR	-DATE

STUDIO MUNGE
25 WINGOLD AVENUE
TORONTO, ONTARIO
M6B 1P8 CANADA
416.588.1668
STUDIOMUNGE.COM

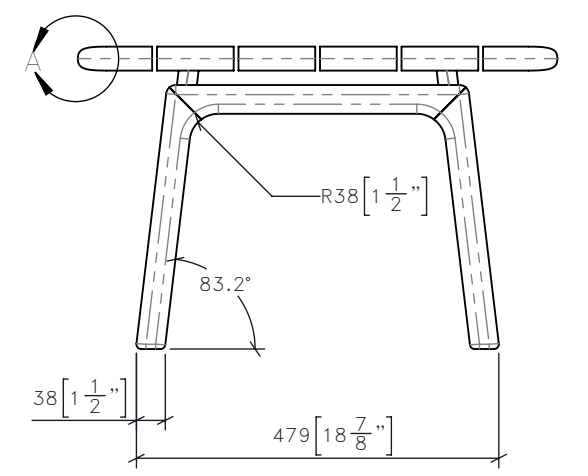
-SCALE AS NOTED	-DATE 2/3/21
-DRAWN BY EP	-CHECKED BY
-PROJECT NAME AM COLLECTION	
-DRAWING TITLE CG-XX SMALL OUTDOOR TABLE	
-PROJECT NUMBER 17148	
-DRAWING NUMBER 2 / 4	

DRAWING ARE NOT TO BE SCALED. CONTRACTOR MUST CHECK AND VERIFY ALL JOB DIMENSIONS, DRAWINGS, DETAILS AND SPECIFICATIONS; AND REPORT ANY DISCREPANCIES TO DESIGNER BEFORE PROCEEDING WITH WORK.

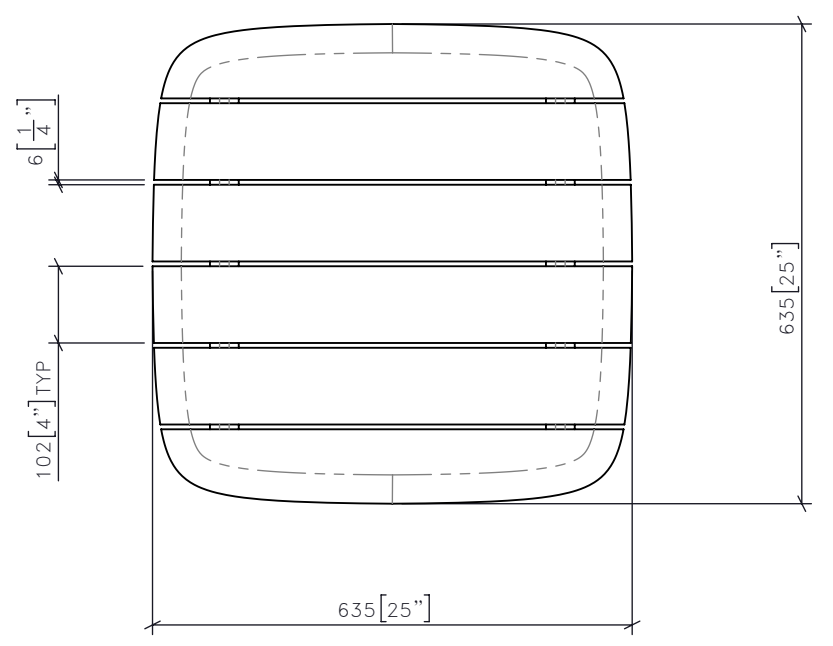
-REV/	-ISSUED FOR	-DATE



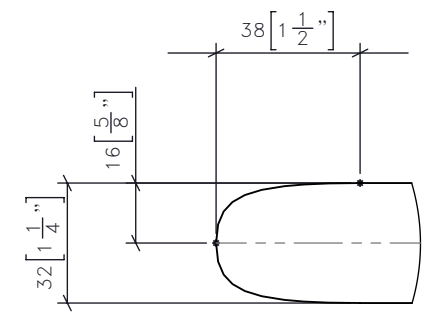
3 CG-XX
1:10 **SMALL OUTDOOR TABLE
FRONT ELEVATION**



5 CG-XX
1:10 **SMALL OUTDOOR TABLE
SIDE ELEVATION**



4 CG-XX
1:10 **SMALL OUTDOOR TABLE
PLAN**



DETAIL A
SCALE 1 : 2

**STUDIO
MUNGE**
25 WINGOLD AVENUE
TORONTO, ONTARIO
M6B 1P8 CANADA
416.588.1668
STUDIOMUNGE.COM

-SCALE
AS NOTED

-DATE
2/3/21

-DRAWN BY
EP

-CHECKED BY

-PROJECT NAME

AM COLLECTION

-DRAWING TITLE

CG-XX
SMALL OUTDOOR TABLE

-PROJECT NUMBER
17148

-DRAWING NUMBER
3 / 4

STUDIO MUNGE
Y
M
D
C
B
A
Y



DRAWING ARE NOT TO BE SCALED. CONTRACTOR MUST CHECK AND VERIFY ALL JOB DIMENSIONS, DRAWINGS, DETAILS AND SPECIFICATIONS; AND REPORT ANY DISCREPANCIES TO DESIGNER BEFORE PROCEEDING WITH WORK.

-REV/	-ISSUED FOR	-DATE

**STUDIO
MUNGE**
25 WINGOLD AVENUE
TORONTO, ONTARIO
M6B 1P8 CANADA
416.588.1668
STUDIOMUNGE.COM

-SCALE
AS NOTED

-DATE
2/3/21

-DRAWN BY
EP

-CHECKED BY

-PROJECT NAME

AM COLLECTION

-DRAWING TITLE

CG-XX
SMALL OUTDOOR TABLE

-PROJECT NUMBER
17148

-DRAWING NUMBER
4 / 4