

STUDIO MUNGE

SEATING INSTRUCTONS:

- ALL SEAMS TO BE BLIND UNLESS OTHERWISE SPECIFIED
- SUBMITTAL OF SHOP DRAWINGS, FINISH SAMPLES, AND/OR PROTOTYPE TO STUDIO MUNGE FOR REVIEW AND WRITTEN APPROVAL IS REQUIRED FOR ALL PIECES SUPPLIED BY INDICATED VENDOR OR OTHER.
- TO BE TIGHT UPHOLSTERED UNLESS OTHERWISE SPECIFIED
- DRAWINGS PROVIDED ARE FOR DESIGN INTENT ONLY
- PROVIDE CONTRACT QUALITY LOW PROFILE LEVELERS AS REQUIRED
- PROVIDE CONTRACT QUALITY LOW PROFILE GLIDES TO PROTECT FLOOR FROM SCRATCHING
- REFER TO DRAWINGS FOR DETAILS
- HARDWARE TO BE HIDDEN UNLESS OTHERWISE SPECIFIED
- HARDWARE TO BE REVIEWED AND APPROVED BY SM
- MANUFACTURER TO ENSURE NO ISSUE WITH SITE ACCESS AND CLEARANCE FOR DELIVERY AND INSTALLATION
- PURCHASING AGENT TO SUBMIT ALL NEW SUBSTITUTIONS TO STUDIO MUNGE FOR WRITTEN APPROVAL PRIOR TO MANUFACTURING AND PURCHASING

ACCESSORY CODE	DESCRIPTION
	REFER TO CUTSHEET
	REFER TO CUTSHEET
REQUIRED ITEM(S) FOR DESIGNER APPROVAL PRIOR TO FABRICATION	
<input type="checkbox"/> SEAMING DIAGRAM	<input type="checkbox"/> SHOP DRAWINGS
<input type="checkbox"/> PROTOTYPE	<input type="checkbox"/> FINISH SAMPLE

DRAWING ARE NOT TO BE SCALED. CONTRACTOR MUST CHECK AND VERIFY ALL JOB DIMENSIONS, DRAWINGS, DETAILS AND SPECIFICATIONS; AND REPORT ANY DISCREPANCIES TO DESIGNER BEFORE PROCEEDING WITH WORK.

-REV/	-ISSUED FOR	-DATE

STUDIO
MUNGE

25 WINGOLD AVENUE
 TORONTO, ONTARIO
 M6B 1P8 CANADA
 416.588.1668
 STUDIOMUNGE.COM

MATERIAL INSTRUCTONS:

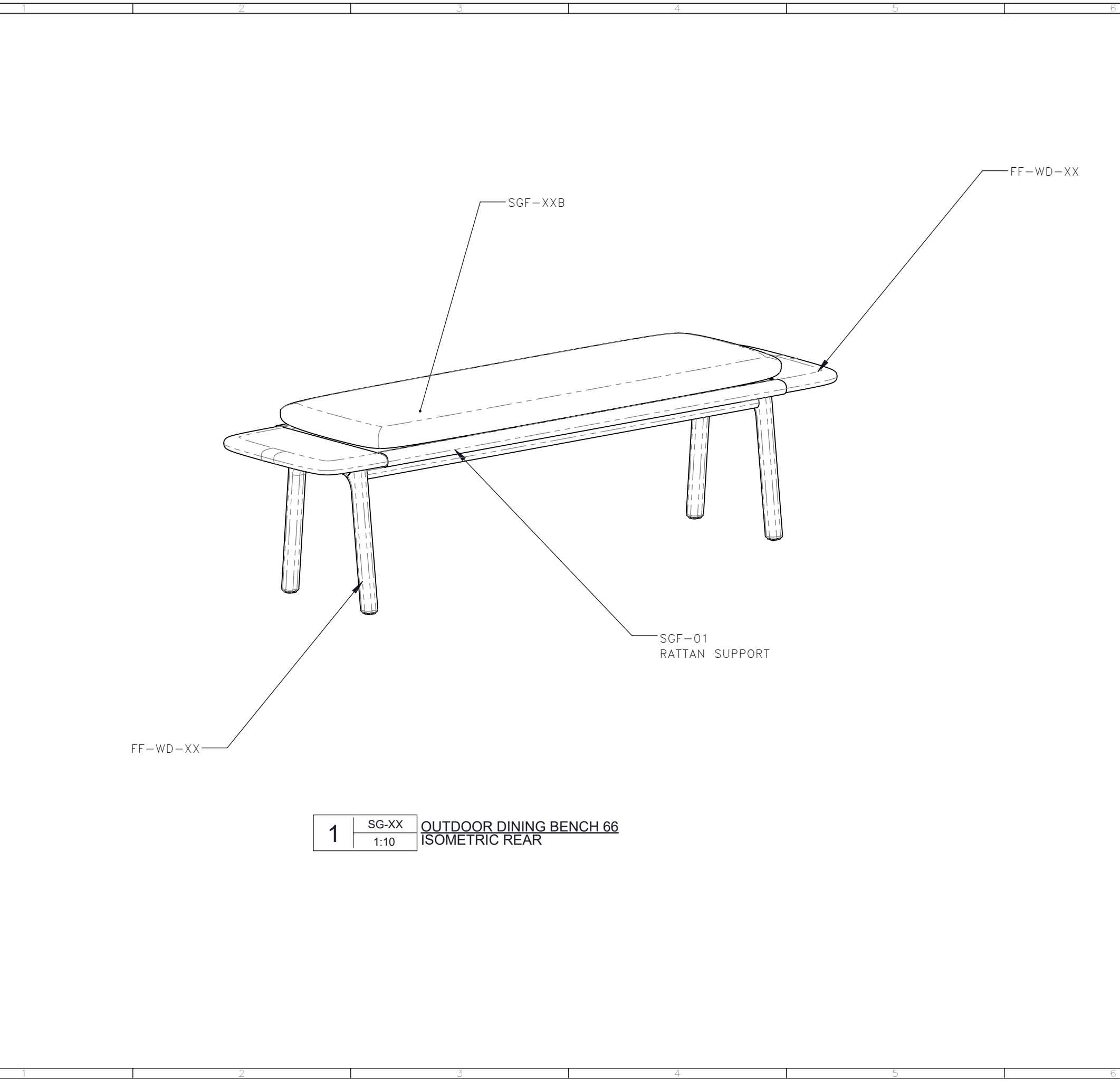
-MATERIALS TO BE OUTDOOR GRADE WHEN REQUIRED AND SPECIFIED IN DRAWINGS AND ORDER

MATERIAL CODE	DESCRIPTION	COLOR/FINISH



-SCALE AS NOTED	-DATE 2/18/21
-DRAWN BY RC	-CHECKED BY
-PROJECT NAME AM COLLECTION	
-DRAWING TITLE SG-XX OUTDOOR DINING BENCH 66	
-PROJECT NUMBER 17148	
-DRAWING NUMBER 1 / 4	

STUDIO MUNGE
Y
F
E
D
C
B
A
Y



DRAWING ARE NOT TO BE SCALED. CONTRACTOR MUST CHECK AND VERIFY ALL JOB DIMENSIONS, DRAWINGS, DETAILS AND SPECIFICATIONS; AND REPORT ANY DISCREPANCIES TO DESIGNER BEFORE PROCEEDING WITH WORK.

-REV/	-ISSUED FOR	-DATE

STUDIO MUNGE
25 WINGOLD AVENUE
TORONTO, ONTARIO
M6B 1P8 CANADA
416.588.1668
STUDIOMUNGE.COM

-SCALE
AS NOTED

-DATE
2/18/21

-DRAWN BY
RC

-CHECKED BY

-PROJECT NAME

AM COLLECTION

-DRAWING TITLE

SG-XX
OUTDOOR DINING BENCH 66

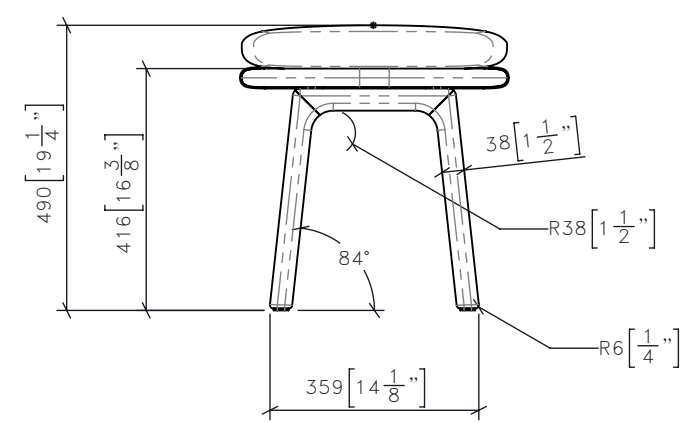
-PROJECT NUMBER
17148

-DRAWING NUMBER
2 / 4

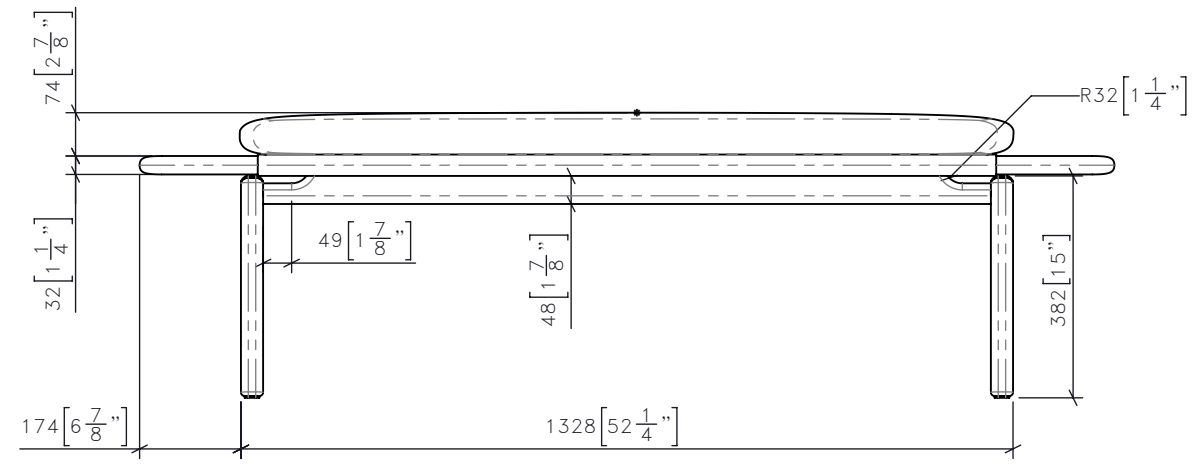
1	SG-XX	OUTDOOR DINING BENCH 66 ISOMETRIC REAR
	1:10	

DRAWING ARE NOT TO BE SCALED. CONTRACTOR MUST CHECK AND VERIFY ALL JOB DIMENSIONS, DRAWINGS, DETAILS AND SPECIFICATIONS; AND REPORT ANY DISCREPANCIES TO DESIGNER BEFORE PROCEEDING WITH WORK.

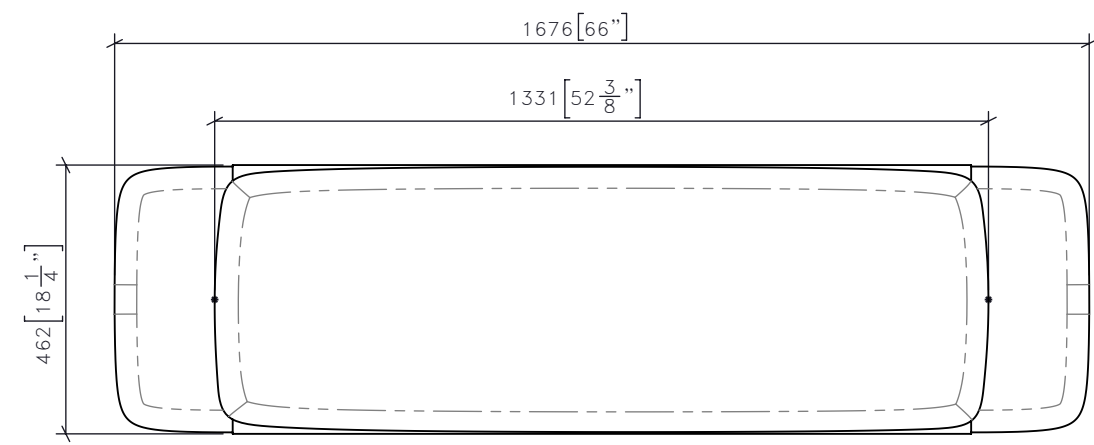
REV	ISSUED FOR	DATE



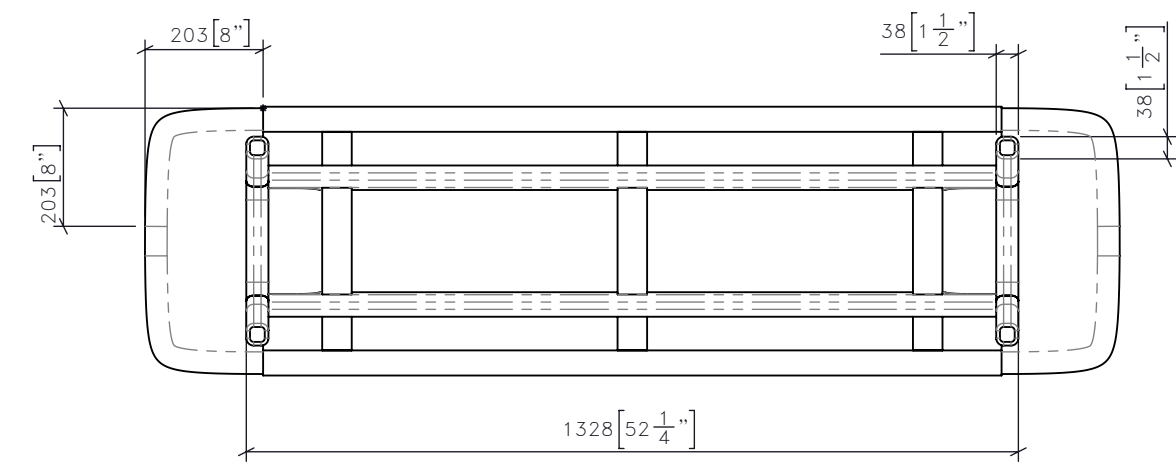
3 | SG-XX | **OUTDOOR DINING BENCH 66**
1:13 | FRONT ELEVATION



5 | SG-XX | **OUTDOOR DINING BENCH 66**
1:13 | BACK ELEVATION



4 | SG-XX | **OUTDOOR DINING BENCH 66**
1:13 | PLAN



6 | SG-XX | **OUTDOOR DINING BENCH 66**
1:13 | BOTTOM PLAN

STUDIO MUNGE
25 WINGOLD AVENUE
TORONTO, ONTARIO
M6B 1P8 CANADA
416.588.1668
STUDIOMUNGE.COM

-SCALE
AS NOTED

-DATE
2/18/21

-DRAWN BY
RC

-CHECKED BY

-PROJECT NAME

AM COLLECTION

-DRAWING TITLE

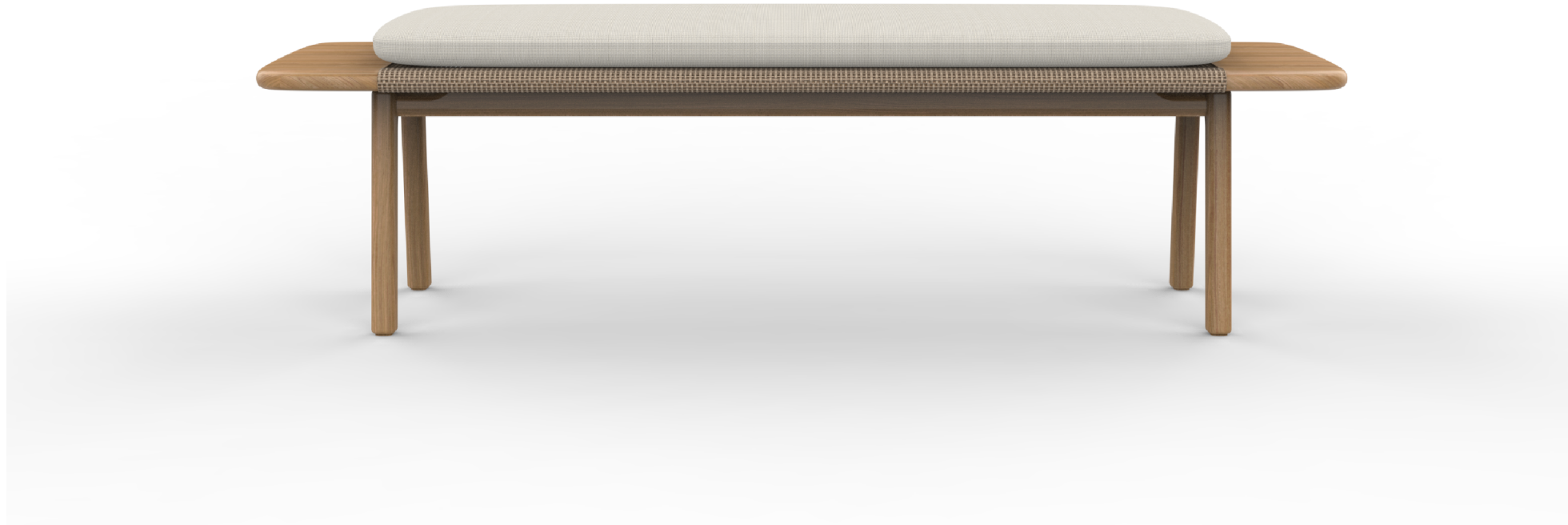
SG-XX
OUTDOOR DINING BENCH 66

-PROJECT NUMBER
17148

-DRAWING NUMBER
3 / 4

STUDIO MUNGE
Y
E
M
D
C
B
A
Y

IMAGE AS REFERENCE FOR THE CUSHIONS LOOK ONLY



9	SG-XX	OUTDOOR DINING BENCH 66 RENDERED VIEW
	1:8	

DRAWING ARE NOT TO BE SCALED. CONTRACTOR MUST CHECK AND VERIFY ALL JOB DIMENSIONS, DRAWINGS, DETAILS AND SPECIFICATIONS; AND REPORT ANY DISCREPANCIES TO DESIGNER BEFORE PROCEEDING WITH WORK.

-REV/	-ISSUED FOR	-DATE

STUDIO MUNGE
25 WINGOLD AVENUE
TORONTO, ONTARIO
M6B 1P8 CANADA
416.588.1668
STUDIOMUNGE.COM

-SCALE
AS NOTED

-DATE
2/18/21

-DRAWN BY
RC

-CHECKED BY

-PROJECT NAME

AM COLLECTION

-DRAWING TITLE

SG-XX
OUTDOOR DINING BENCH 66

-PROJECT NUMBER
17148

-DRAWING NUMBER
4 / 4