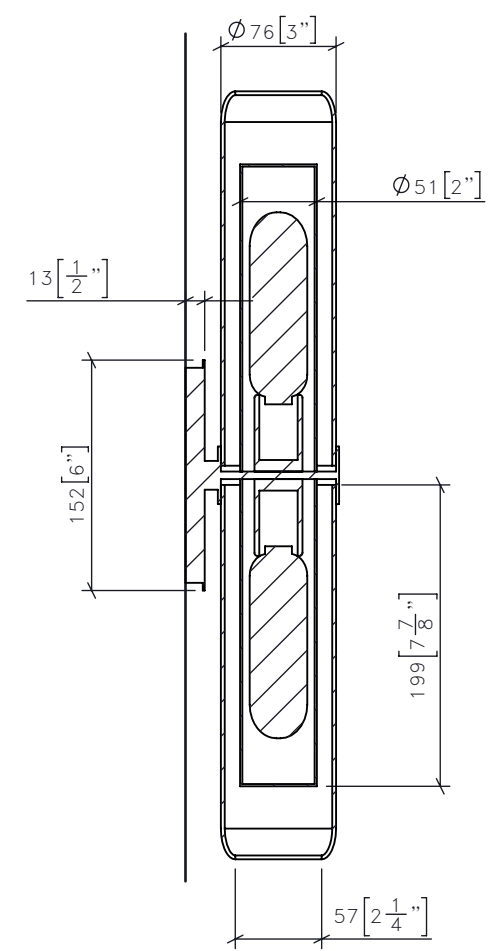
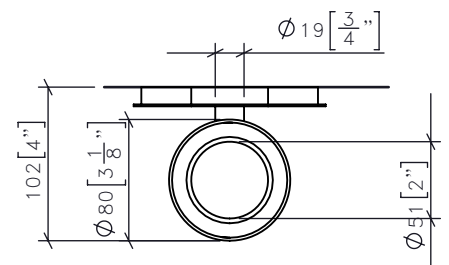


1 | LT-203 | WALLSCONCE
1:5 | FRONT ELEVATION



3 | LT-203 | WALLSCONCE
1:5 | SECTION F-F



2 | LT-203 | WALLSCONCE
1:5 | PLAN

-REV/	-ISSUED FOR	-DATE

STUDIO MUNGE
 25 WINGOLD AVENUE
 TORONTO, ONTARIO
 M6B 1P8 CANADA
 416.588.1668
 STUDIOMUNGE.COM

-SCALE AS NOTED	-DATE 10/15/19
-DRAWN BY EP	-CHECKED BY
-PROJECT NAME THE RAY ROOFTOP	
-DRAWING TITLE LT-203 WALLSCONCE	
-PROJECT NUMBER 18113	
-DRAWING NUMBER 1 / 2	

FOR DESIGN INTENT ONLY

DRAWING ARE NOT TO BE SCALED. CONTRACTOR MUST CHECK AND VERIFY ALL JOB DIMENSIONS, DRAWINGS, DETAILS AND SPECIFICATIONS; AND REPORT ANY DISCREPANCIES TO DESIGNER BEFORE PROCEEDING WITH WORK.

-REV/	-ISSUED FOR	-DATE



**STUDIO
MUNGE**
 25 WINGOLD AVENUE
 TORONTO, ONTARIO
 M6B 1P8 CANADA
 416.588.1668
 STUDIOMUNGE.COM

-SCALE
AS NOTED

-DATE
10/15/19

-DRAWN BY
EP

-CHECKED BY

-PROJECT NAME

THE RAY ROOFTOP

-DRAWING TITLE

LT-203
WALLSCONCE

-PROJECT NUMBER
18113

-DRAWING NUMBER
2 / 2