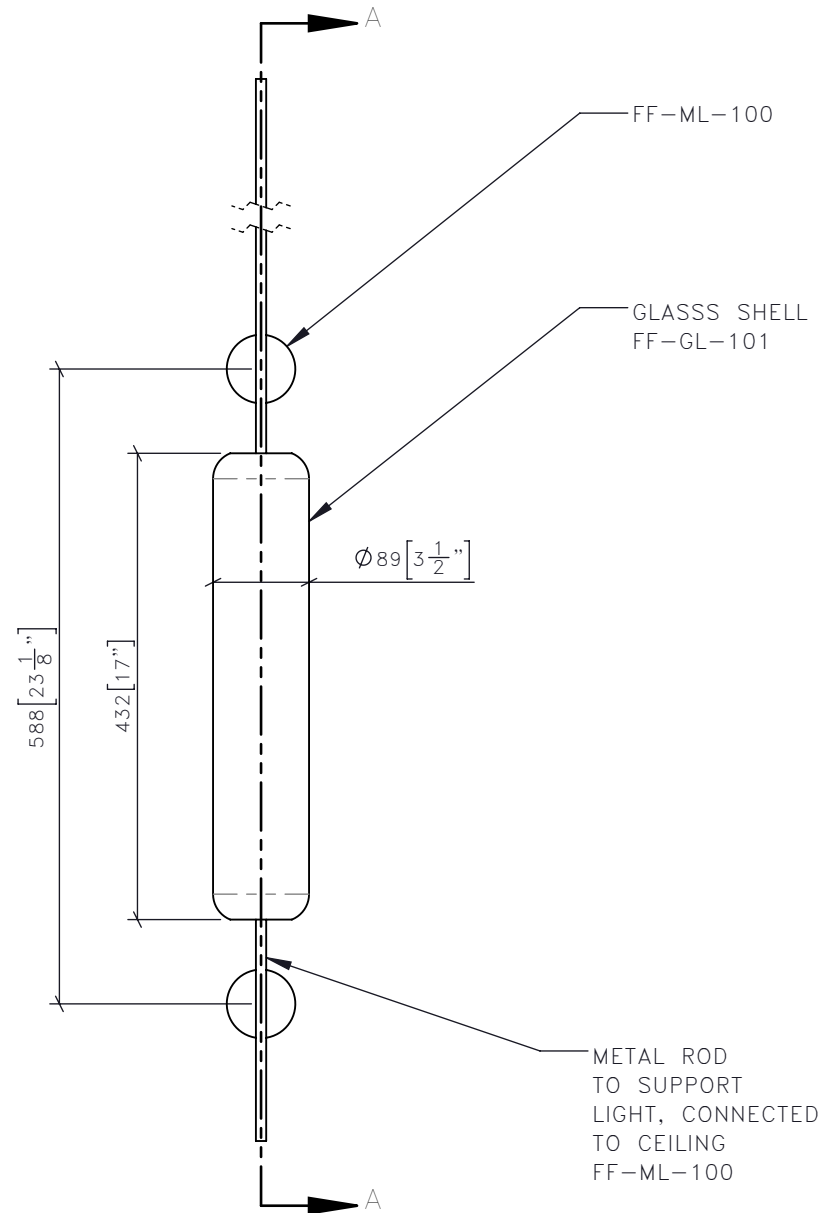
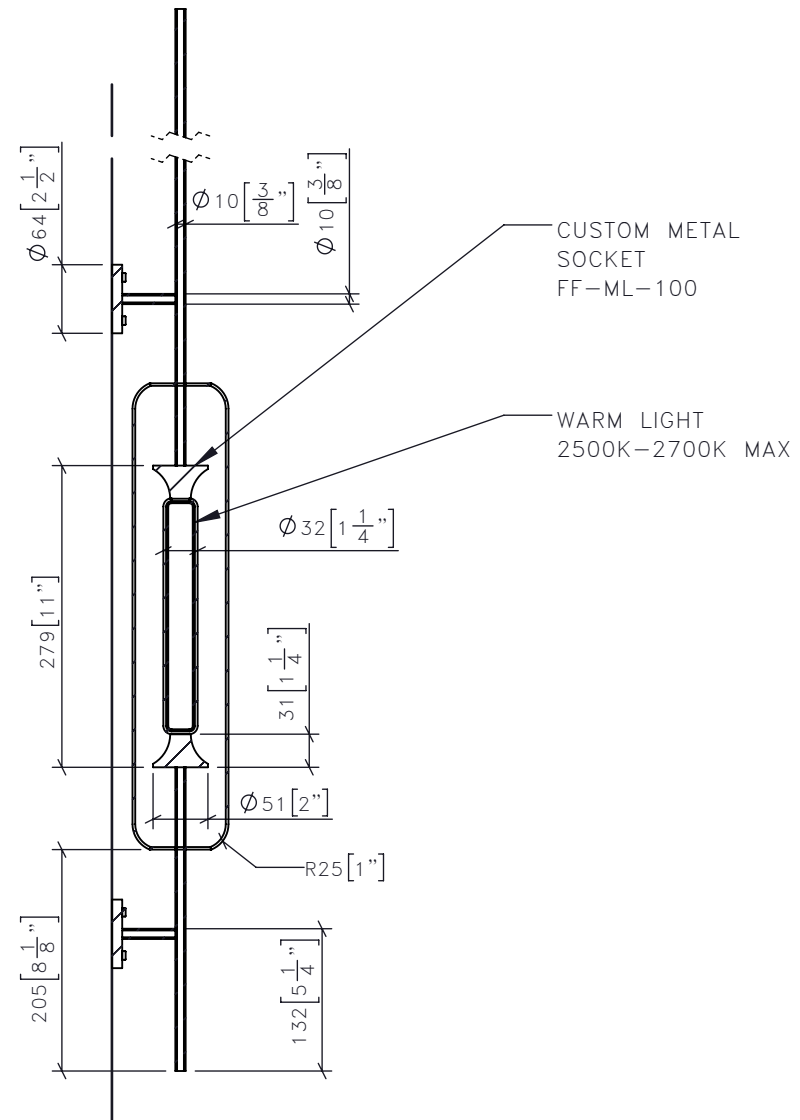


FOR DESIGN INTENT ONLY

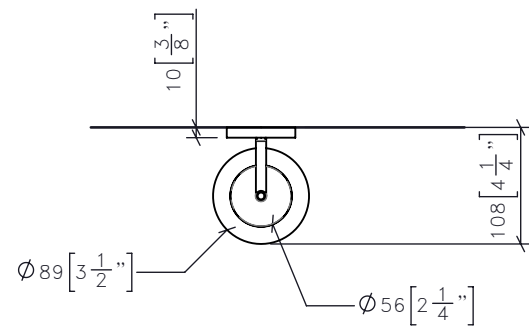
DRAWING ARE NOT TO BE SCALED. CONTRACTOR MUST CHECK AND VERIFY ALL JOB DIMENSIONS, DRAWINGS, DETAILS AND SPECIFICATIONS; AND REPORT ANY DISCREPANCIES TO DESIGNER BEFORE PROCEEDING WITH WORK.



1 | LT-101 | WALL SCONCE
1:7 | FRONT ELEVATION



3 | LT-101 | WALL SCONCE
1:7 | SECTION A-A



2 | LT-101 | WALL SCONCE
1:7 | PLAN

-REV/	-ISSUED FOR	-DATE

POWER REQUIRED: 50 WATTS

STUDIO MUNGE
25 WINGOLD AVENUE
TORONTO, ONTARIO
M6B 1P8 CANADA
416.588.1668
STUDIOMUNGE.COM

POWER REQUIRED: 50 WATTS

-SCALE AS NOTED | -DATE 2/10/20

-DRAWN BY EP | -CHECKED BY

-PROJECT NAME

THE RAY GRILL

-DRAWING TITLE

LT-101
WALL SCONCE

-PROJECT NUMBER
18113

-DRAWING NUMBER
1 / 2

STUDIO MUNGE
E
D
C
B
A
Y



FOR DESIGN INTENT ONLY

DRAWING ARE NOT TO BE SCALED. CONTRACTOR MUST CHECK AND VERIFY ALL JOB DIMENSIONS, DRAWINGS, DETAILS AND SPECIFICATIONS; AND REPORT ANY DISCREPANCIES TO DESIGNER BEFORE PROCEEDING WITH WORK.

-REV/	-ISSUED FOR	-DATE

STUDIO MUNGE
25 WINGOLD AVENUE
TORONTO, ONTARIO
M6B 1P8 CANADA
416.588.1668
STUDIOMUNGE.COM

-SCALE
AS NOTED

-DATE
2/10/20

-DRAWN BY
EP

-CHECKED BY

-PROJECT NAME

THE RAY GRILL

-DRAWING TITLE

LT-101
WALL SCONCE

-PROJECT NUMBER
18113

-DRAWING NUMBER
2 / 2