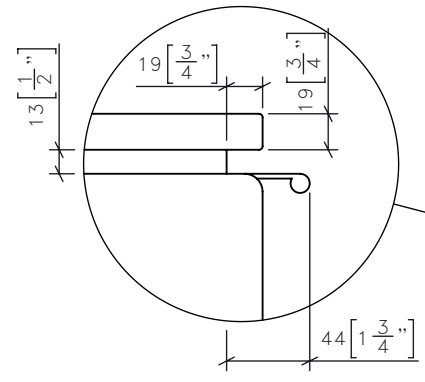
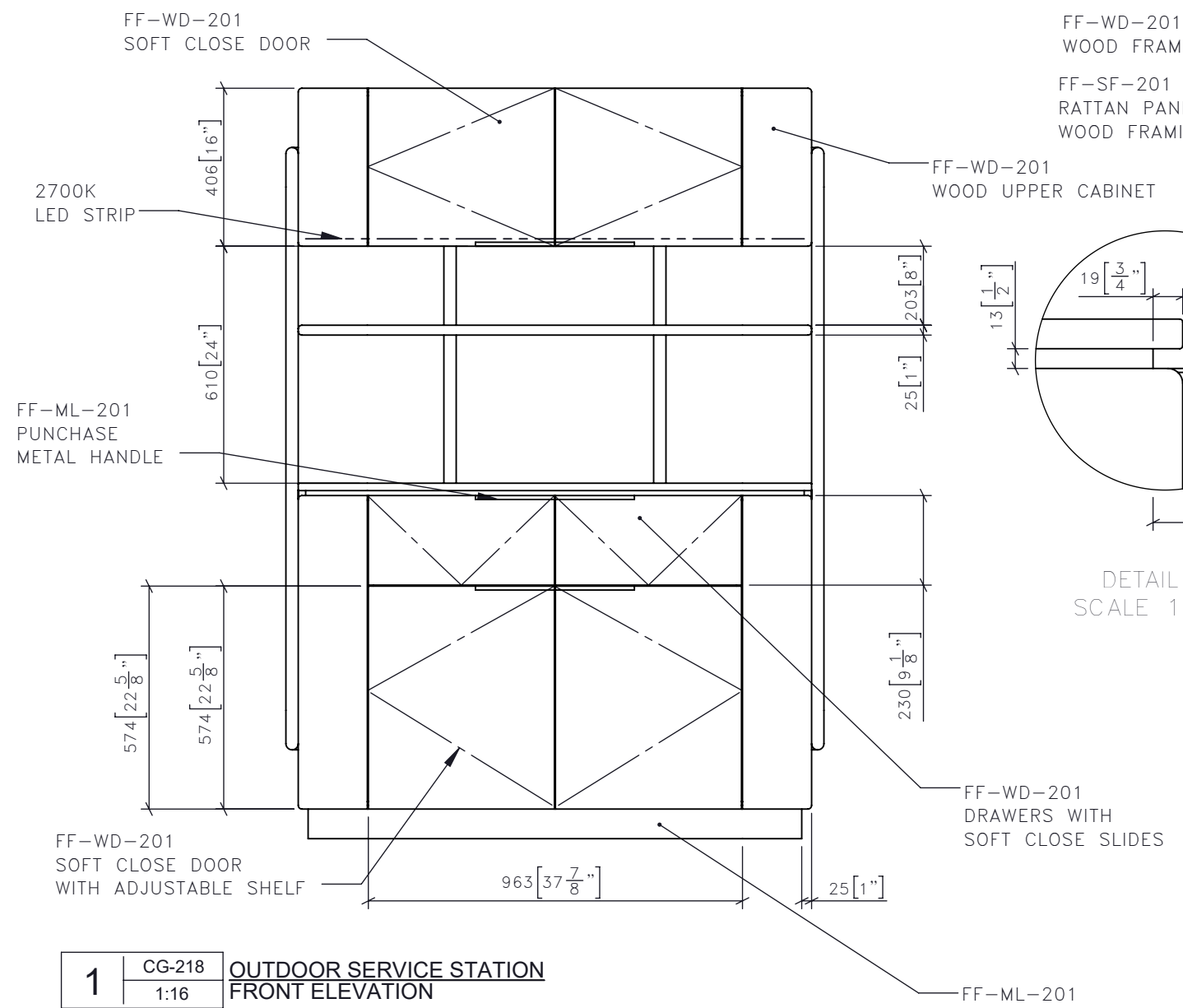


STUDIO MUNGE

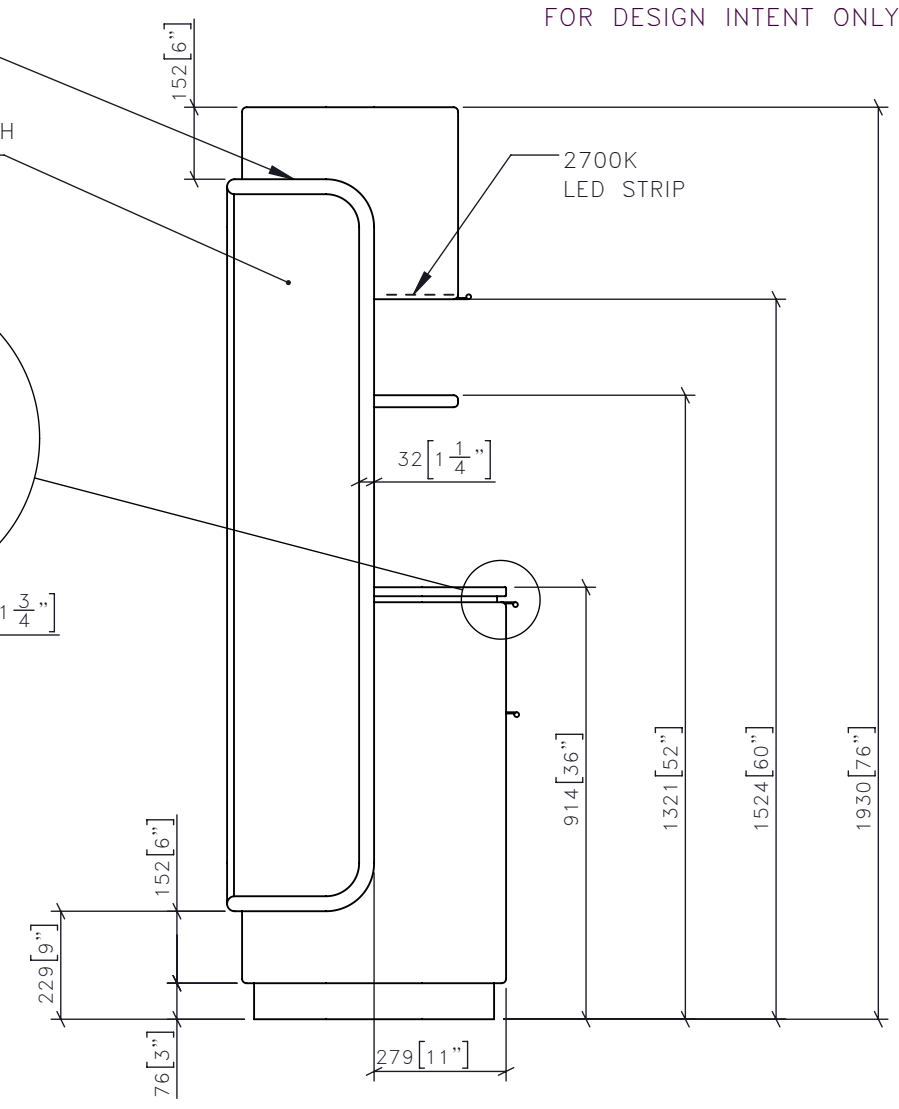
FOR DESIGN INTENT ONLY

DRAWING ARE NOT TO BE SCALED. CONTRACTOR MUST CHECK AND VERIFY ALL JOB DIMENSIONS, DRAWINGS, DETAILS AND SPECIFICATIONS; AND REPORT ANY DISCREPANCIES TO DESIGNER BEFORE PROCEEDING WITH WORK.

-REV/	-ISSUED FOR	-DATE

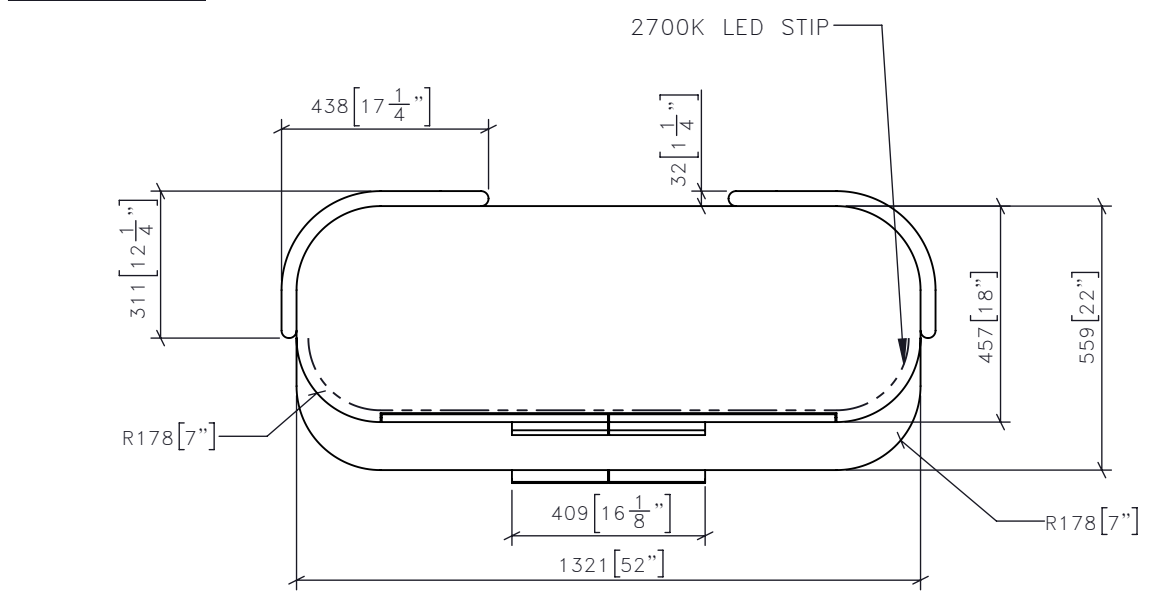


DETAIL F  
SCALE 1 : 4



**3** CG-218 OUTDOOR SERVICE STATION  
1:16 SIDE ELEVATION

**1** CG-218 OUTDOOR SERVICE STATION  
1:16 FRONT ELEVATION



**2** CG-218 OUTDOOR SERVICE STATION  
1:16 PLAN

**STUDIO MUNGE**  
25 WINGOLD AVENUE  
TORONTO, ONTARIO  
M6B 1P8 CANADA  
416.588.1668  
STUDIOMUNGE.COM

-SCALE AS NOTED -DATE 11/19/20

-DRAWN BY CS -CHECKED BY

-PROJECT NAME

THE RAY

-DRAWING TITLE

CG-218  
OUTDOOR SERVICE STATION

-PROJECT NUMBER 18113

-DRAWING NUMBER 1 / 3

STUDIO MUNGE

FOR DESIGN INTENT ONLY

DRAWING ARE NOT TO BE SCALED. CONTRACTOR MUST CHECK AND VERIFY ALL JOB DIMENSIONS, DRAWINGS, DETAILS AND SPECIFICATIONS; AND REPORT ANY DISCREPANCIES TO DESIGNER BEFORE PROCEEDING WITH WORK.

-REV/	-ISSUED FOR	-DATE

FF-WD-201  
SOFT CLOSE DOOR

FF-ST-201  
STONE TOP

FF-ML-201  
PUNCHASE  
METAL HANDLE

FF-WD-201  
WOOD UPPER CABINET

FF-WD-201  
WOOD FRAME

FF-SF-201  
RATTAN PANELS WITH  
WOOD FRAMING

FF-GL-201  
GLASS SHELF WITH  
WODEN FRAME

FF-ML-201

FF-WD-201  
DRAWERS WITH  
SOFT CLOSE SLIDES

5	CG-218	OUTDOOR SERVICE STATION ISOMETRIC REAR
	1:16	

4	CG-218	OUTDOOR SERVICE STATION ISOMETRIC FRONT
	1:16	

**STUDIO  
MUNGE** 25 WINGOLD AVENUE  
TORONTO, ONTARIO  
M6B 1P8 CANADA  
416.588.1668  
STUDIOMUNGE.COM

-SCALE AS NOTED	-DATE 11/19/20
--------------------	-------------------

-DRAWN BY CS	-CHECKED BY
-----------------	-------------

-PROJECT NAME

THE RAY

-DRAWING TITLE

CG-218  
OUTDOOR SERVICE STATION

-PROJECT NUMBER 18113
--------------------------

-DRAWING NUMBER 2 / 3
--------------------------

STUDIO MUNGE  
E  
F  
D  
C  
B  
A  
Y

1 2 3 4 5 6

FOR DESIGN INTENT ONLY

DRAWING ARE NOT TO BE SCALED. CONTRACTOR MUST CHECK AND VERIFY ALL JOB DIMENSIONS, DRAWINGS, DETAILS AND SPECIFICATIONS; AND REPORT ANY DISCREPANCIES TO DESIGNER BEFORE PROCEEDING WITH WORK.

-REV/	-ISSUED FOR	-DATE



**STUDIO  
MUNGE**  
25 WINGOLD AVENUE  
TORONTO, ONTARIO  
M6B 1P8 CANADA  
416.588.1668  
STUDIOMUNGE.COM

<b>-SCALE</b> AS NOTED	<b>-DATE</b> 11/19/20
<b>-DRAWN BY</b> CS	<b>-CHECKED BY</b> 
<b>-PROJECT NAME</b>  THE RAY	
<b>-DRAWING TITLE</b>  CG-218 OUTDOOR SERVICE STATION	
<b>-PROJECT NUMBER</b> 18113	
<b>-DRAWING NUMBER</b> 3 / 3	

1 2 3 4 5 6