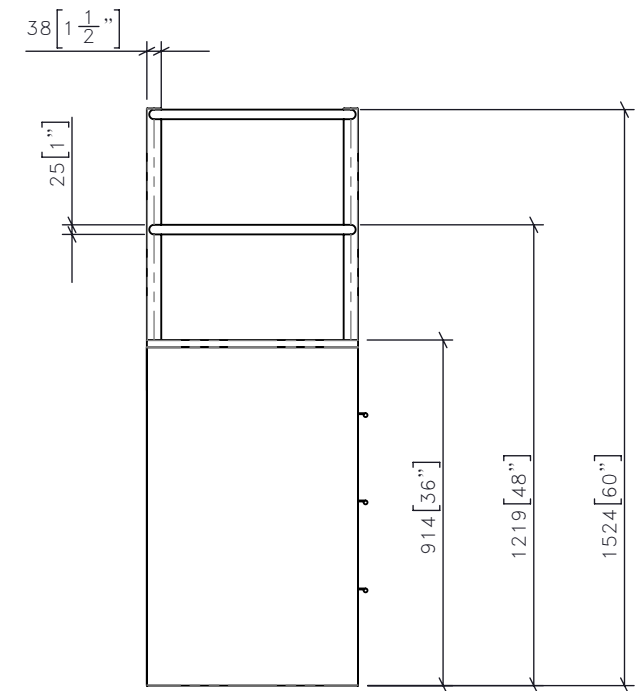
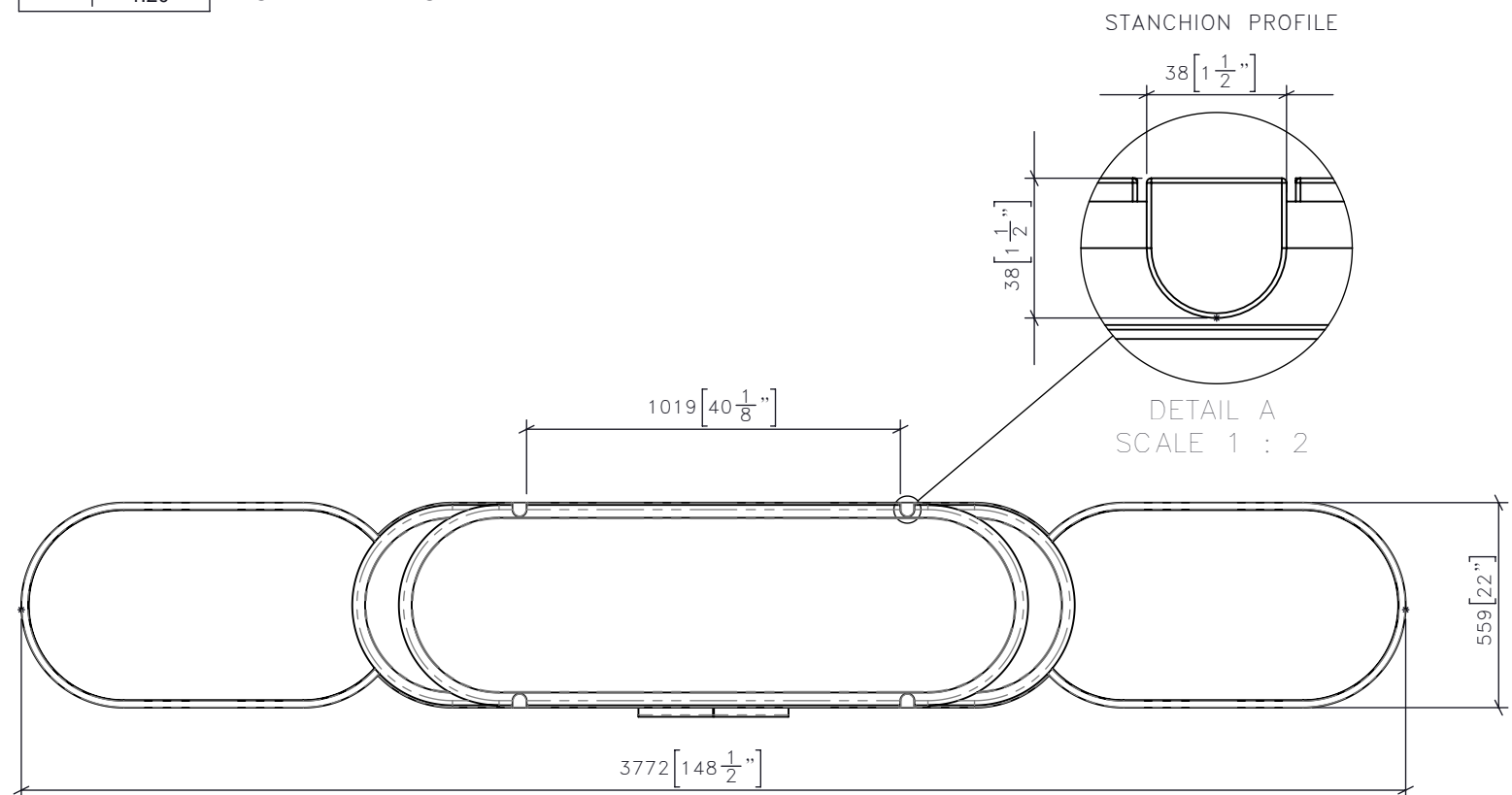


1 CG-111 DISPLAY TABLE FRONT ELEVATION
1:20



3 CG-111 DISPLAY TABLE SIDE ELEVATION
1:20



2 CG-111 DISPLAY TABLE PLAN
1:20

FOR DESIGN INTENT ONLY

DRAWING ARE NOT TO BE SCALED. CONTRACTOR MUST CHECK AND VERIFY ALL JOB DIMENSIONS, DRAWINGS, DETAILS AND SPECIFICATIONS; AND REPORT ANY DISCREPANCIES TO DESIGNER BEFORE PROCEEDING WITH WORK.

-REV/	-ISSUED FOR	-DATE

STUDIO MUNGE
25 WINGOLD AVENUE
TORONTO, ONTARIO
M6B 1P8 CANADA
416.588.1668
STUDIOMUNGE.COM

-SCALE AS NOTED
-DATE 2/11/20

-DRAWN BY CS
-CHECKED BY

-PROJECT NAME

THE RAY

-DRAWING TITLE

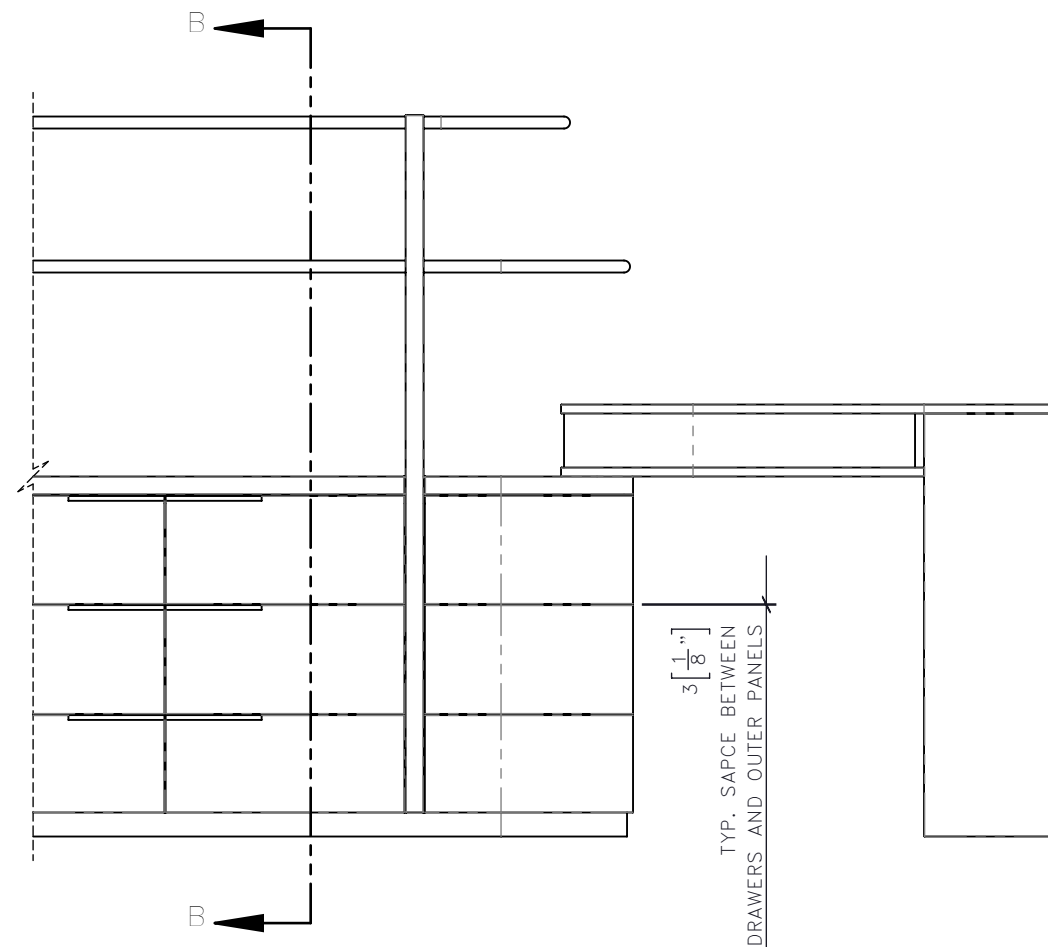
CG-111
DISPLAY TABLE

-PROJECT NUMBER
18113

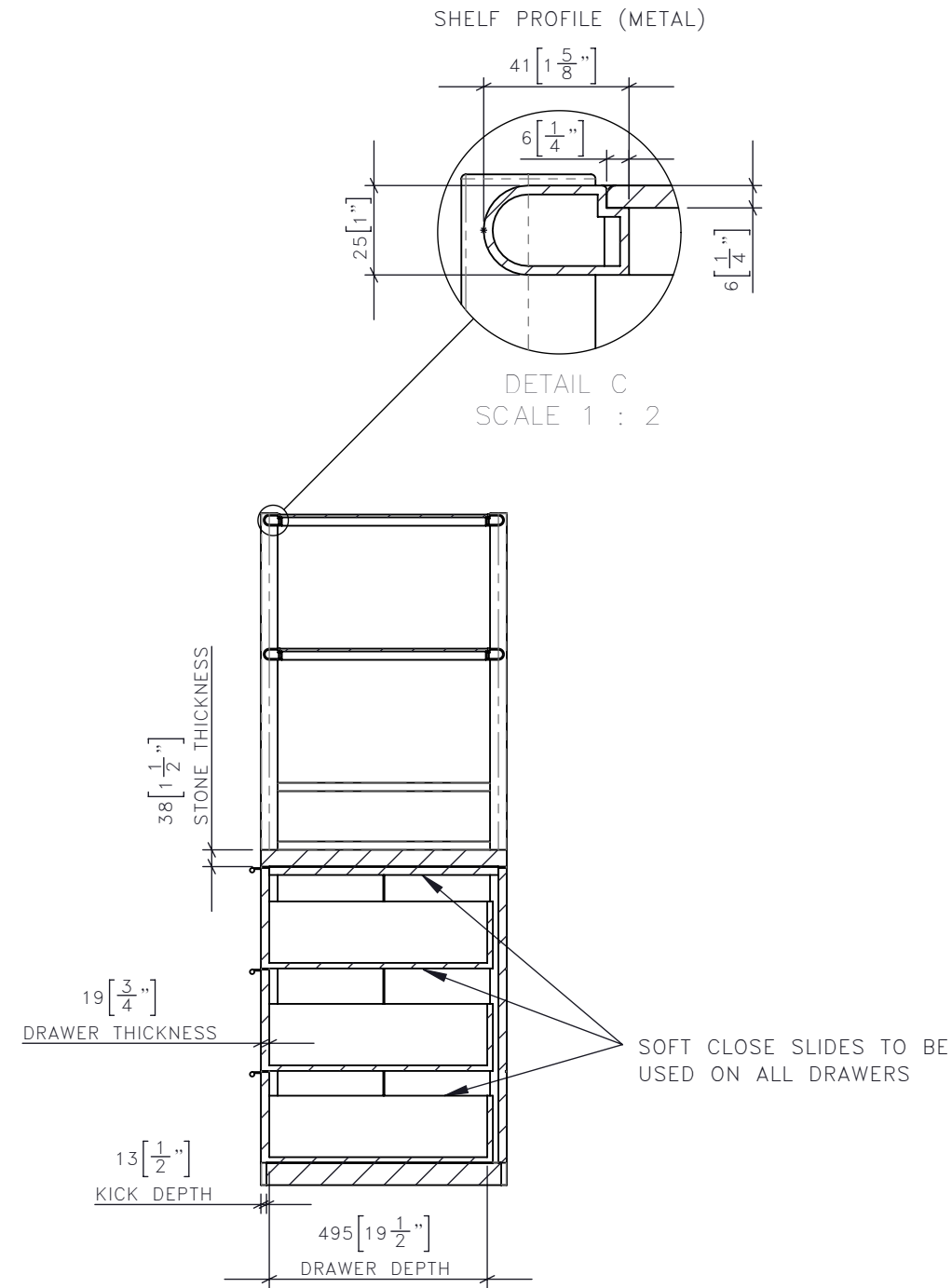
-DRAWING NUMBER
1 / 5

REV	ISSUED FOR	DATE

STUDIO MUNGE
 25 WINGOLD AVENUE
 TORONTO, ONTARIO
 M6B 1P8 CANADA
 416.588.1668
 STUDIOMUNGE.COM



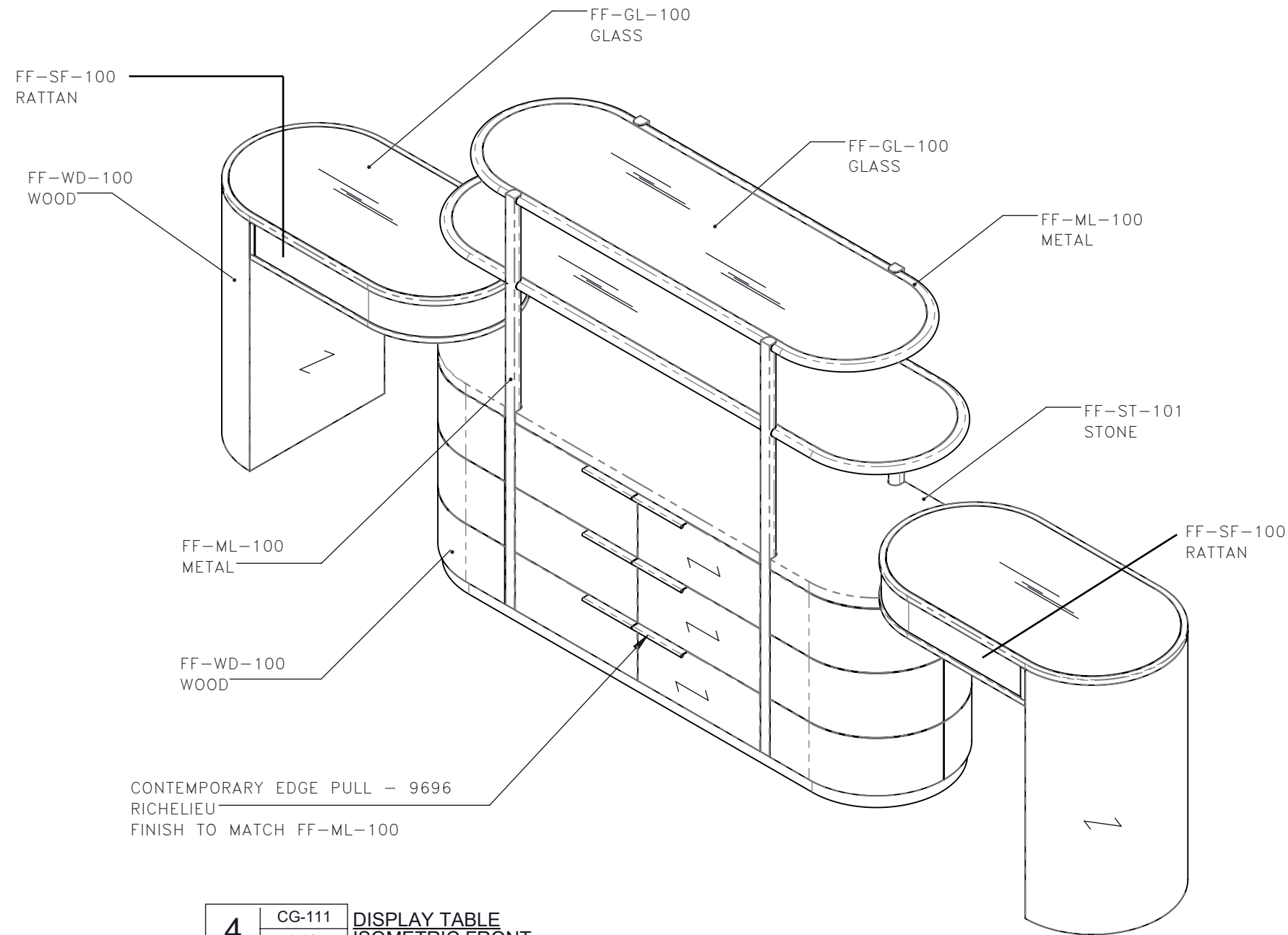
4 CG-111 DISPLAY TABLE
 1:16 FRON ELEVATION



SECTION B-B
5 CG-111 DISPLAY TABLE
 1:16 SIDE ELEVATION SECTION VIEW

-SCALE	AS NOTED	-DATE	2/11/20
-DRAWN BY	CS	-CHECKED BY	
-PROJECT NAME	THE RAY		
-DRAWING TITLE	CG-111 DISPLAY TABLE		
-PROJECT NUMBER	18113		
-DRAWING NUMBER	2 / 5		

-REV/	-ISSUED FOR	-DATE



4 CG-111 DISPLAY TABLE ISOMETRIC FRONT
1:16

STUDIO MUNGE
 25 WINGOLD AVENUE
 TORONTO, ONTARIO
 M6B 1P8 CANADA
 416.588.1668
 STUDIOMUNGE.COM

-SCALE AS NOTED	-DATE 2/11/20
-DRAWN BY CS	-CHECKED BY
-PROJECT NAME THE RAY	
-DRAWING TITLE CG-111 DISPLAY TABLE	
-PROJECT NUMBER 18113	
-DRAWING NUMBER 3 / 5	

STUDIO MUNGE
E
F
D
C
B
A
Y

1 2 3 4 5 6

FOR DESIGN INTENT ONLY

DRAWING ARE NOT TO BE SCALED. CONTRACTOR MUST CHECK AND VERIFY ALL JOB DIMENSIONS, DRAWINGS, DETAILS AND SPECIFICATIONS; AND REPORT ANY DISCREPANCIES TO DESIGNER BEFORE PROCEEDING WITH WORK.

-REV/	-ISSUED FOR	-DATE



**STUDIO
MUNGE**
25 WINGOLD AVENUE
TORONTO, ONTARIO
M6B 1P8 CANADA
416.588.1668
STUDIOMUNGE.COM

-SCALE AS NOTED	-DATE 2/11/20
-DRAWN BY CS	-CHECKED BY
-PROJECT NAME THE RAY	
-DRAWING TITLE CG-111 DISPLAY TABLE	
-PROJECT NUMBER 18113	
-DRAWING NUMBER 4 / 5	

1 2 3 4 5 6

STUDIO MUNGE
E
F
D
C
B
A
Y

1 2 3 4 5 6

FOR DESIGN INTENT ONLY

DRAWING ARE NOT TO BE SCALED. CONTRACTOR MUST CHECK AND VERIFY ALL JOB DIMENSIONS, DRAWINGS, DETAILS AND SPECIFICATIONS; AND REPORT ANY DISCREPANCIES TO DESIGNER BEFORE PROCEEDING WITH WORK.

-REV/	-ISSUED FOR	-DATE



**STUDIO
MUNGE**
25 WINGOLD AVENUE
TORONTO, ONTARIO
M6B 1P8 CANADA
416.588.1668
STUDIOMUNGE.COM

-SCALE
AS NOTED

-DATE
2/11/20

-DRAWN BY
CS

-CHECKED BY

-PROJECT NAME

THE RAY

-DRAWING TITLE

CG-111
DISPLAY TABLE

-PROJECT NUMBER
18113

-DRAWING NUMBER
5 / 5

1 2 3 4 5 6