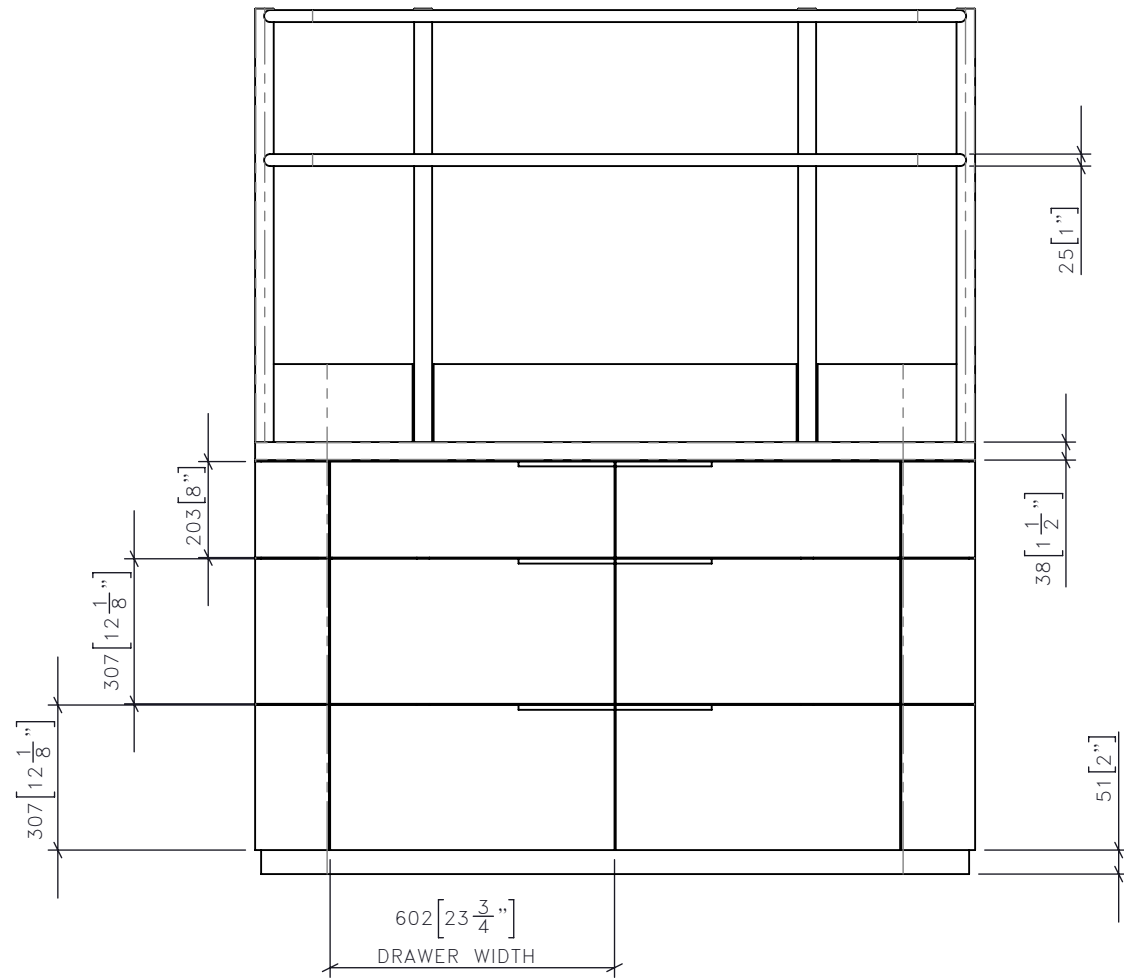


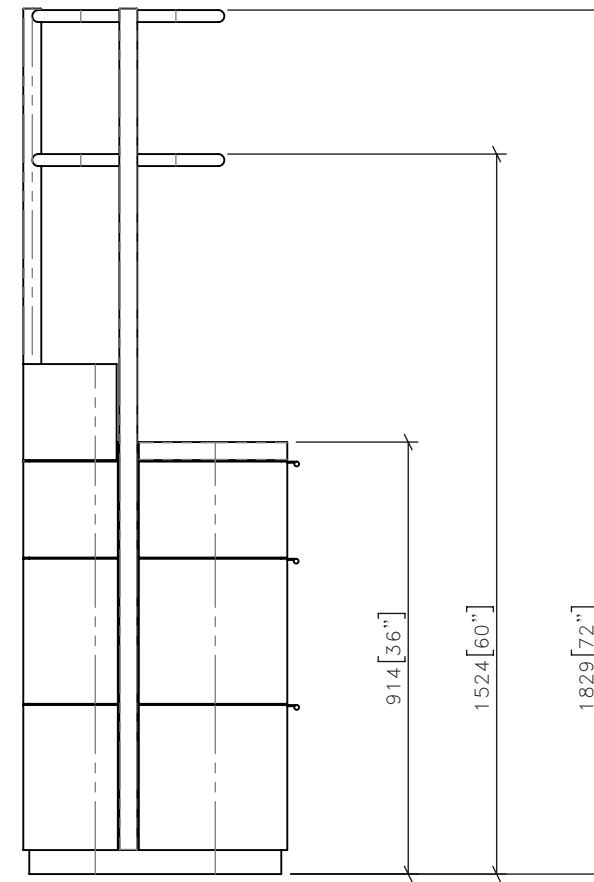
FOR DESIGN INTENT ONLY

DRAWING ARE NOT TO BE SCALED. CONTRACTOR MUST CHECK AND VERIFY ALL JOB DIMENSIONS, DRAWINGS, DETAILS AND SPECIFICATIONS; AND REPORT ANY DISCREPANCIES TO DESIGNER BEFORE PROCEEDING WITH WORK.

-REV/	-ISSUED FOR	-DATE



**1** CG-110 SERVICE STATION FRONT ELEVATION  
1:16



**3** CG-110 SERVICE STATION SIDE ELEVATION  
1:16

**STUDIO MUNGE**  
 25 WINGOLD AVENUE  
 TORONTO, ONTARIO  
 M6B 1P8 CANADA  
 416.588.1668  
 STUDIOMUNGE.COM

**-SCALE** AS NOTED  
**-DATE** 2/11/20

**-DRAWN BY** CS  
**-CHECKED BY**

**-PROJECT NAME**

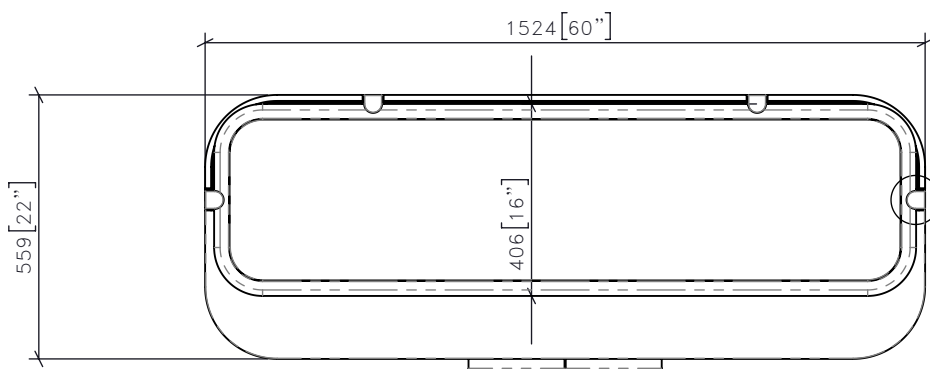
RAY

**-DRAWING TITLE**

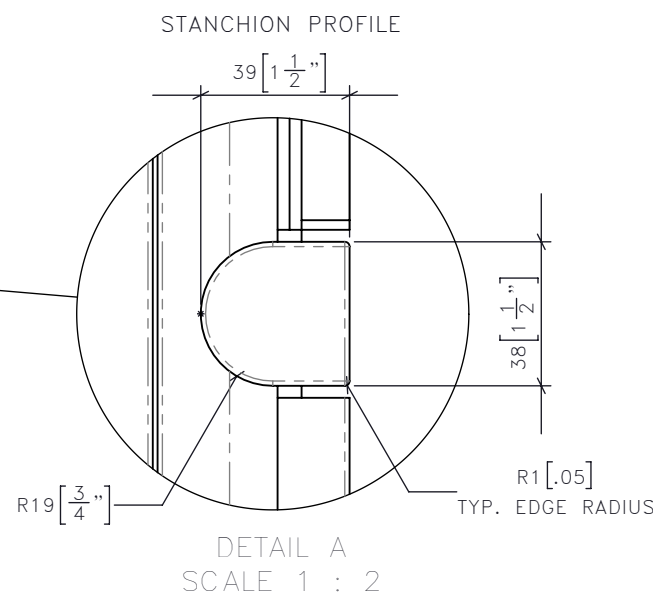
CG-110 SERVICE STATION

**-PROJECT NUMBER** 18113

**-DRAWING NUMBER** 1 / 5



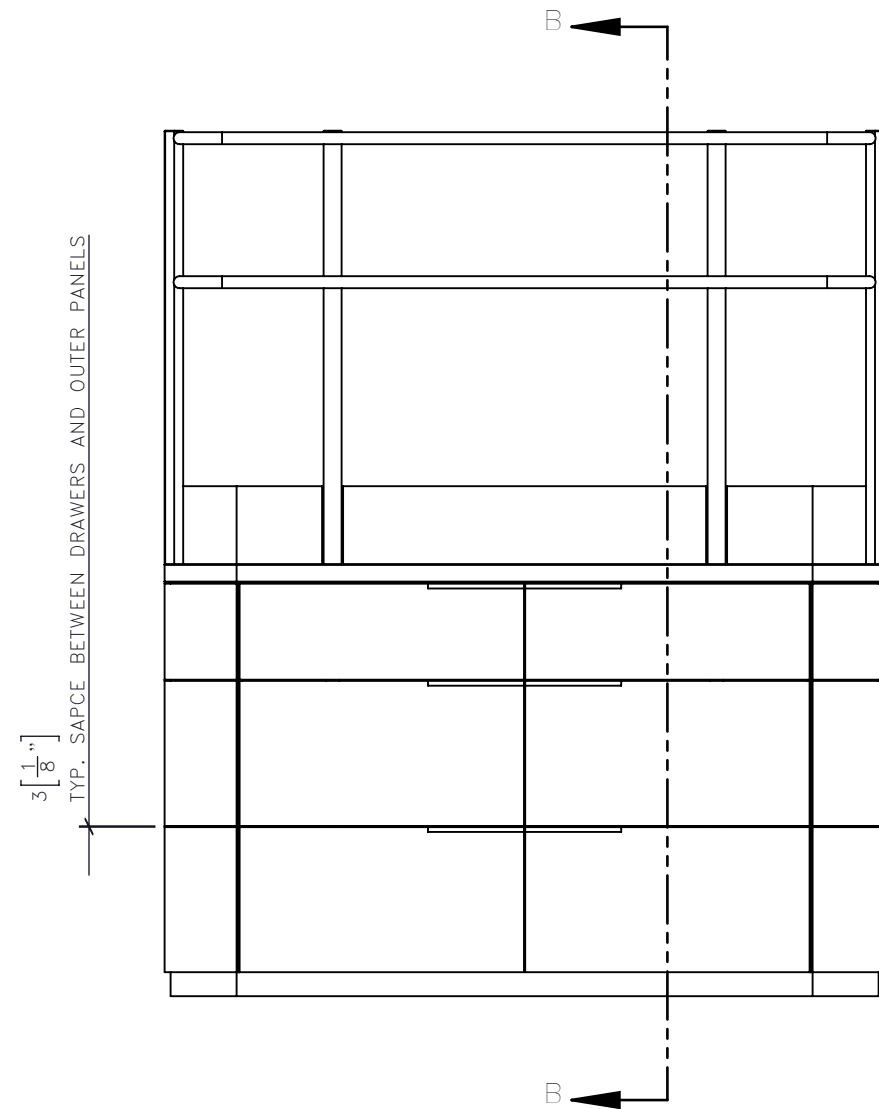
**2** CG-110 SERVICE STATION PLAN  
1:16



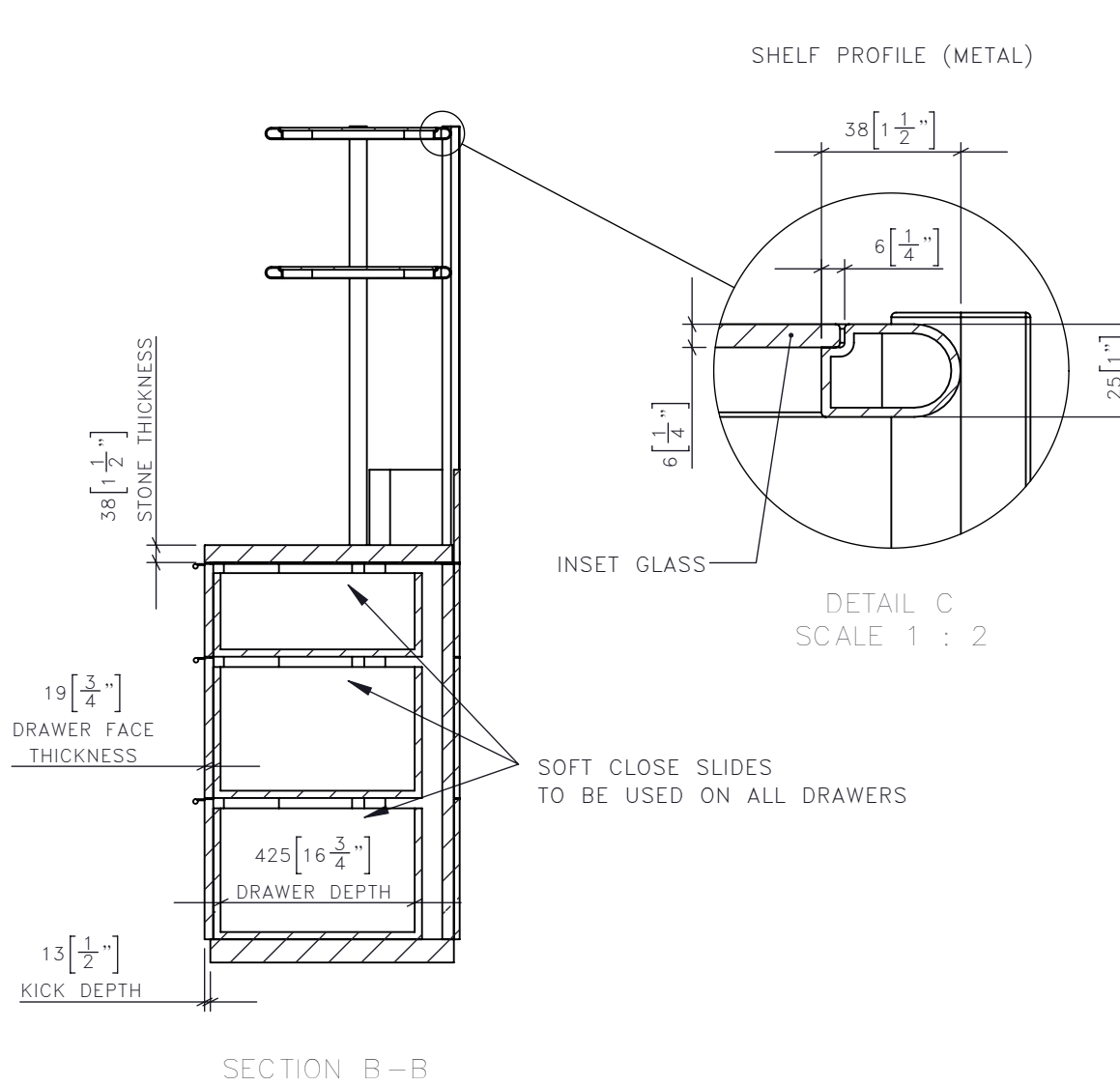
REV	ISSUED FOR	DATE

**STUDIO MUNGE**  
 25 WINGOLD AVENUE  
 TORONTO, ONTARIO  
 M6B 1P8 CANADA  
 416.588.1668  
 STUDIOMUNGE.COM

<b>-SCALE</b> AS NOTED	<b>-DATE</b> 2/11/20
<b>-DRAWN BY</b> CS	<b>-CHECKED BY</b> 
<b>-PROJECT NAME</b>  RAY	
<b>-DRAWING TITLE</b>  CG-110 SERVICE STATION	
<b>-PROJECT NUMBER</b> 18113	
<b>-DRAWING NUMBER</b> 2 / 5	



**4** CG-110 SERVICE STATION  
1:16 FRONT ELEVATION



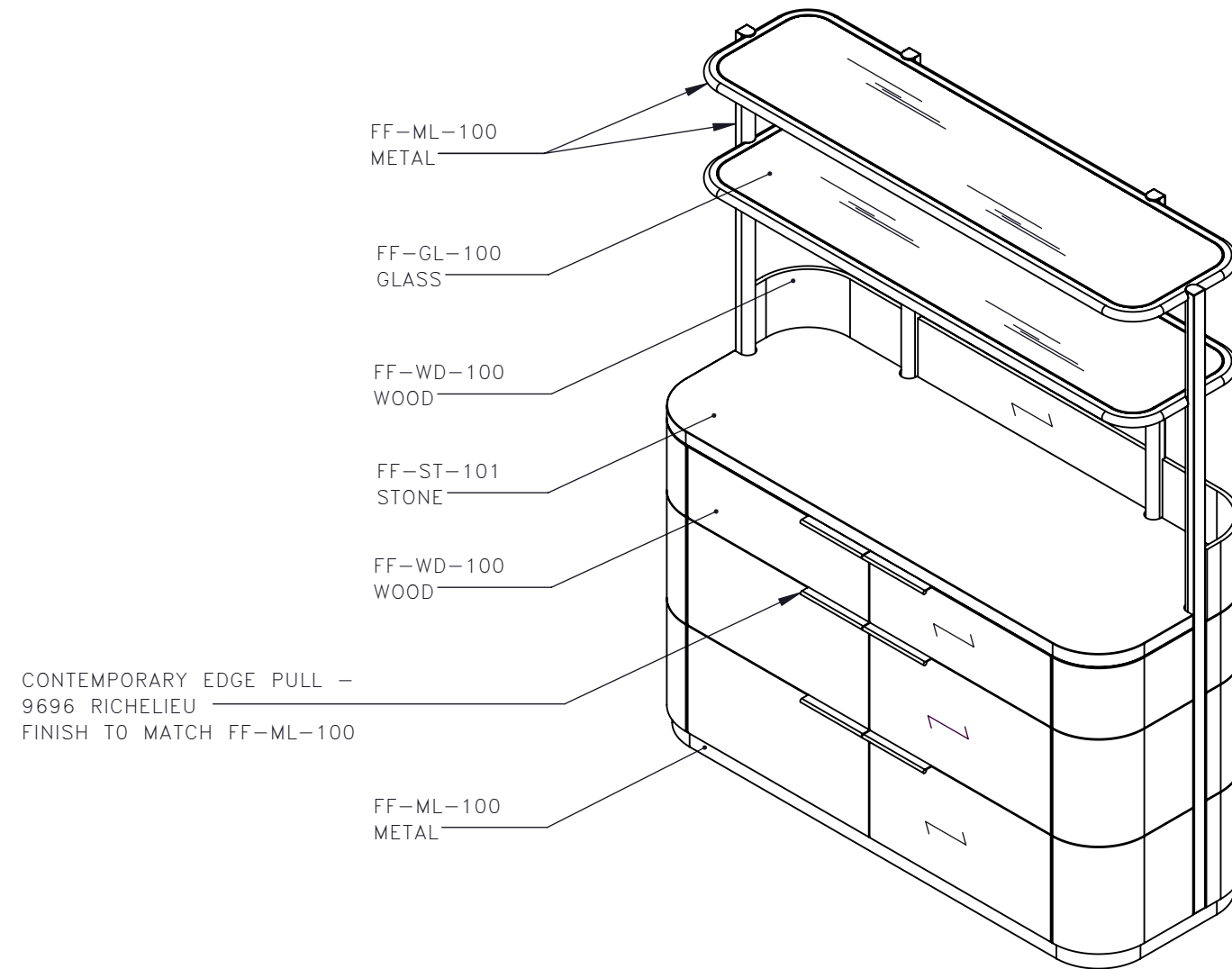
**5** CG-110 SERVICE STATION  
1:16 SIDE ELEVATION SECTION

STUDIO MUNGE

FOR DESIGN INTENT ONLY

DRAWING ARE NOT TO BE SCALED. CONTRACTOR MUST CHECK AND VERIFY ALL JOB DIMENSIONS, DRAWINGS, DETAILS AND SPECIFICATIONS; AND REPORT ANY DISCREPANCIES TO DESIGNER BEFORE PROCEEDING WITH WORK.

-REV/	-ISSUED FOR	-DATE



**6** CG-110 SERVICE STATION  
1:16 ISO VIEW

**STUDIO  
MUNGE** 25 WINGOLD AVENUE  
TORONTO, ONTARIO  
M6B 1P8 CANADA  
416.588.1668  
STUDIOMUNGE.COM

-SCALE AS NOTED	-DATE 2/11/20
-DRAWN BY CS	-CHECKED BY
-PROJECT NAME	
RAY	
-DRAWING TITLE	
CG-110 SERVICE STATION	
-PROJECT NUMBER	
18113	
-DRAWING NUMBER	
3 / 5	

STUDIO MUNGE  
E  
F  
D  
C  
B  
A  
Y

FOR DESIGN INTENT ONLY

DRAWING ARE NOT TO BE SCALED. CONTRACTOR MUST CHECK AND VERIFY ALL JOB DIMENSIONS, DRAWINGS, DETAILS AND SPECIFICATIONS; AND REPORT ANY DISCREPANCIES TO DESIGNER BEFORE PROCEEDING WITH WORK.

-REV/	-ISSUED FOR	-DATE



**STUDIO MUNGE**  
25 WINGOLD AVENUE  
TORONTO, ONTARIO  
M6B 1P8 CANADA  
416.588.1668  
STUDIOMUNGE.COM

**7** | CG-110 | SERVICE STATION  
1:16 | RENDERING: FRONT & BACK

<b>-SCALE</b> AS NOTED	<b>-DATE</b> 2/11/20
<b>-DRAWN BY</b> CS	<b>-CHECKED BY</b>
<b>-PROJECT NAME</b>  RAY	
<b>-DRAWING TITLE</b>  CG-110 SERVICE STATION	
<b>-PROJECT NUMBER</b> 18113	
<b>-DRAWING NUMBER</b> 4 / 5	

STUDIO MUNGE  
E  
F  
D  
C  
B  
A  
Y

FOR DESIGN INTENT ONLY

DRAWING ARE NOT TO BE SCALED. CONTRACTOR MUST CHECK AND VERIFY ALL JOB DIMENSIONS, DRAWINGS, DETAILS AND SPECIFICATIONS; AND REPORT ANY DISCREPANCIES TO DESIGNER BEFORE PROCEEDING WITH WORK.

-REV/	-ISSUED FOR	-DATE



7 | CG-110 | SERVICE STATION  
1:16 | RENDERING: SIDE & 3/4

STUDIO MUNGE  
25 WINGOLD AVENUE  
TORONTO, ONTARIO  
M6B 1P8 CANADA  
416.588.1668  
STUDIOMUNGE.COM

-SCALE AS NOTED  
-DATE 2/11/20

-DRAWN BY CS  
-CHECKED BY

-PROJECT NAME  
RAY

-DRAWING TITLE  
CG-110  
SERVICE STATION

-PROJECT NUMBER  
18113

-DRAWING NUMBER  
5 / 5