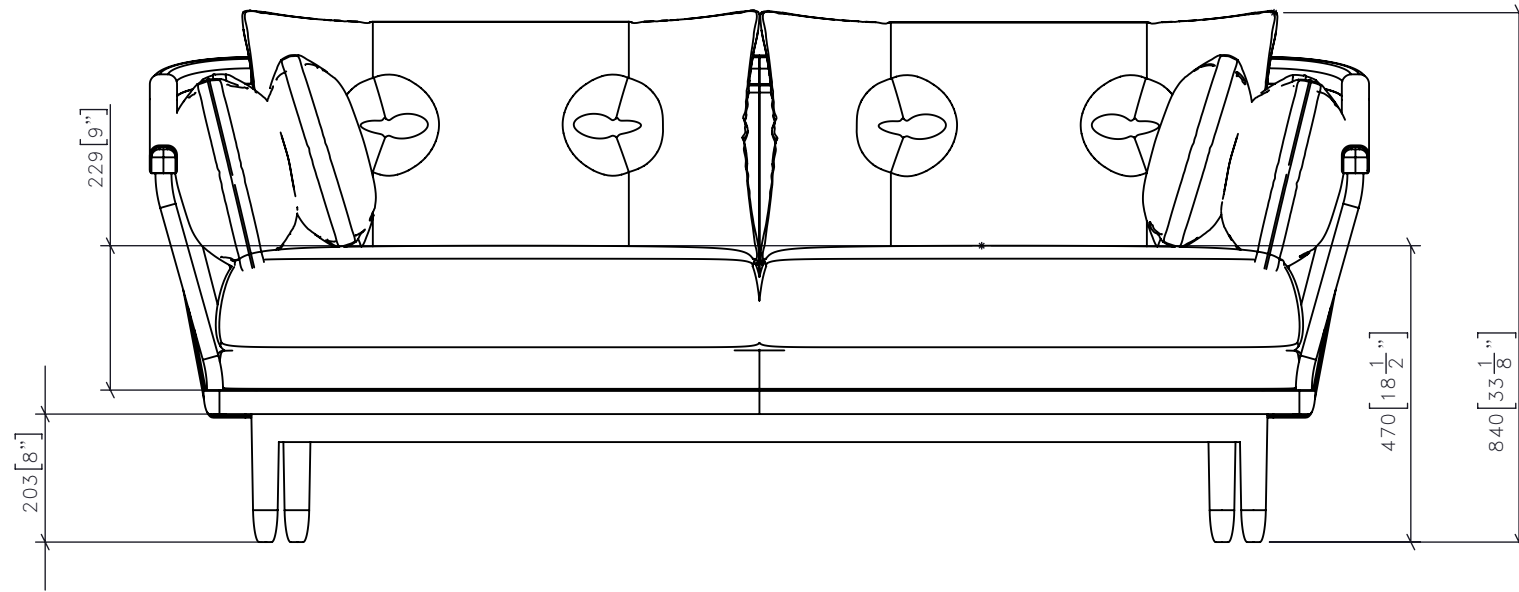
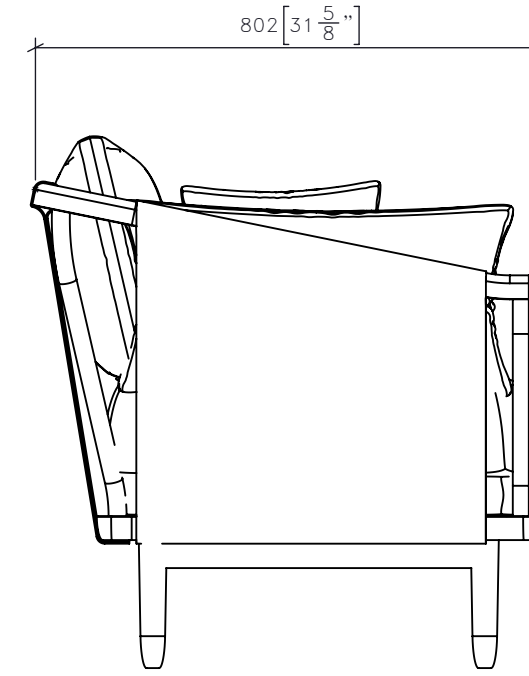


FOR DESIGN INTENT ONLY

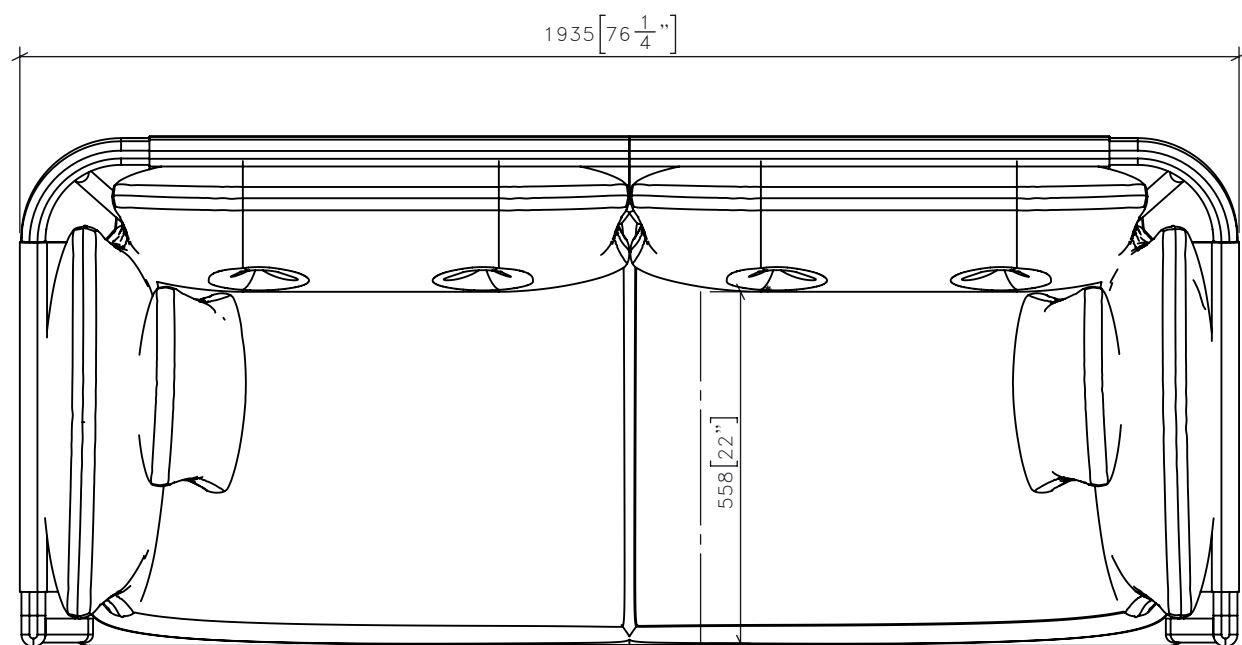
DRAWING ARE NOT TO BE SCALED. CONTRACTOR MUST CHECK AND VERIFY ALL JOB DIMENSIONS, DRAWINGS, DETAILS AND SPECIFICATIONS; AND REPORT ANY DISCREPANCIES TO DESIGNER BEFORE PROCEEDING WITH WORK.



1 CG-XX
1:12 ITEM DESCRIPTION
FRONT ELEVATION



3 CG-XX
1:12 ITEM DESCRIPTION
SIDE ELEVATION



2 CG-XX
1:12 ITEM DESCRIPTION
PLAN

-REV/	-ISSUED FOR	-DATE

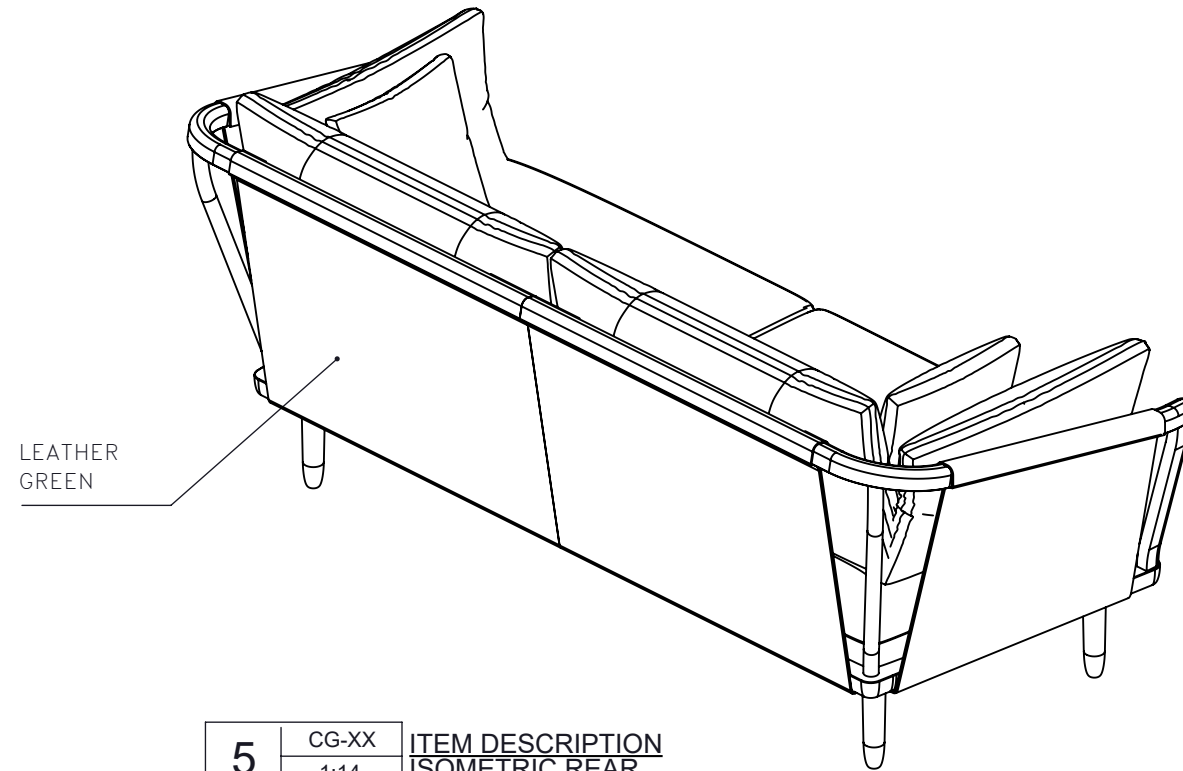
STUDIO MUNGE
25 WINGOLD AVENUE
TORONTO, ONTARIO
M6B 1P8 CANADA
416.588.1668
STUDIOMUNGE.COM

-SCALE AS NOTED	-DATE 11/3/19
-DRAWN BY RC	-CHECKED BY
-PROJECT NAME	
PROJECT TITLE	
-DRAWING TITLE	
CG-XX ITEM DESCRIPTION	
-PROJECT NUMBER XXXXXX	
-DRAWING NUMBER 1 / 3	

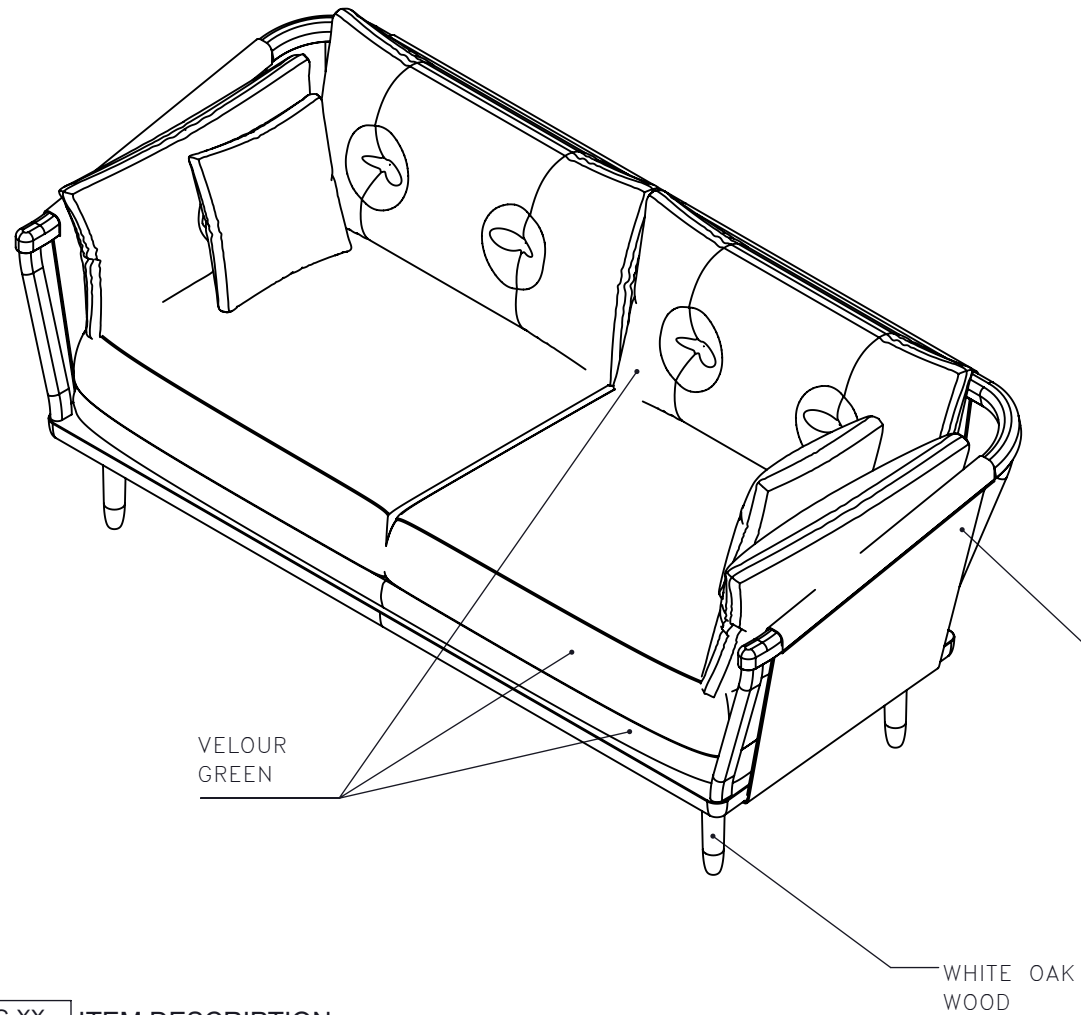
FOR DESIGN INTENT ONLY

DRAWING ARE NOT TO BE SCALED. CONTRACTOR MUST CHECK AND VERIFY ALL JOB DIMENSIONS, DRAWINGS, DETAILS AND SPECIFICATIONS; AND REPORT ANY DISCREPANCIES TO DESIGNER BEFORE PROCEEDING WITH WORK.

-REV/	-ISSUED FOR	-DATE



5	CG-XX	ITEM DESCRIPTION
	1:14	ISOMETRIC REAR



4	CG-XX	ITEM DESCRIPTION
	1:14	ISOMETRIC FRONT

STUDIO MUNGE
 25 WINGOLD AVENUE
 TORONTO, ONTARIO
 M6B 1P8 CANADA
 416.588.1668
 STUDIOMUNGE.COM

-SCALE AS NOTED	-DATE 11/3/19
-DRAWN BY AM	-CHECKED BY
-PROJECT NAME	
PROJECT TITLE	
-DRAWING TITLE	
CG-XX ITEM DESCRIPTION	
-PROJECT NUMBER XXXXXX	
-DRAWING NUMBER 2 / 3	

STUDIO MUNGE
E
F
D
C
B
A
Y

FOR DESIGN INTENT ONLY

DRAWING ARE NOT TO BE SCALED. CONTRACTOR MUST CHECK AND VERIFY ALL JOB DIMENSIONS, DRAWINGS, DETAILS AND SPECIFICATIONS; AND REPORT ANY DISCREPANCIES TO DESIGNER BEFORE PROCEEDING WITH WORK.



-REV/	-ISSUED FOR	-DATE

STUDIO MUNGE
25 WINGOLD AVENUE
TORONTO, ONTARIO
M6B 1P8 CANADA
416.588.1668
STUDIOMUNGE.COM

-SCALE
AS NOTED

-DATE
11/3/19

-DRAWN BY
AM

-CHECKED BY

-PROJECT NAME

PROJECT TITLE

-DRAWING TITLE

CG-XX
ITEM DESCRIPTION

-PROJECT NUMBER
XXXXXX

-DRAWING NUMBER
3 / 3