

STUDIO MUNGE

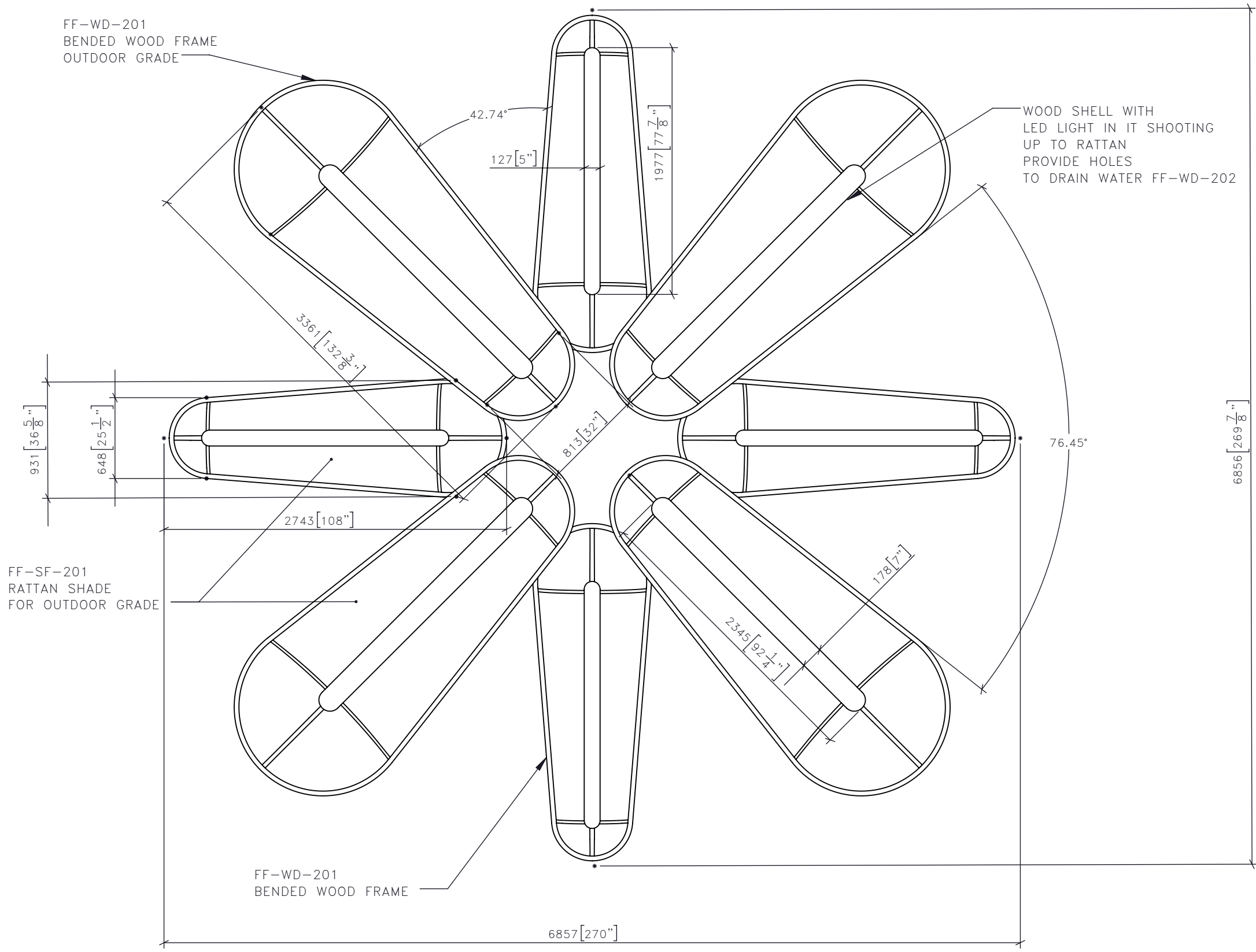
FOR DESIGN INTENT ONLY

DRAWING ARE NOT TO BE SCALED. CONTRACTOR MUST CHECK AND VERIFY ALL JOB DIMENSIONS, DRAWINGS, DETAILS AND SPECIFICATIONS; AND REPORT ANY DISCREPANCIES TO DESIGNER BEFORE PROCEEDING WITH WORK.

REV	ISSUED FOR	DATE

STUDIO MUNGE
 25 WINGOLD AVENUE
 TORONTO, ONTARIO
 M6B 1P8 CANADA
 416.588.1668
 STUDIOMUNGE.COM

-SCALE AS NOTED	-DATE 11/19/20
-DRAWN BY EP	-CHECKED BY
-PROJECT NAME THE RAY ROOFTOP	
-DRAWING TITLE LT-201 FEATURE ENTRY FIXTURE	
-PROJECT NUMBER 18113	
-DRAWING NUMBER 1 / 5	

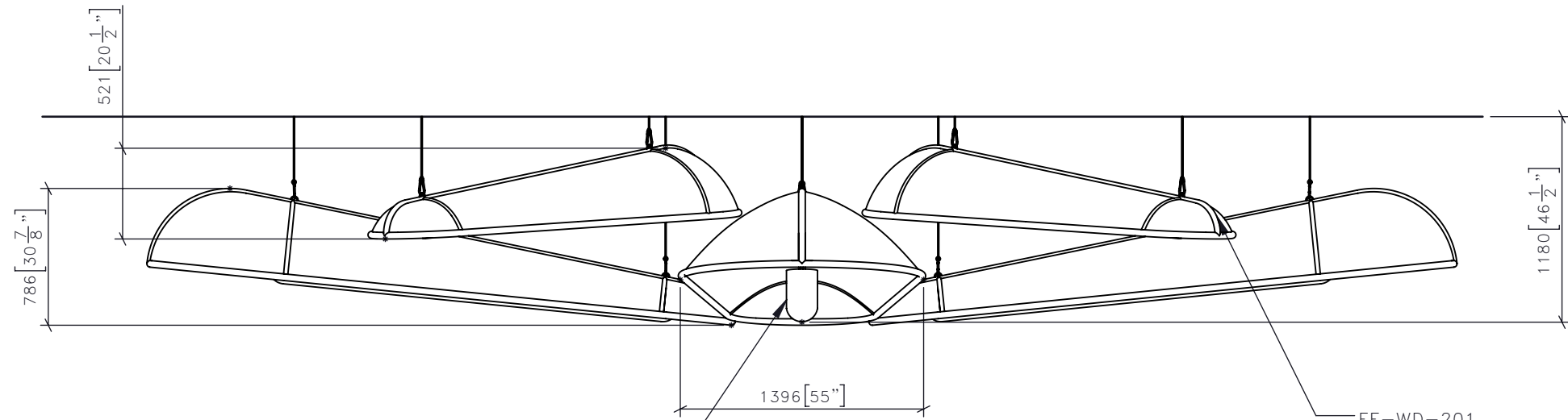


2 | LT-201 | **FEATURE ENTRY FIXTURE**
 1:35 | **PLAN**

STUDIO MUNGE

FOR DESIGN INTENT ONLY

DRAWING ARE NOT TO BE SCALED. CONTRACTOR MUST CHECK AND VERIFY ALL JOB DIMENSIONS, DRAWINGS, DETAILS AND SPECIFICATIONS; AND REPORT ANY DISCREPANCIES TO DESIGNER BEFORE PROCEEDING WITH WORK.



PROVIDE DIMMABLE LED LIGHT
2500/2700K IN SIDE THE
WOOD SHELL.
ENSURE THE SHELL HAS APPROPRIATE
DRAINAGE HOLES

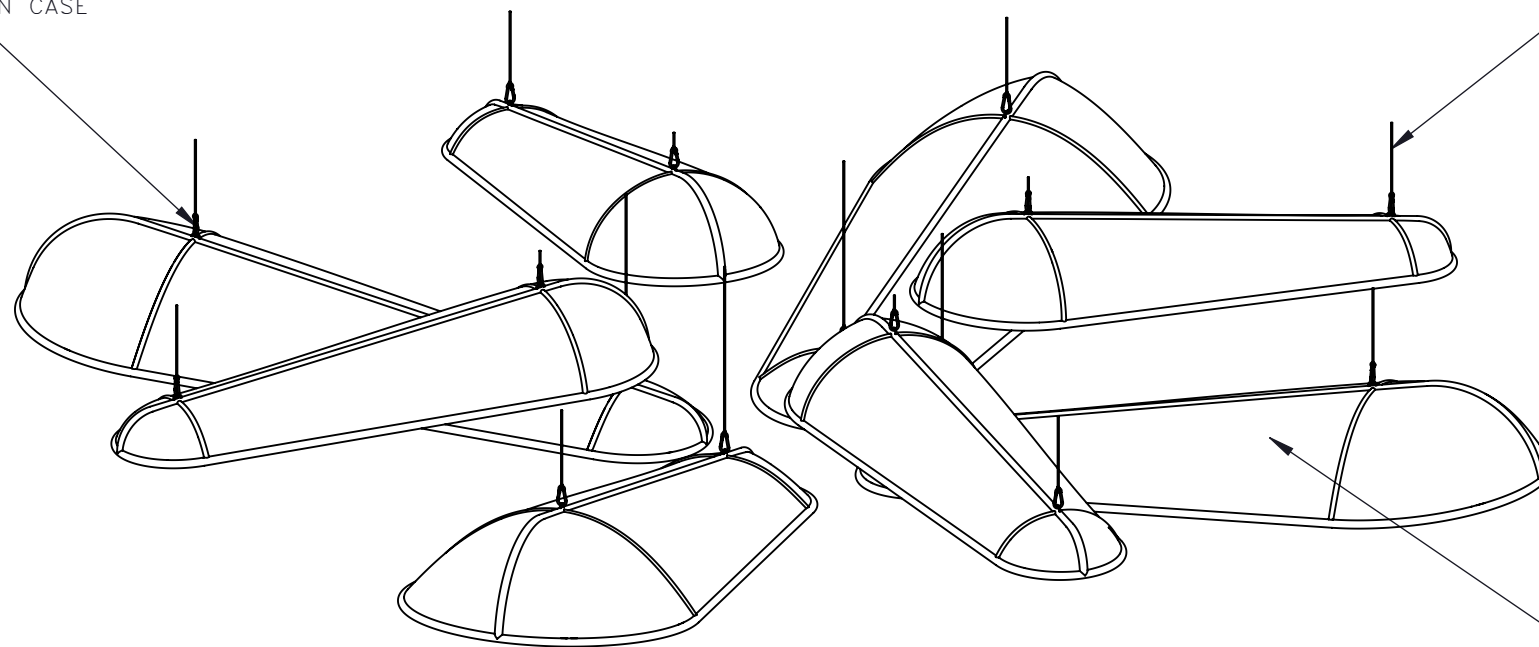
1	LT-201	FEATURE ENTRY FIXTURE Drawing View11
	1:35	

FF-WD-201
BENDED WOOD FRAME
OUTDOOR GRADE

-REV/	-ISSUED FOR	-DATE

**STUDIO
MUNGE**
25 WINGOLD AVENUE
TORONTO, ONTARIO
M6B 1P8 CANADA
416.588.1668
STUDIOMUNGE.COM

PROVIDE FAST CONNECTING
POINT TO BE ABLE TO
REMOVE THE LIGHT IN CASE
OF HURRICANE



FF-SF-205
METAL AIRCRAFT CABLE
WRAPPED TO HIDE METAL

FF-SF-201
RATTAN SHADE
FOR OUTDOOR GRADE

-SCALE AS NOTED -DATE 11/19/20

-DRAWN BY EP -CHECKED BY

-PROJECT NAME

THE RAY ROOFTOP

-DRAWING TITLE

LT-201
FEATURE ENTRY FIXTURE

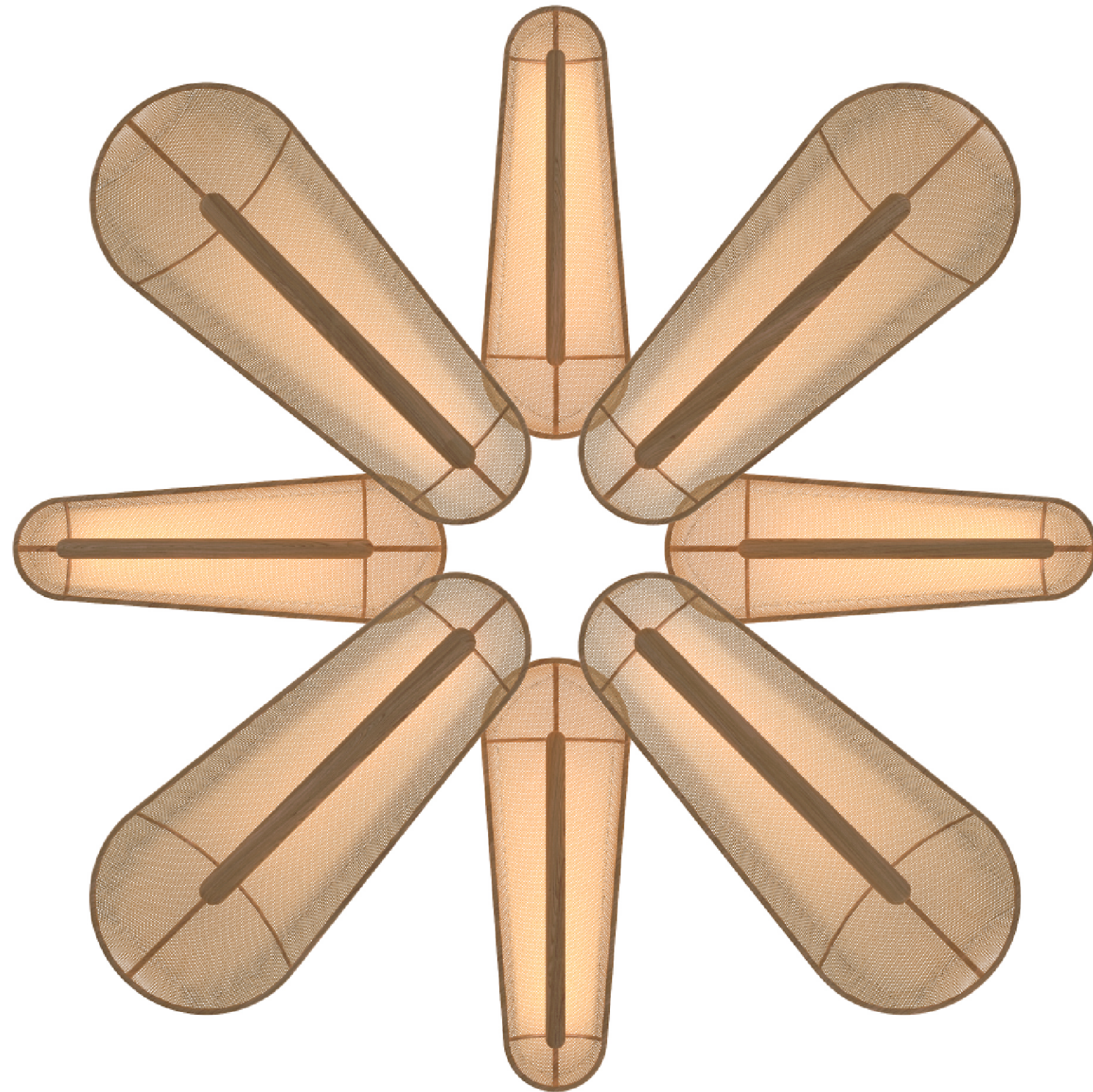
-PROJECT NUMBER
18113

-DRAWING NUMBER
2 / 5

FOR DESIGN INTENT ONLY

DRAWING ARE NOT TO BE SCALED. CONTRACTOR MUST CHECK AND VERIFY ALL JOB DIMENSIONS, DRAWINGS, DETAILS AND SPECIFICATIONS; AND REPORT ANY DISCREPANCIES TO DESIGNER BEFORE PROCEEDING WITH WORK.

-REV/	-ISSUED FOR	-DATE



**STUDIO
MUNGE**
 25 WINGOLD AVENUE
 TORONTO, ONTARIO
 M6B 1P8 CANADA
 416.588.1668
 STUDIOMUNGE.COM

-SCALE
AS NOTED

-DATE
11/19/20

-DRAWN BY
EP

-CHECKED BY

-PROJECT NAME

THE RAY ROOFTOP

-DRAWING TITLE

LT-201
FEATURE ENTRY FIXTURE

-PROJECT NUMBER
18113

-DRAWING NUMBER
3 / 5

FOR DESIGN INTENT ONLY

DRAWING ARE NOT TO BE SCALED. CONTRACTOR MUST CHECK AND VERIFY ALL JOB DIMENSIONS, DRAWINGS, DETAILS AND SPECIFICATIONS; AND REPORT ANY DISCREPANCIES TO DESIGNER BEFORE PROCEEDING WITH WORK.

-REV/	-ISSUED FOR	-DATE



**STUDIO
MUNGE** 25 WINGOLD AVENUE
TORONTO, ONTARIO
M6B 1P8 CANADA
416.588.1668
STUDIOMUNGE.COM

-SCALE AS NOTED **-DATE** 11/19/20

-DRAWN BY EP **-CHECKED BY**

-PROJECT NAME
THE RAY ROOFTOP

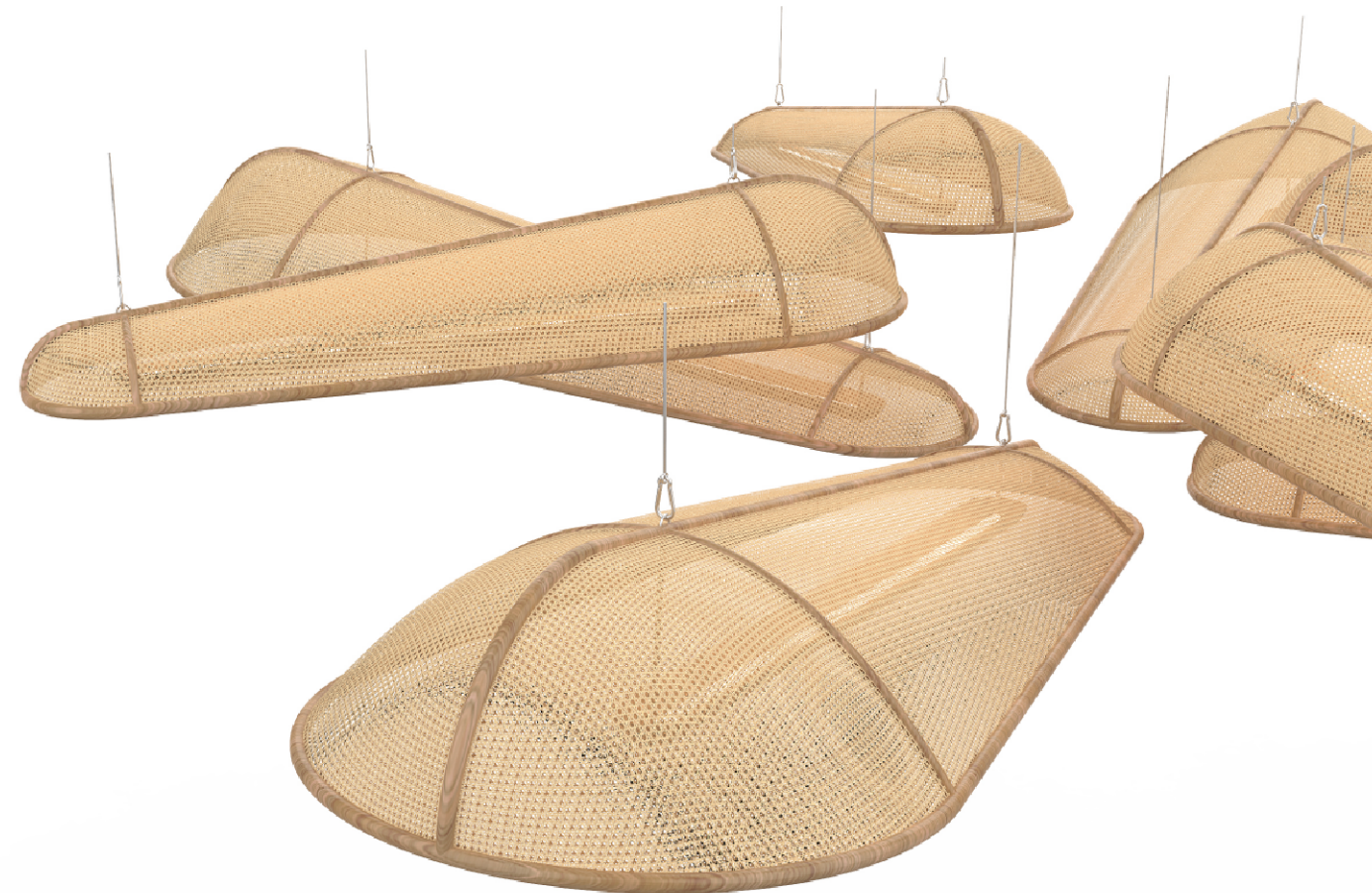
-DRAWING TITLE
LT-201
FEATURE ENTRY FIXTURE

-PROJECT NUMBER
18113

-DRAWING NUMBER
4 / 5

FOR DESIGN INTENT ONLY

DRAWING ARE NOT TO BE SCALED. CONTRACTOR MUST CHECK AND VERIFY ALL JOB DIMENSIONS, DRAWINGS, DETAILS AND SPECIFICATIONS; AND REPORT ANY DISCREPANCIES TO DESIGNER BEFORE PROCEEDING WITH WORK.



-REV/	-ISSUED FOR	-DATE

**STUDIO
MUNGE** 25 WINGOLD AVENUE
TORONTO, ONTARIO
M6B 1P8 CANADA
416.588.1668
STUDIOMUNGE.COM

-SCALE AS NOTED **-DATE** 11/19/20

-DRAWN BY EP **-CHECKED BY**

-PROJECT NAME
THE RAY ROOFTOP

-DRAWING TITLE
LT-201
FEATURE ENTRY FIXTURE

-PROJECT NUMBER
18113

-DRAWING NUMBER
5 / 5