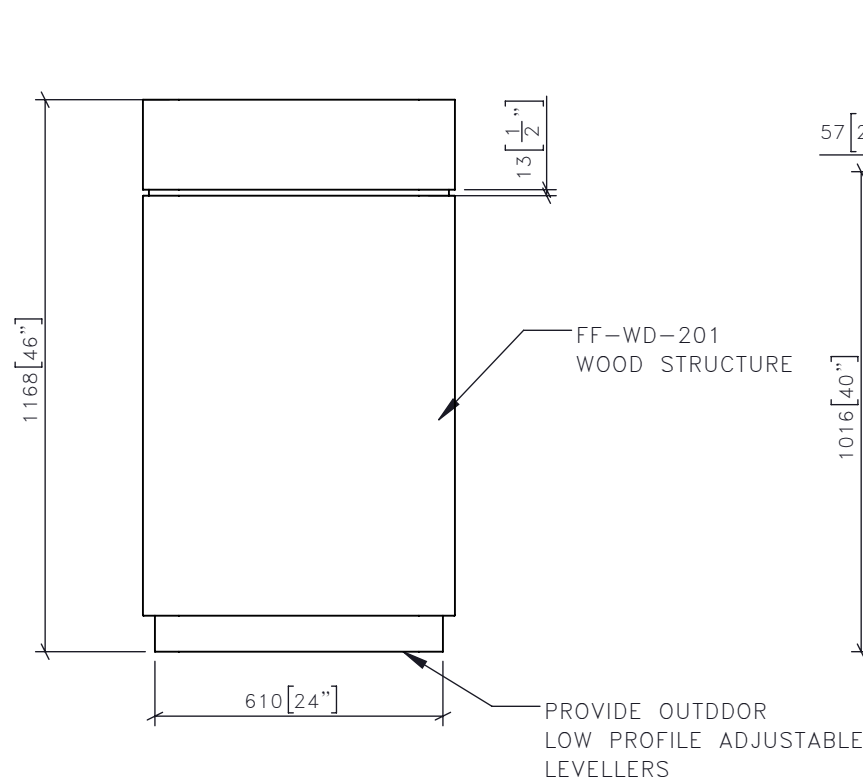


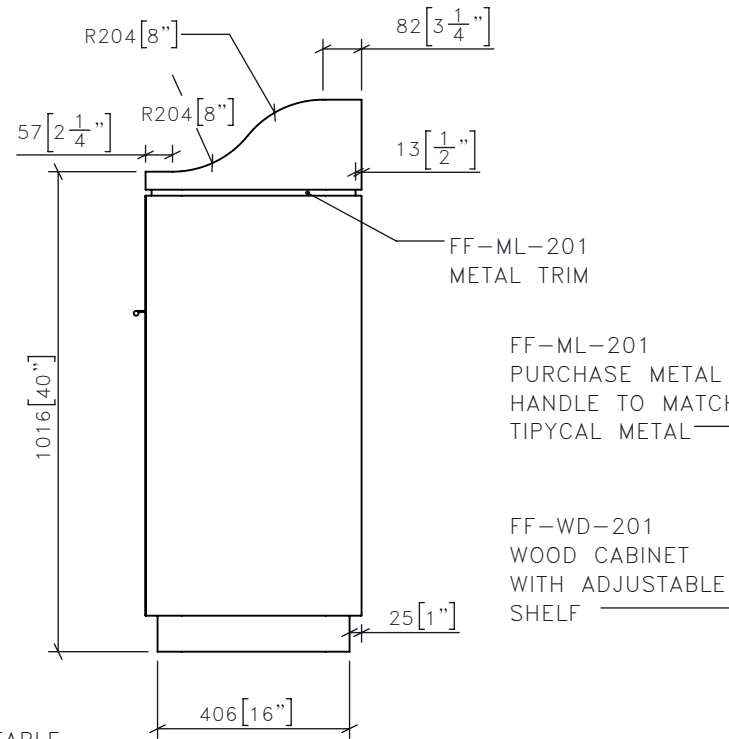
FOR DESIGN INTENT ONLY

DRAWING ARE NOT TO BE SCALED. CONTRACTOR MUST CHECK AND VERIFY ALL JOB DIMENSIONS, DRAWINGS, DETAILS AND SPECIFICATIONS; AND REPORT ANY DISCREPANCIES TO DESIGNER BEFORE PROCEEDING WITH WORK.

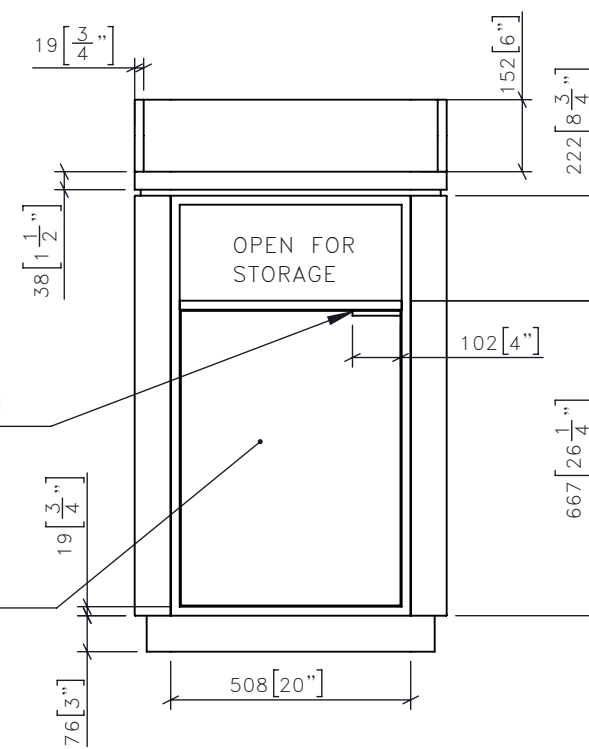
-REV/	-ISSUED FOR	-DATE



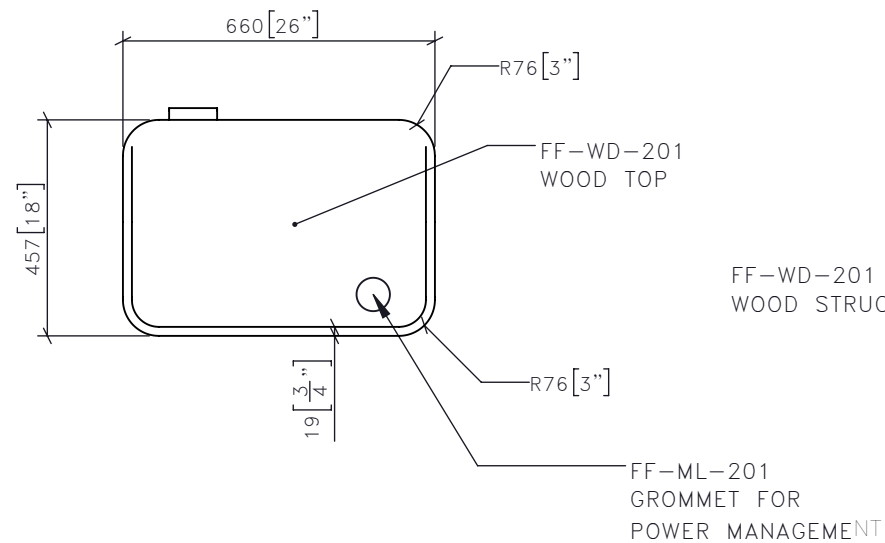
1 CG-219
1:16 **HOST DESK POOL AREA FRONT ELEVATION**



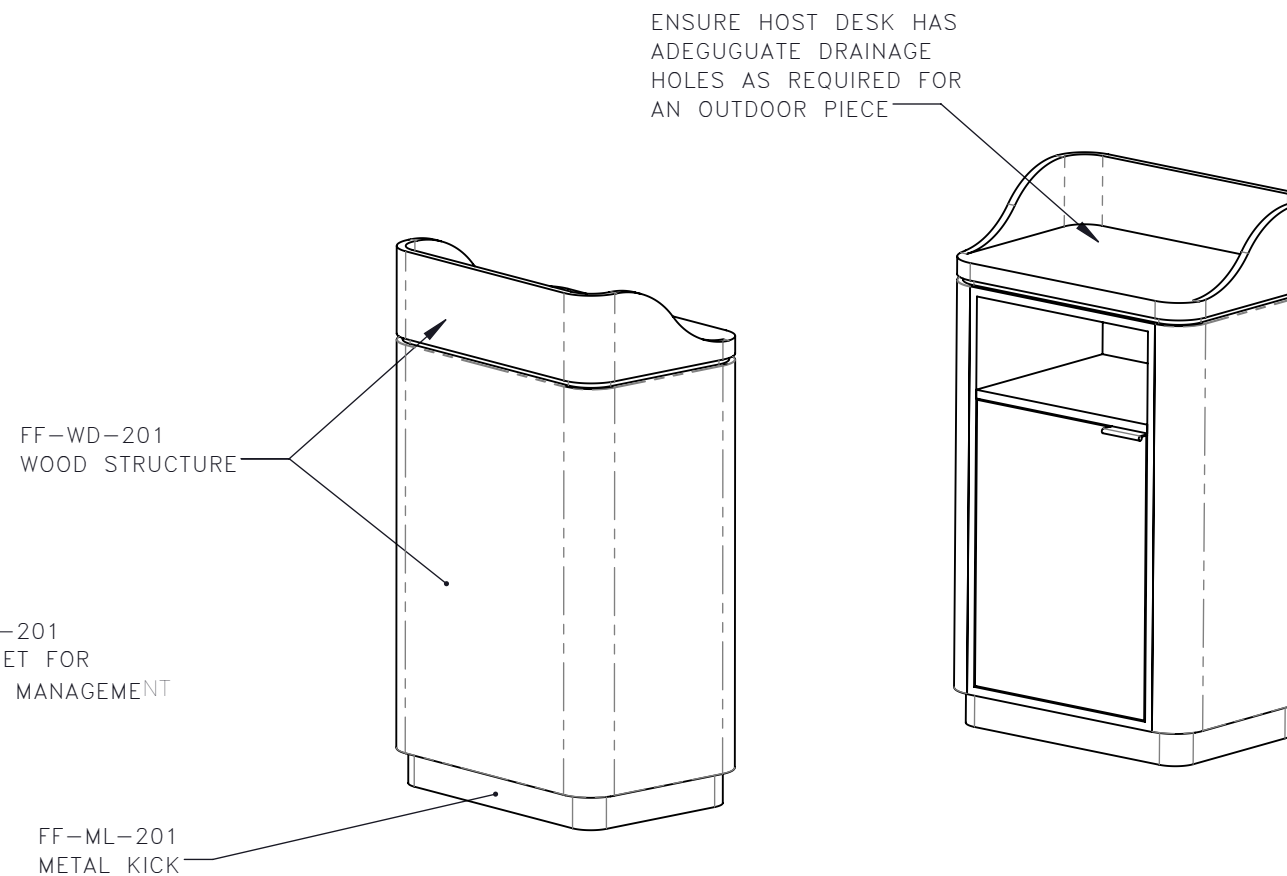
3 CG-219
1:16 **HOST DESK POOL AREA SIDE ELEVATION**



4 CG-219
1:16 **HOST DESK POOL AREA BACK ELEVATION**



2 CG-219
1:16 **HOST DESK POOL AREA PLAN**



STUDIO MUNGE
25 WINGOLD AVENUE
TORONTO, ONTARIO
M6B 1P8 CANADA
416.588.1668
STUDIOMUNGE.COM

-SCALE
AS NOTED

-DATE
11/19/20

-DRAWN BY
RC

-CHECKED BY

-PROJECT NAME

THE RAY ROOF TOP

-DRAWING TITLE

CG-219
HOST DESK POOL AREA

-PROJECT NUMBER
18113

-DRAWING NUMBER
1 / 2

STUDIO MUNGE
E
F
D
C
B
A
Y

1 2 3 4 5 6

FOR DESIGN INTENT ONLY

DRAWING ARE NOT TO BE SCALED. CONTRACTOR MUST CHECK AND VERIFY ALL JOB DIMENSIONS, DRAWINGS, DETAILS AND SPECIFICATIONS; AND REPORT ANY DISCREPANCIES TO DESIGNER BEFORE PROCEEDING WITH WORK.

-REV/	-ISSUED FOR	-DATE



STUDIO MUNGE
25 WINGOLD AVENUE
TORONTO, ONTARIO
M6B 1P8 CANADA
416.588.1668
STUDIOMUNGE.COM

-SCALE
AS NOTED

-DATE
11/19/20

-DRAWN BY
CS

-CHECKED BY

-PROJECT NAME

THE RAY ROOF TOP

-DRAWING TITLE

CG-219
HOST DESK POOL AREA

-PROJECT NUMBER
18113

-DRAWING NUMBER
2 / 2

1 2 3 4 5 6