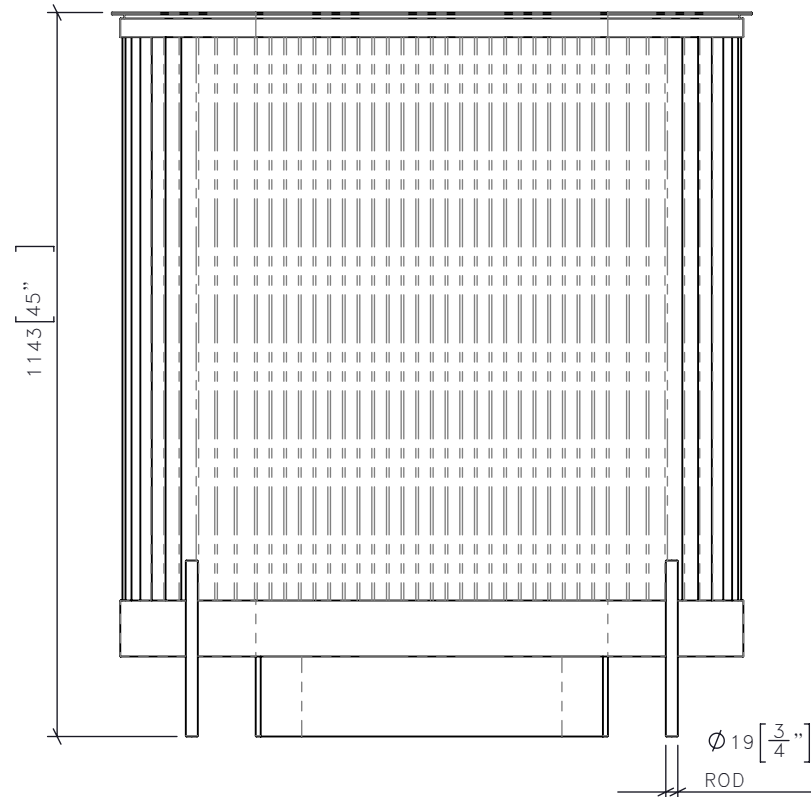
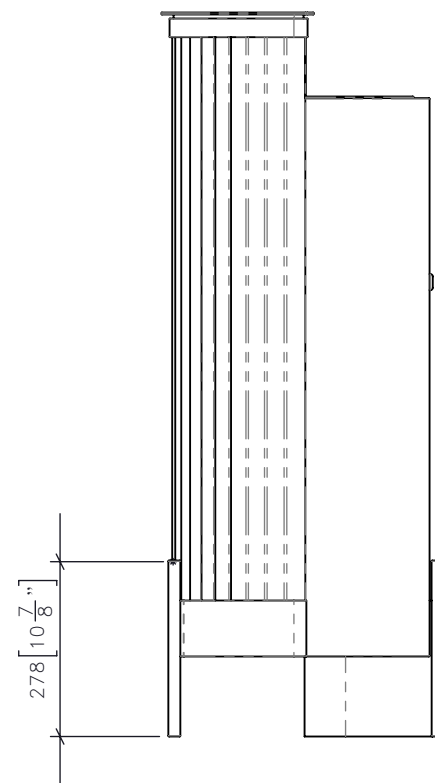


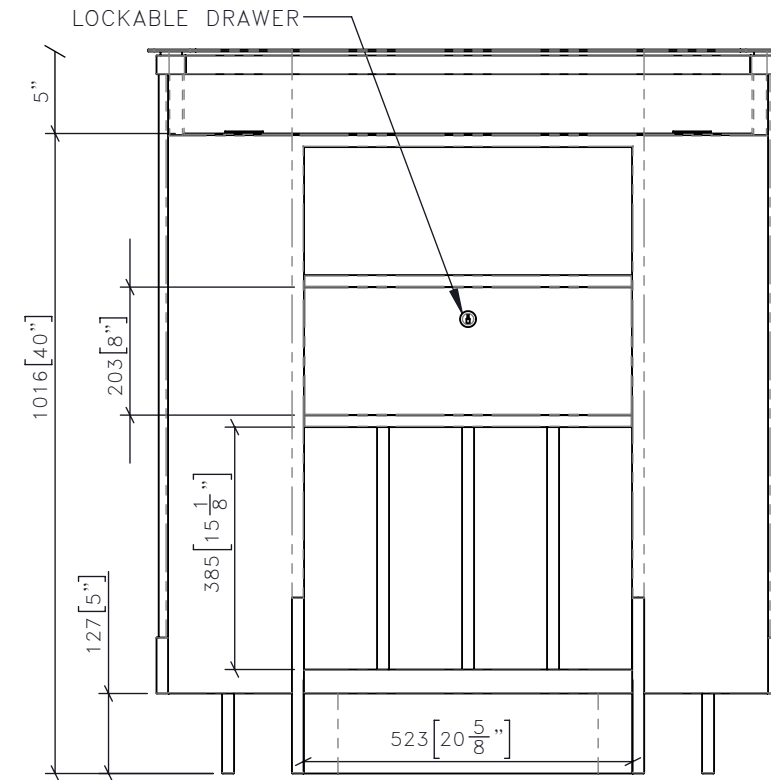
-REV/	-ISSUED FOR	-DATE



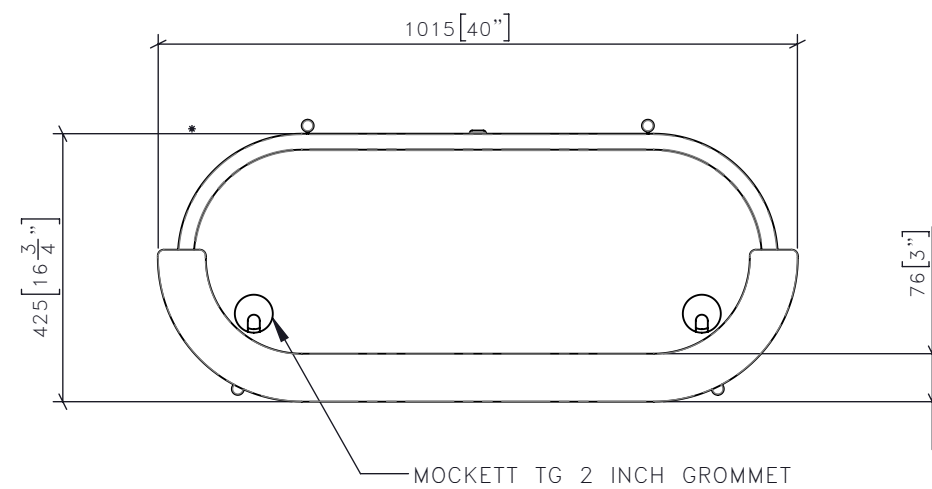
1 CG-109
1:12 HOST STAND
FRONT ELEVATION



3 CG-109
1:12 HOST STAND
SIDE ELEVATION



4 CG-109
1:12 HOST STAND
BACK ELEVATION



2 CG-109
1:12 HOST STAND
PLAN

STUDIO MUNGE
25 WINGOLD AVENUE
TORONTO, ONTARIO
M6B 1P8 CANADA
416.588.1668
STUDIOMUNGE.COM

-SCALE
AS NOTED

-DATE
7/20/20

-DRAWN BY
CS

-CHECKED BY

-PROJECT NAME

RAY

-DRAWING TITLE

CG-109
HOST STAND

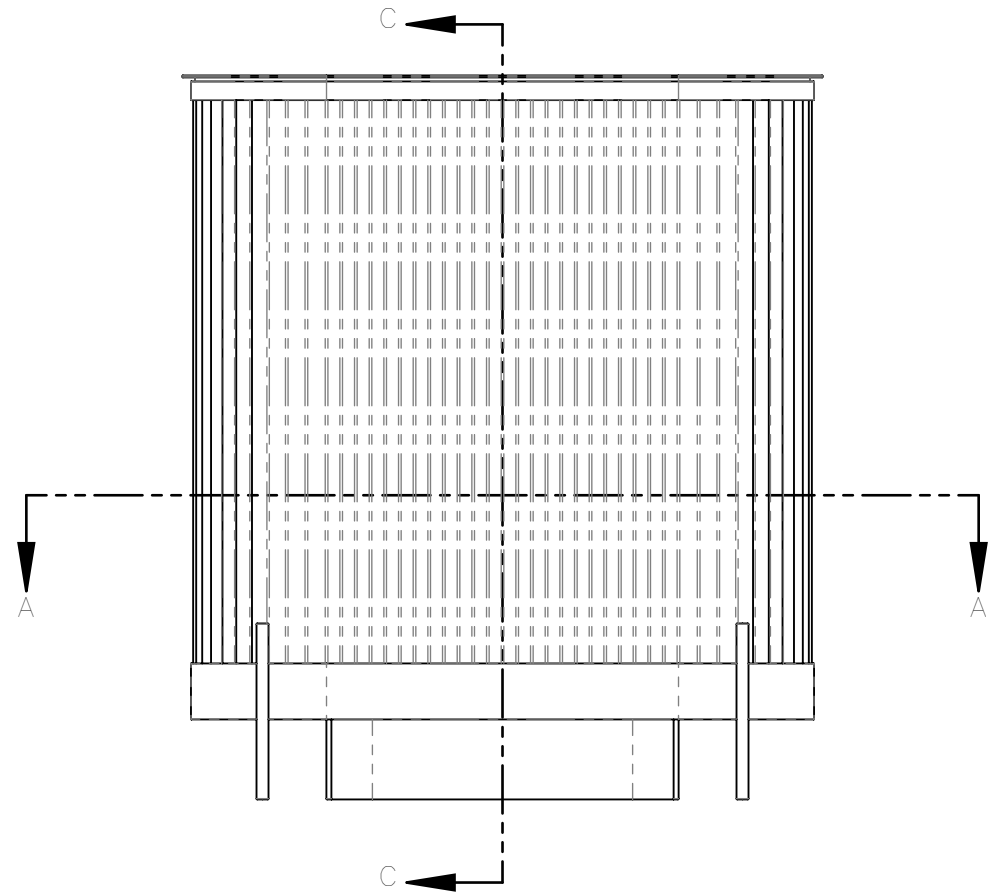
-PROJECT NUMBER
18113

-DRAWING NUMBER
1 / 5

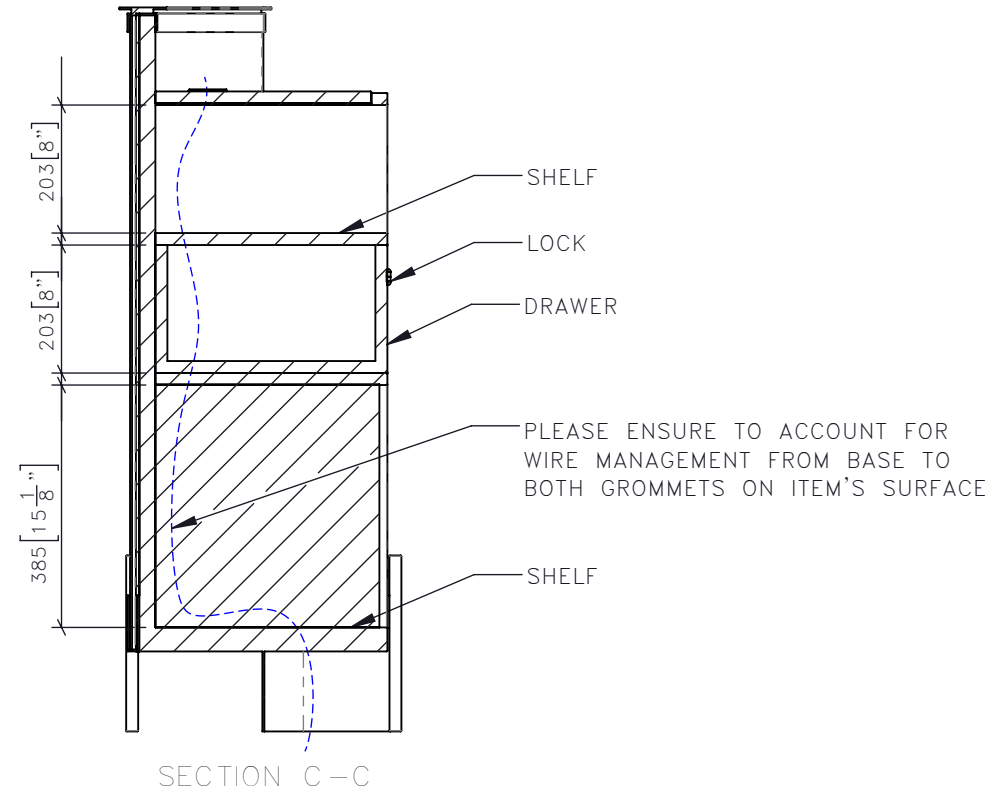
STUDIO MUNGE

FOR DESIGN INTENT ONLY

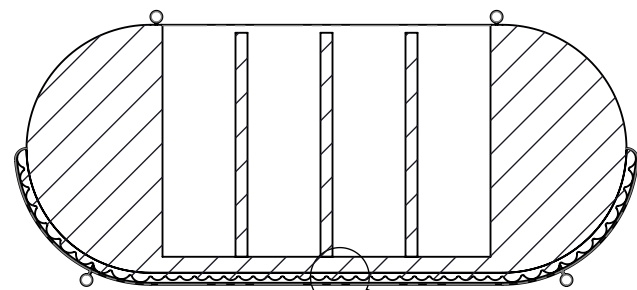
DRAWING ARE NOT TO BE SCALED. CONTRACTOR MUST CHECK AND VERIFY ALL JOB DIMENSIONS, DRAWINGS, DETAILS AND SPECIFICATIONS; AND REPORT ANY DISCREPANCIES TO DESIGNER BEFORE PROCEEDING WITH WORK.



5 CG-109
1:12 HOST STAND
FRONT ELEVATION



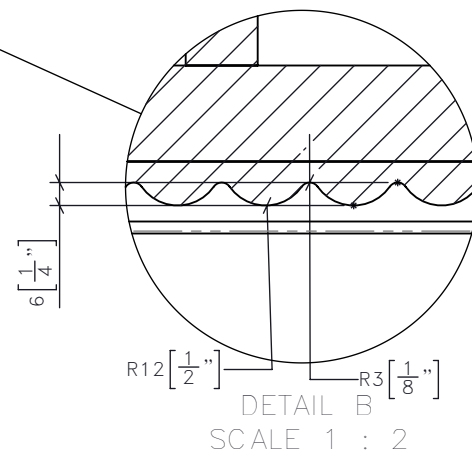
7 CG-109
1:12 HOST STAND
SIDE SECTION



SECTION A-A

6 CG-109
1:12 HOST STAND
PLAN SECTION

FLUTED SURFACE PROFILE



DETAIL B
SCALE 1 : 2

-REV/	-ISSUED FOR	-DATE

STUDIO MUNGE
25 WINGOLD AVENUE
TORONTO, ONTARIO
M6B 1P8 CANADA
416.588.1668
STUDIOMUNGE.COM

-SCALE AS NOTED
-DATE 7/20/20

-DRAWN BY CS
-CHECKED BY

-PROJECT NAME

RAY

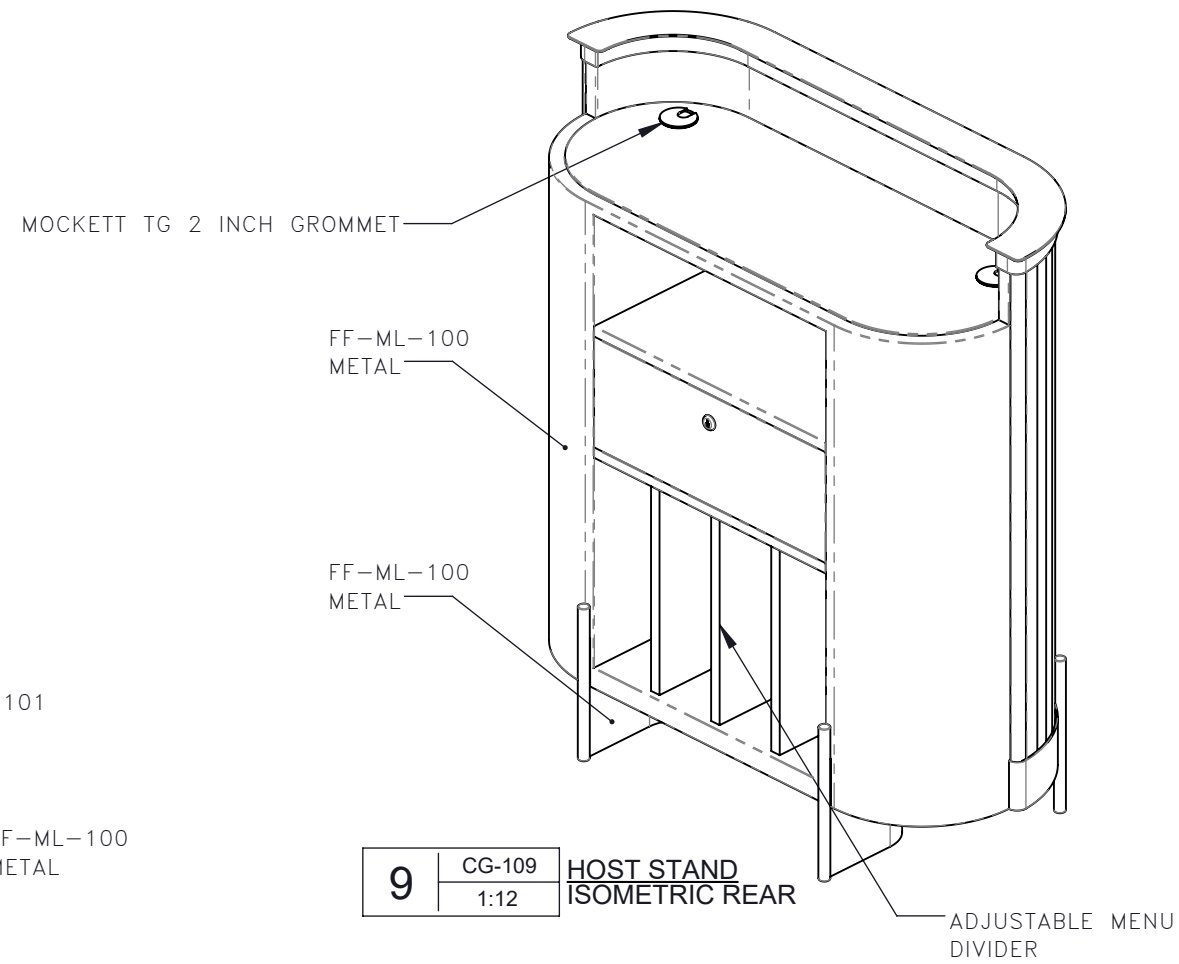
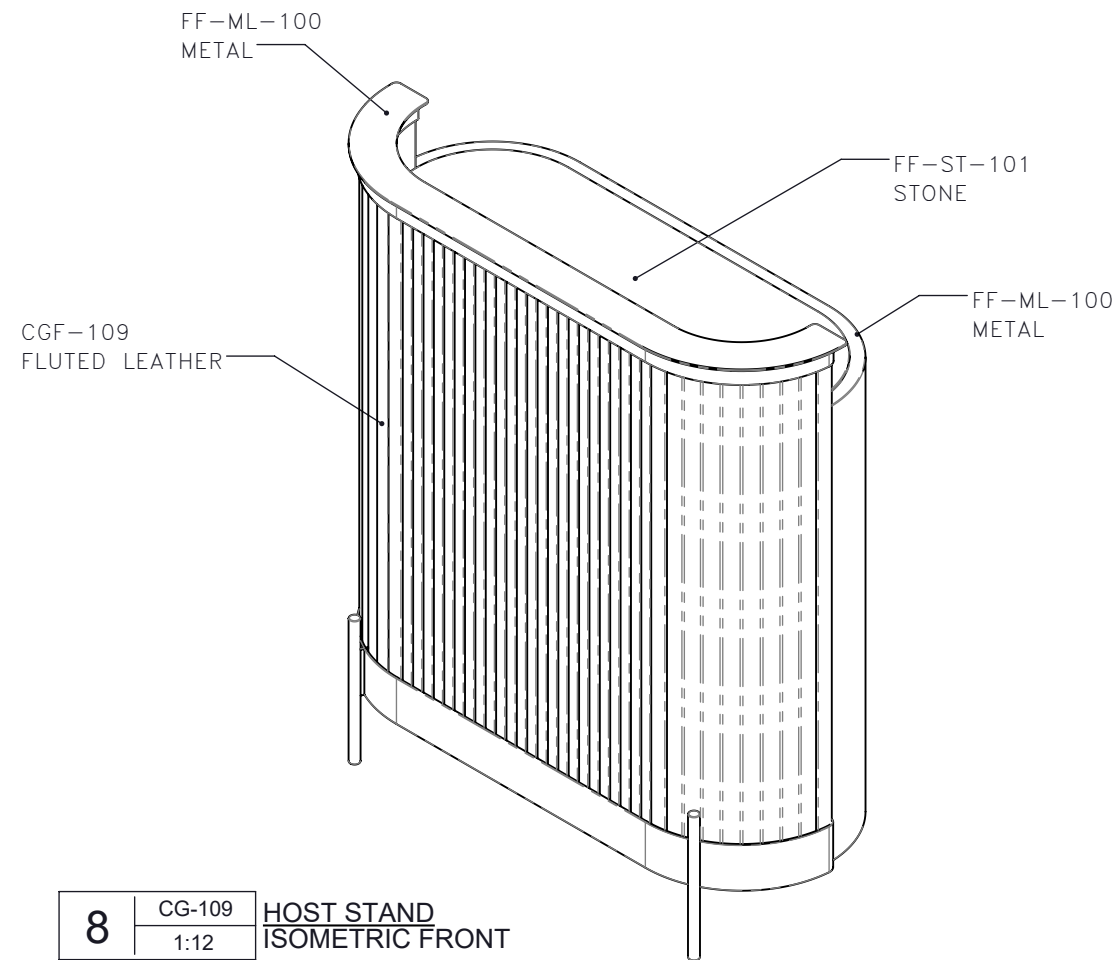
-DRAWING TITLE

CG-109
HOST STAND

-PROJECT NUMBER
18113

-DRAWING NUMBER
2 / 5

-REV/	-ISSUED FOR	-DATE



STUDIO MUNGE
 25 WINGOLD AVENUE
 TORONTO, ONTARIO
 M6B 1P8 CANADA
 416.588.1668
 STUDIOMUNGE.COM

-SCALE AS NOTED	-DATE 7/20/20
-DRAWN BY CS	-CHECKED BY
-PROJECT NAME	
RAY	
-DRAWING TITLE	
CG-109 HOST STAND	
-PROJECT NUMBER	
18113	
-DRAWING NUMBER	
3 / 5	

STUDIO MUNGE
E
F
D
C
B
A
Y



FOR DESIGN INTENT ONLY

DRAWING ARE NOT TO BE SCALED. CONTRACTOR MUST CHECK AND VERIFY ALL JOB DIMENSIONS, DRAWINGS, DETAILS AND SPECIFICATIONS; AND REPORT ANY DISCREPANCIES TO DESIGNER BEFORE PROCEEDING WITH WORK.

-REV/	-ISSUED FOR	-DATE

**STUDIO
MUNGE**
25 WINGOLD AVENUE
TORONTO, ONTARIO
M6B 1P8 CANADA
416.588.1668
STUDIOMUNGE.COM

-SCALE
AS NOTED

-DATE
7/20/20

-DRAWN BY
CS

-CHECKED BY

-PROJECT NAME

RAY

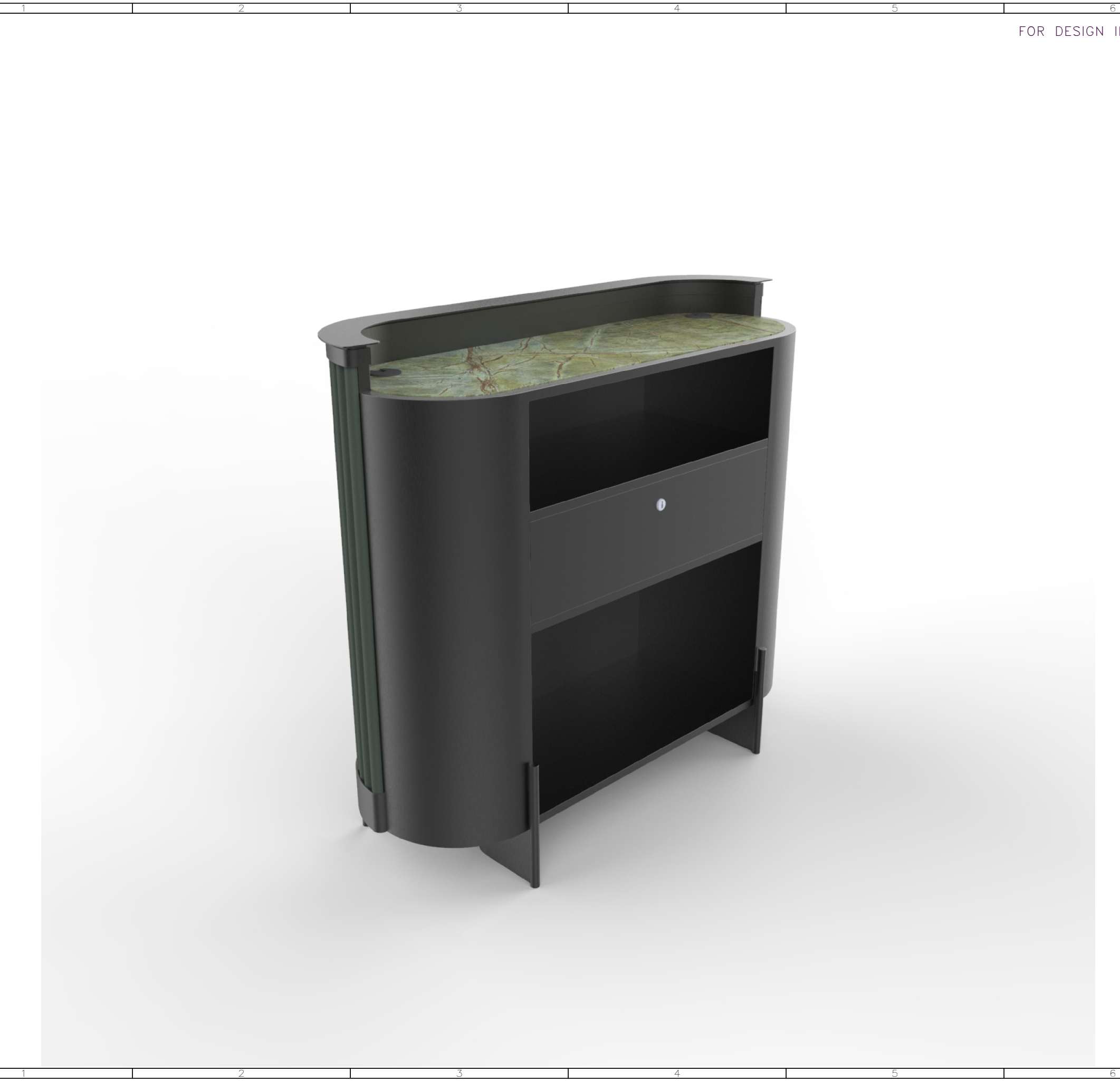
-DRAWING TITLE

CG-109
HOST STAND

-PROJECT NUMBER
18113

-DRAWING NUMBER
4 / 5

Y
E
F
D
C
B
A
Y



FOR DESIGN INTENT ONLY

DRAWING ARE NOT TO BE SCALED. CONTRACTOR MUST CHECK AND VERIFY ALL JOB DIMENSIONS, DRAWINGS, DETAILS AND SPECIFICATIONS; AND REPORT ANY DISCREPANCIES TO DESIGNER BEFORE PROCEEDING WITH WORK.

-REV/	-ISSUED FOR	-DATE

STUDIO MUNGE
 25 WINGOLD AVENUE
 TORONTO, ONTARIO
 M6B 1P8 CANADA
 416.588.1668
 STUDIOMUNGE.COM

-SCALE
AS NOTED

-DATE
7/20/20

-DRAWN BY
CS

-CHECKED BY

-PROJECT NAME

RAY

-DRAWING TITLE

CG-109
HOST STAND

-PROJECT NUMBER
18113

-DRAWING NUMBER
5 / 5