

-REV/	-ISSUED FOR	-DATE

STUDIO MUNGE
 25 WINGOLD AVENUE
 TORONTO, ONTARIO
 M6B 1P8 CANADA
 416.588.1668
 STUDIOMUNGE.COM

-SCALE
AS NOTED

-DATE
11/19/20

-DRAWN BY
CS

-CHECKED BY

-PROJECT NAME

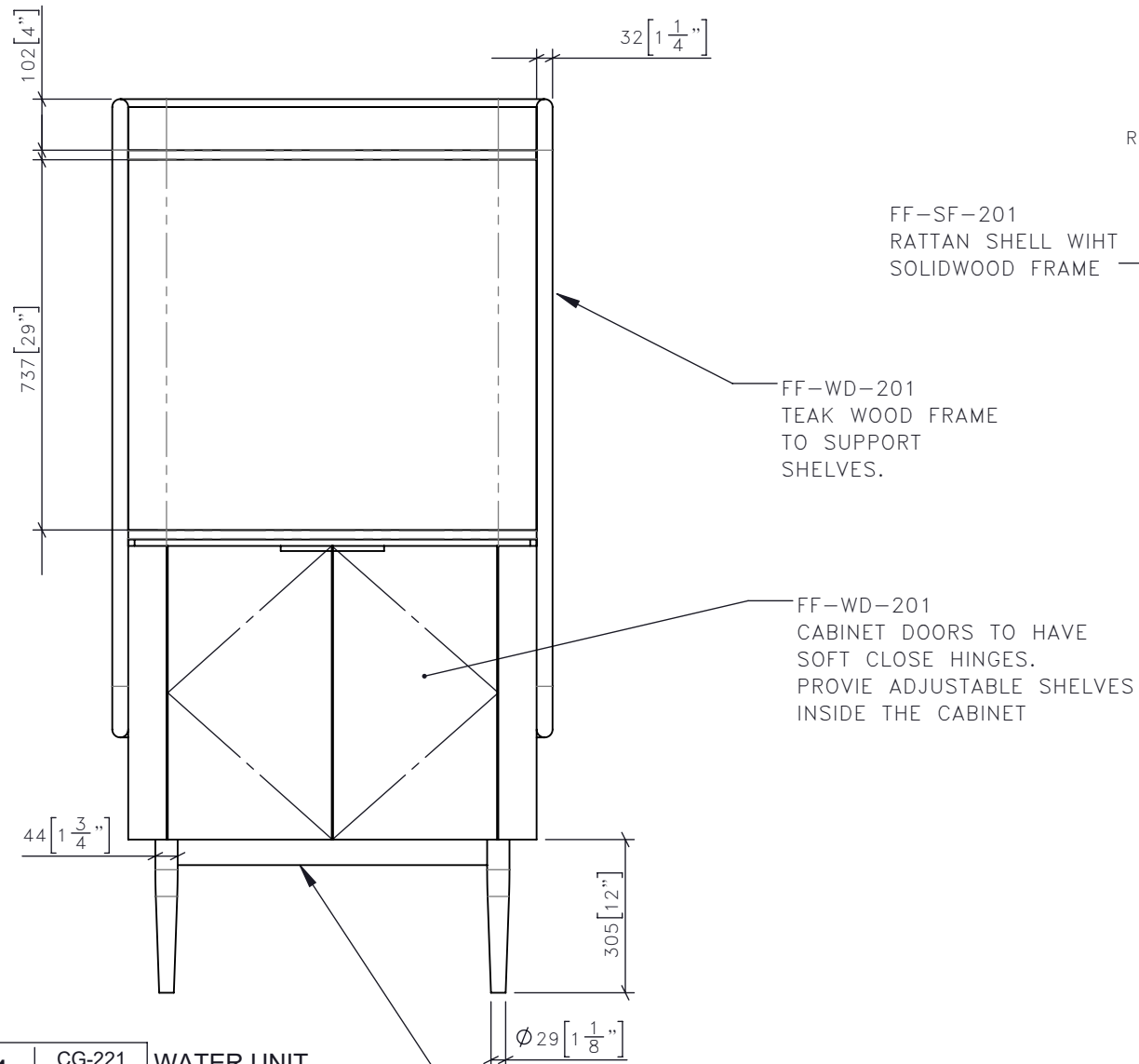
RAY

-DRAWING TITLE

CG-221
WATER UNIT

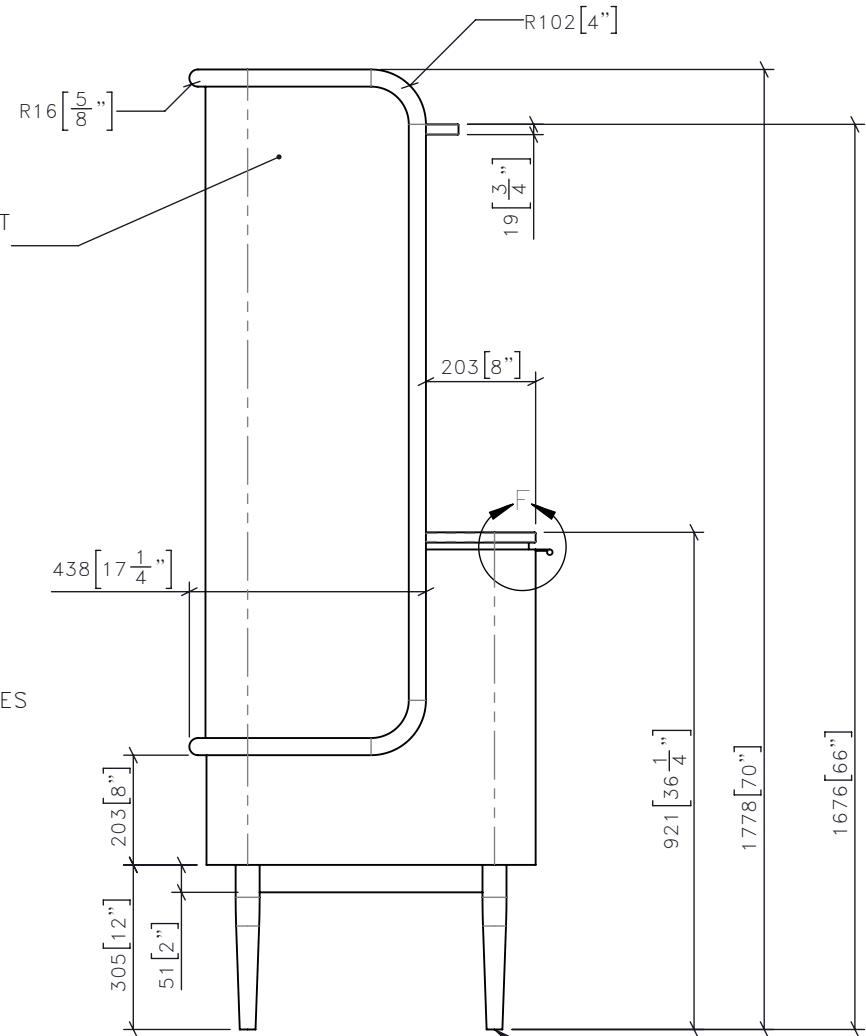
-PROJECT NUMBER
18113

-DRAWING NUMBER
1 / 2

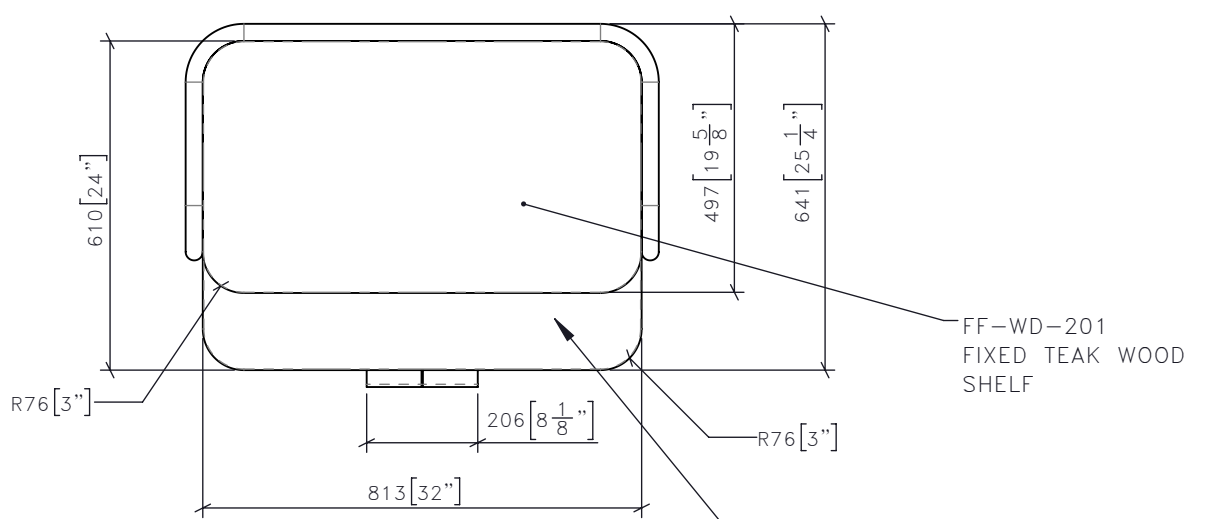


1 CG-221
1:14
**WATER UNIT
FRONT ELEVATION**

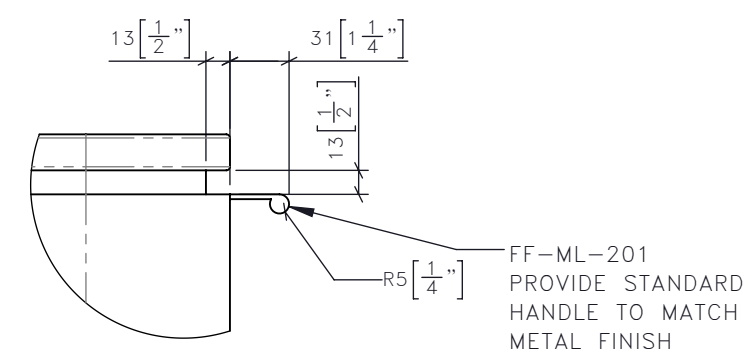
FF-ML-201
METAL STRETCHER
TO SUPPORT CABINET



3 CG-221
1:14
**WATER UNIT
SIDE ELEVATION**



2 CG-221
1:14
**WATER UNIT
PLAN**



DETAIL F
SCALE 1 : 4

-REV/	-ISSUED FOR	-DATE



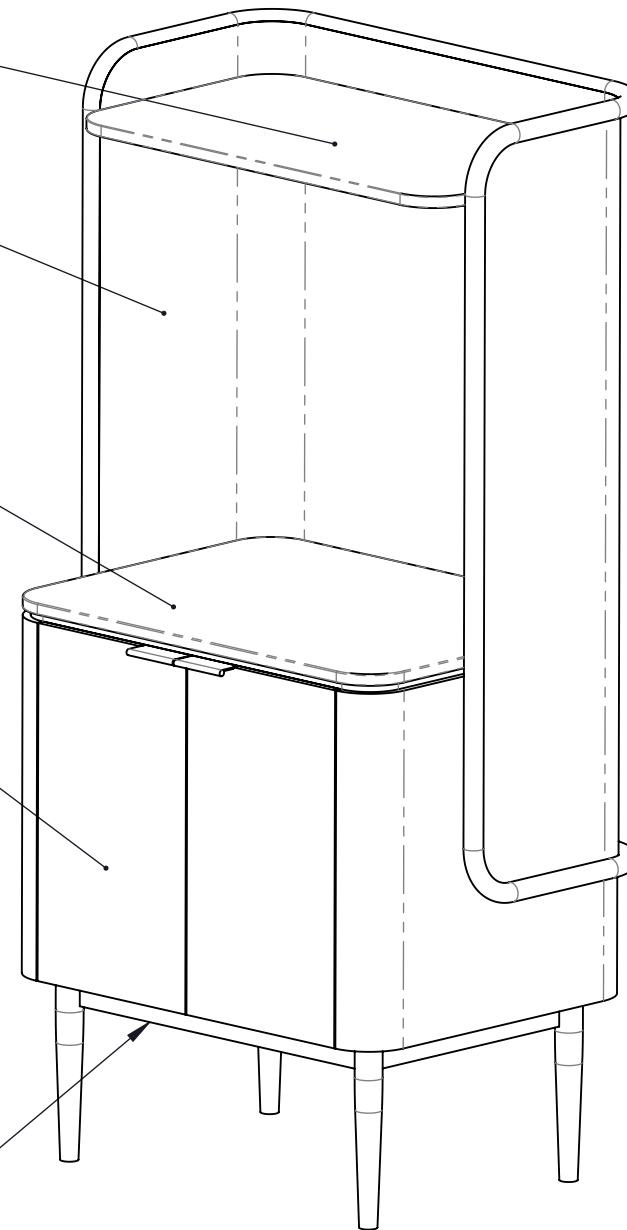
FF-WD-201
FIXED TEAK WOOD
SHELF

FF-SF-201
RATTAN SHELL WIHT
SOLIDWOOD FRAME

FF-ST-201
STONE TOP

FF-WD-201
CABINET DOORS TO HAVE
SOFT CLOSE HINGES.
PROVIE ADJUSTABLE SHELVES
INSIDE THE CABINET

FF-ML-201
METAL STRETCHER
TO SUPPORT CABINET



**STUDIO
MUNGE** 25 WINGOLD AVENUE
TORONTO, ONTARIO
M6B 1P8 CANADA
416.588.1668
STUDIOMUNGE.COM

-SCALE AS NOTED -DATE 11/19/20

-DRAWN BY CS -CHECKED BY

-PROJECT NAME

RAY

-DRAWING TITLE

CG-221
WATER UNIT

-PROJECT NUMBER 18113

-DRAWING NUMBER 2 / 2

4 CG-221 WATER UNIT
1:16 ISOMETRIC FRONT