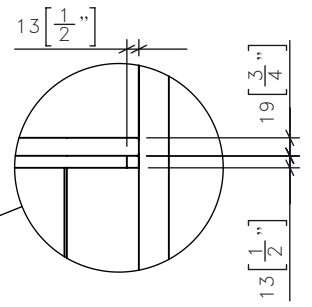
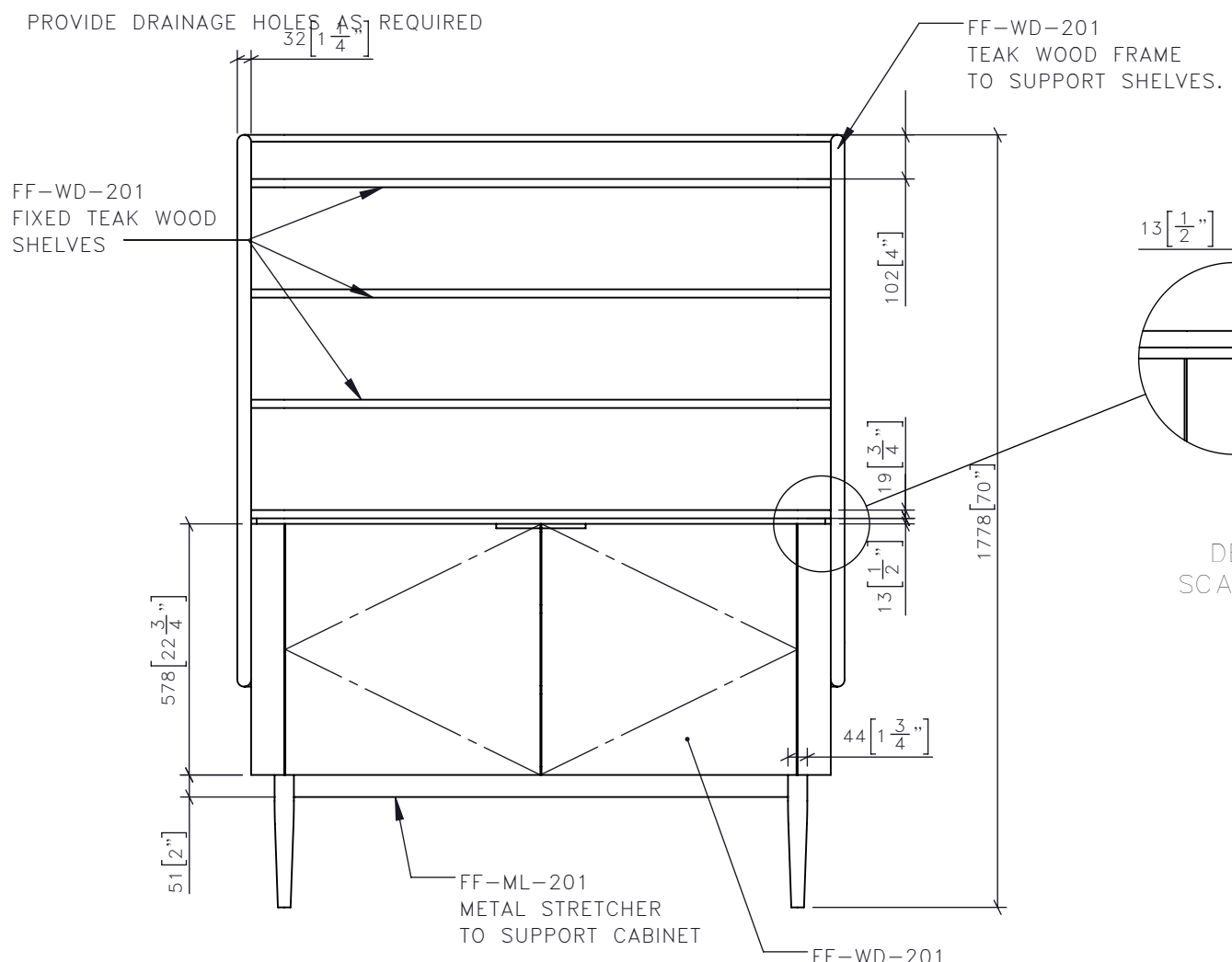


STUDIO MUNGE

FOR DESIGN INTENT ONLY

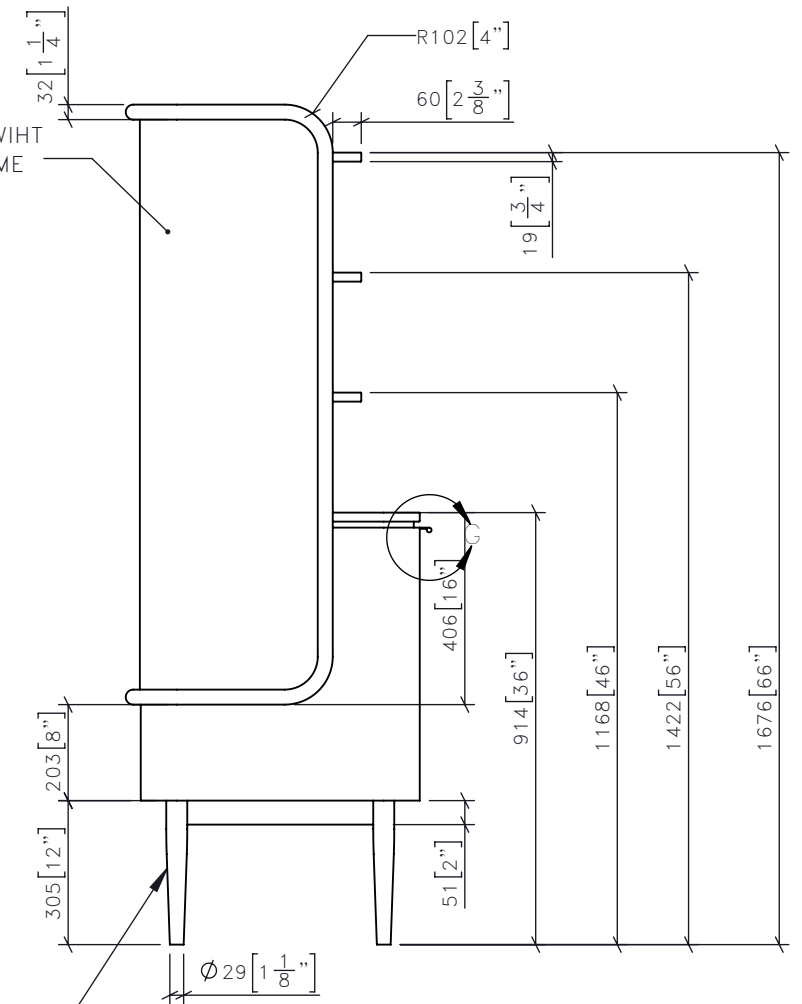
DRAWING ARE NOT TO BE SCALED. CONTRACTOR MUST CHECK AND VERIFY ALL JOB DIMENSIONS, DRAWINGS, DETAILS AND SPECIFICATIONS; AND REPORT ANY DISCREPANCIES TO DESIGNER BEFORE PROCEEDING WITH WORK.

-REV/	-ISSUED FOR	-DATE



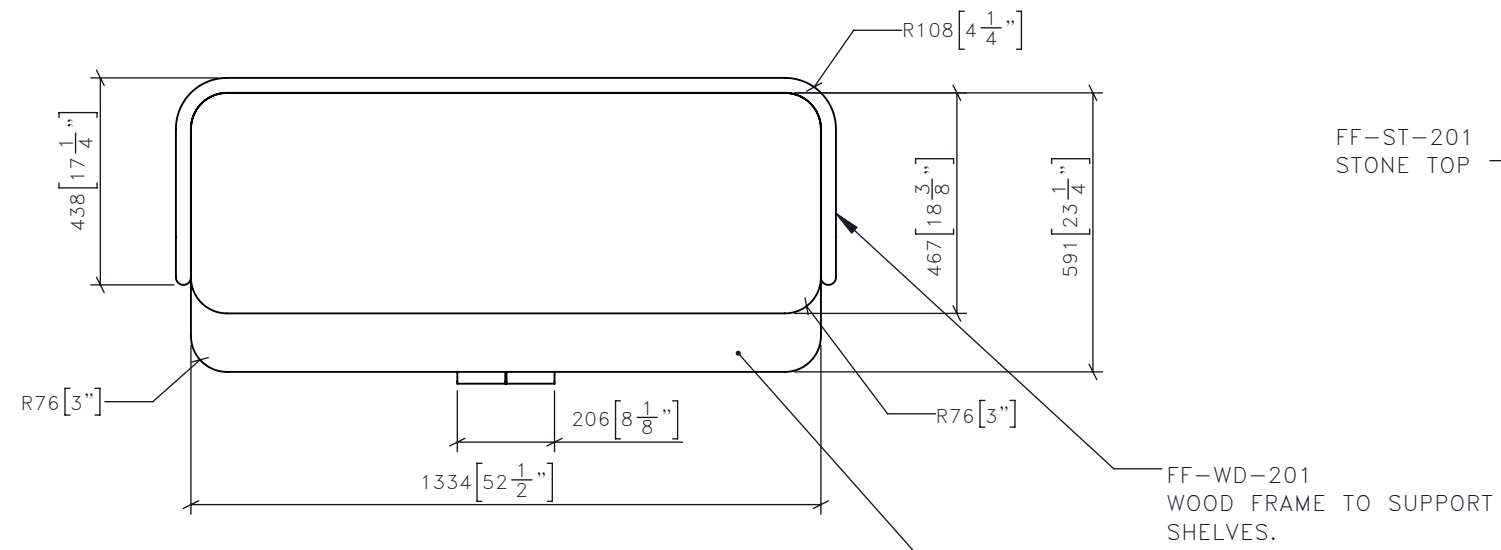
DETAIL F
SCALE 1 : 8

FF-WD-201
SOLIDWOOD LEGS.
PROVIDE GLIDES

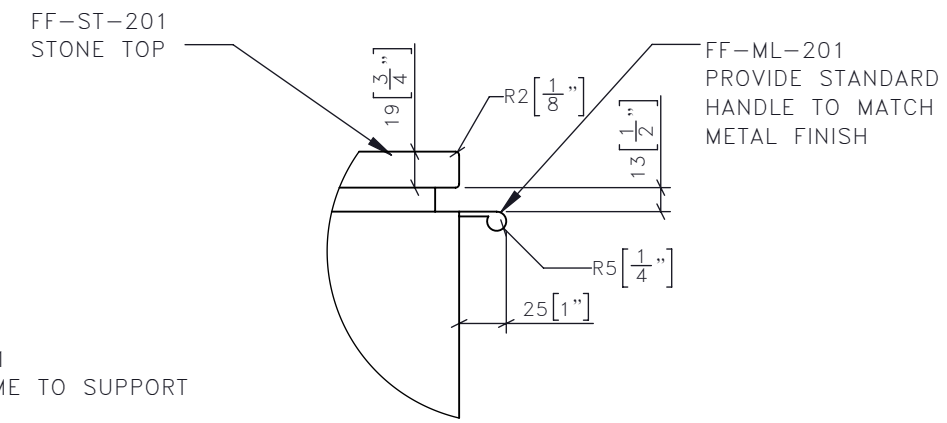


3 CG-220A TOWEL STORAGE
1:16 SIDE ELEVATION

1 CG-220A TOWEL STORAGE
1:16 FRONT ELEVATION



2 CG-220A TOWEL STORAGE
1:16 PLAN



DETAIL G
SCALE 1 : 4

STUDIO MUNGE
 25 WINGOLD AVENUE
 TORONTO, ONTARIO
 M6B 1P8 CANADA
 416.588.1668
 STUDIOMUNGE.COM

-SCALE AS NOTED -DATE 11/19/20

-DRAWN BY RC -CHECKED BY

-PROJECT NAME

RAY

-DRAWING TITLE

CG-220A TOWEL STORAGE

-PROJECT NUMBER 18113

-DRAWING NUMBER 1 / 2

STUDIO MUNGE



FF-WD-201
TEAK WOOD FRAME
TO SUPPORT
SHELVES.

FF-WD-201
FIXED WOOD
SHELVES

FF-WD-201
CABINET DOORS TO HAVE
SOFT CLOSE HINGES.
PROVIE ADJUSTABLE SHELVES
INSIDE THE CABINET

FOR DESIGN INTENT ONLY

FF-SF-201
RATTAN SHELL WIHT
SOLIDWOOD FRAME

FF-ST-201
STONE TOP

4 | CG-220A | TOWEL STORAGE
1:16

DRAWING ARE NOT TO BE SCALED. CONTRACTOR MUST CHECK AND VERIFY ALL JOB DIMENSIONS, DRAWINGS, DETAILS AND SPECIFICATIONS; AND REPORT ANY DISCREPANCIES TO DESIGNER BEFORE PROCEEDING WITH WORK.

-REV/	-ISSUED FOR	-DATE

STUDIO MUNGE
25 WINGOLD AVENUE
TORONTO, ONTARIO
M6B 1P8 CANADA
416.588.1668
STUDIOMUNGE.COM

-SCALE AS NOTED	-DATE 11/19/20
-DRAWN BY CS	-CHECKED BY
-PROJECT NAME	
RAY	
-DRAWING TITLE	
CG-220A TOWEL STORAGE	
-PROJECT NUMBER	
18113	
-DRAWING NUMBER	
2 / 2	