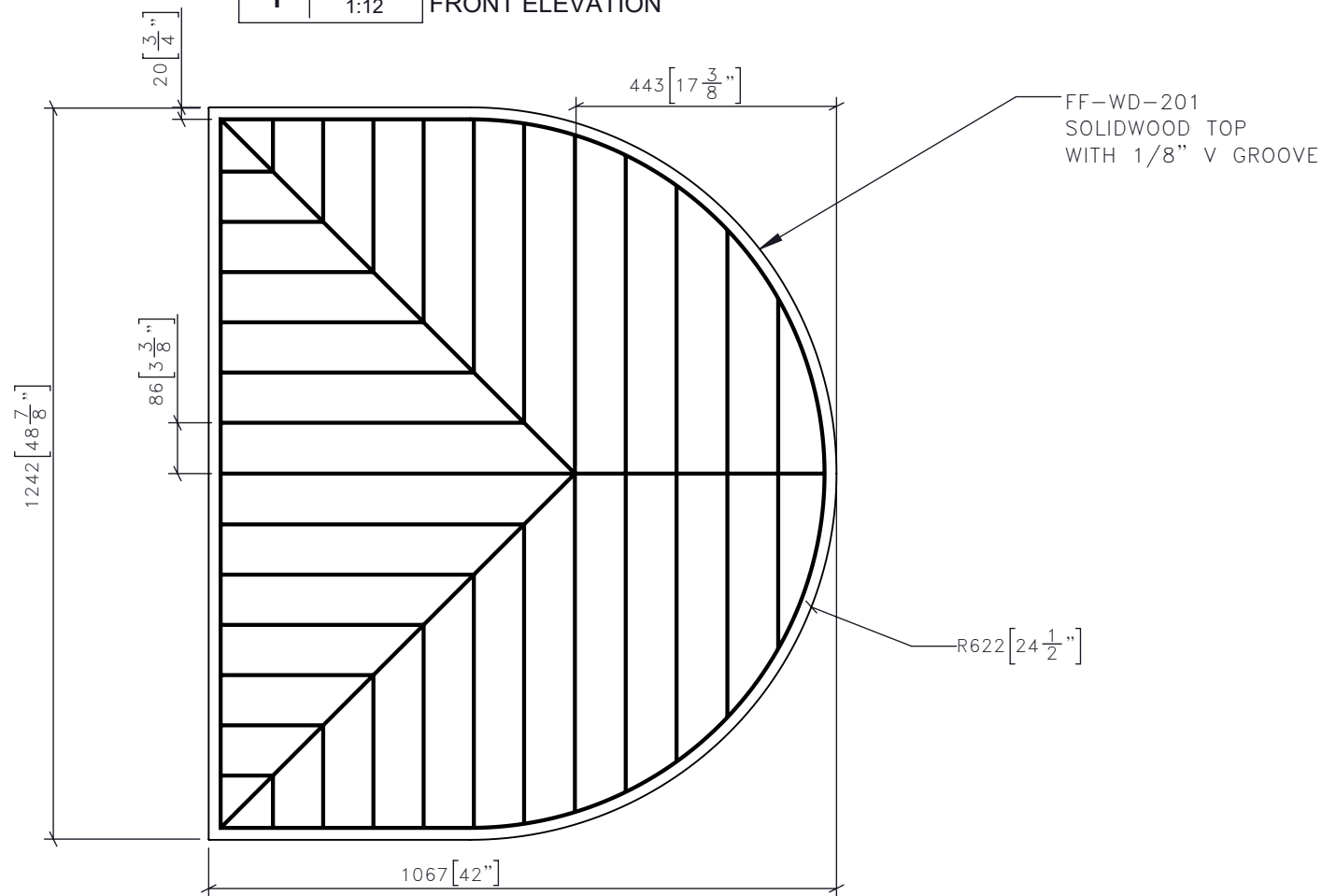
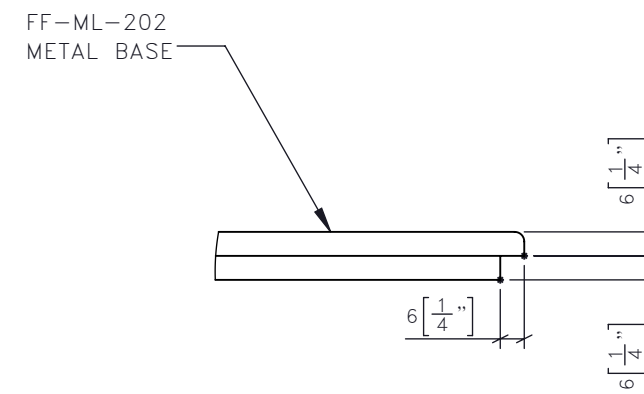


1 CG-213 TABLE AT ROUND BANQUETTE FRONT ELEVATION 1:12

3 CG-213 TABLE AT ROUND BANQUETTE SIDE ELEVATION 1:12

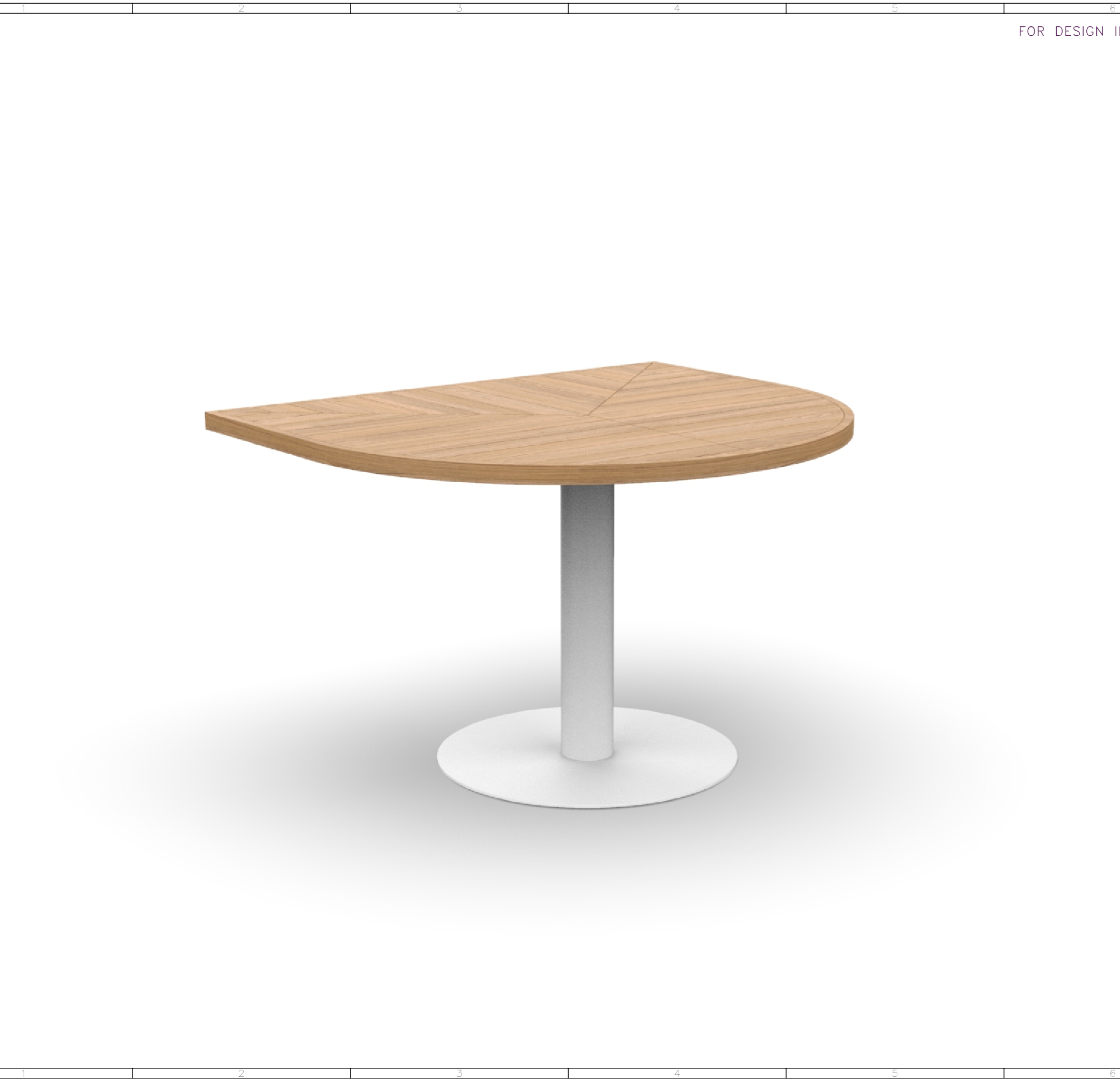


2 CG-213 TABLE AT ROUND BANQUETTE PLAN 1:12



-REV/	-ISSUED FOR	-DATE
<p>STUDIO MUNGE 25 WINGOLD AVENUE TORONTO, ONTARIO M6B 1P8 CANADA 416.588.1668 STUDIOMUNGE.COM</p>		
-SCALE	-DATE	
AS NOTED	11/19/20	
-DRAWN BY	-CHECKED BY	
EP		
-PROJECT NAME		
THE RAY		
-DRAWING TITLE		
CG-213 TABLE AT ROUND BANQUETTE		
-PROJECT NUMBER		
18113		
-DRAWING NUMBER		
1 / 2		

STUDIO MUNGE
Y
E
M
D
C
B
A
Y



FOR DESIGN INTENT ONLY

DRAWING ARE NOT TO BE SCALED. CONTRACTOR MUST CHECK AND VERIFY ALL JOB DIMENSIONS, DRAWINGS, DETAILS AND SPECIFICATIONS; AND REPORT ANY DISCREPANCIES TO DESIGNER BEFORE PROCEEDING WITH WORK.

-REV/	-ISSUED FOR	-DATE

**STUDIO
MUNGE**
25 WINGOLD AVENUE
TORONTO, ONTARIO
M6B 1P8 CANADA
416.588.1668
STUDIOMUNGE.COM

-SCALE
AS NOTED

-DATE
11/19/20

-DRAWN BY
EP

-CHECKED BY

-PROJECT NAME

THE RAY

-DRAWING TITLE

CG-213
TABLE AT ROUND BANQUETTE

-PROJECT NUMBER
18113

-DRAWING NUMBER
2 / 2