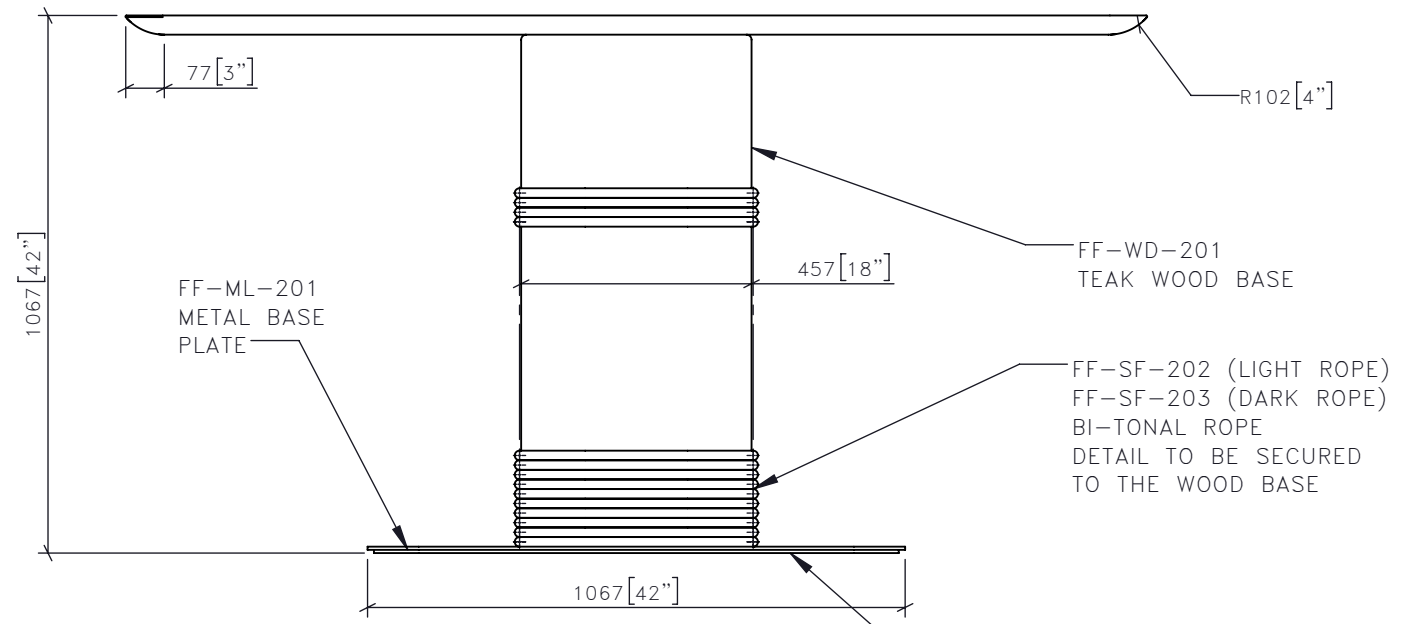


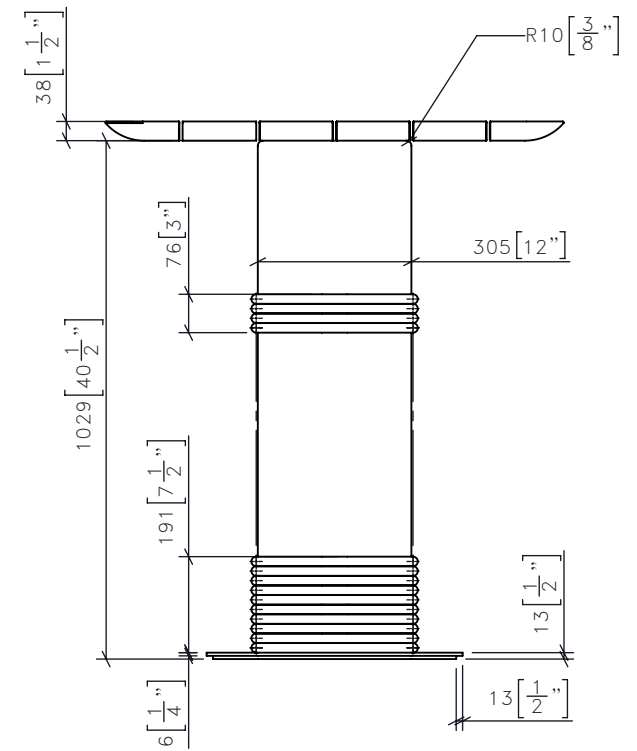
STUDIO MUNGE

FOR DESIGN INTENT ONLY

DRAWING ARE NOT TO BE SCALED. CONTRACTOR MUST CHECK AND VERIFY ALL JOB DIMENSIONS, DRAWINGS, DETAILS AND SPECIFICATIONS; AND REPORT ANY DISCREPANCIES TO DESIGNER BEFORE PROCEEDING WITH WORK.

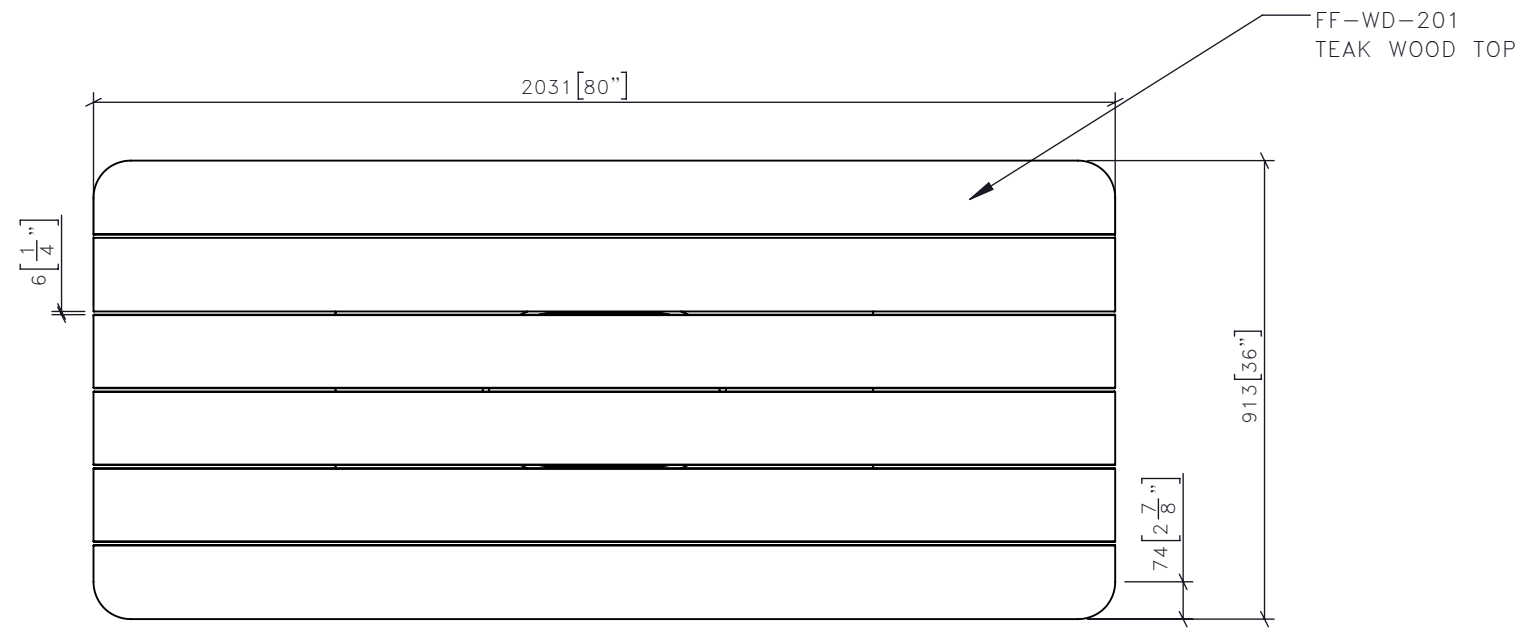


1 CG-212
1:15 HIGHTOP TABLE
FRONT ELEVATION



3 CG-212
1:15 HIGHTOP TABLE
SIDE ELEVATION

PROVIDE LOW PROFILE
ADJUSTABLE GLIDES



2 CG-212
1:15 HIGHTOP TABLE
PLAN

-SCALE
AS NOTED

-DATE
11/19/20

-DRAWN BY
EP

-CHECKED BY

-PROJECT NAME

THE RAY ROOFTOP

-DRAWING TITLE

CG-212
HIGHTOP TABLE

-PROJECT NUMBER
18113

-DRAWING NUMBER
1 / 3

STUDIO MUNGE
25 WINGOLD AVENUE
TORONTO, ONTARIO
M6B 1P8 CANADA
416.588.1668
STUDIOMUNGE.COM

STUDIO MUNGE
Y
M
D
C
B
A
Y

1 2 3 4 5 6

FOR DESIGN INTENT ONLY

DRAWING ARE NOT TO BE SCALED. CONTRACTOR MUST CHECK AND VERIFY ALL JOB DIMENSIONS, DRAWINGS, DETAILS AND SPECIFICATIONS; AND REPORT ANY DISCREPANCIES TO DESIGNER BEFORE PROCEEDING WITH WORK.

-REV/	-ISSUED FOR	-DATE



**STUDIO
MUNGE**
25 WINGOLD AVENUE
TORONTO, ONTARIO
M6B 1P8 CANADA
416.588.1668
STUDIOMUNGE.COM

-SCALE
AS NOTED

-DATE
11/19/20

-DRAWN BY
EP

-CHECKED BY

-PROJECT NAME

THE RAY ROOFTOP

-DRAWING TITLE

CG-212
HIGHTOP TABLE

-PROJECT NUMBER
18113

-DRAWING NUMBER
2 / 3

1 2 3 4 5 6

STUDIO MUNGE
Y
E
M
D
C
B
A
Y

1 2 3 4 5 6

FOR DESIGN INTENT ONLY

DRAWING ARE NOT TO BE SCALED. CONTRACTOR MUST CHECK AND VERIFY ALL JOB DIMENSIONS, DRAWINGS, DETAILS AND SPECIFICATIONS; AND REPORT ANY DISCREPANCIES TO DESIGNER BEFORE PROCEEDING WITH WORK.

-REV/	-ISSUED FOR	-DATE



**STUDIO
MUNGE**
25 WINGOLD AVENUE
TORONTO, ONTARIO
M6B 1P8 CANADA
416.588.1668
STUDIOMUNGE.COM

-SCALE
AS NOTED

-DATE
11/19/20

-DRAWN BY
EP

-CHECKED BY

-PROJECT NAME

THE RAY ROOFTOP

-DRAWING TITLE

CG-212
HIGHTOP TABLE

-PROJECT NUMBER
18113

-DRAWING NUMBER
3 / 3

1 2 3 4 5 6