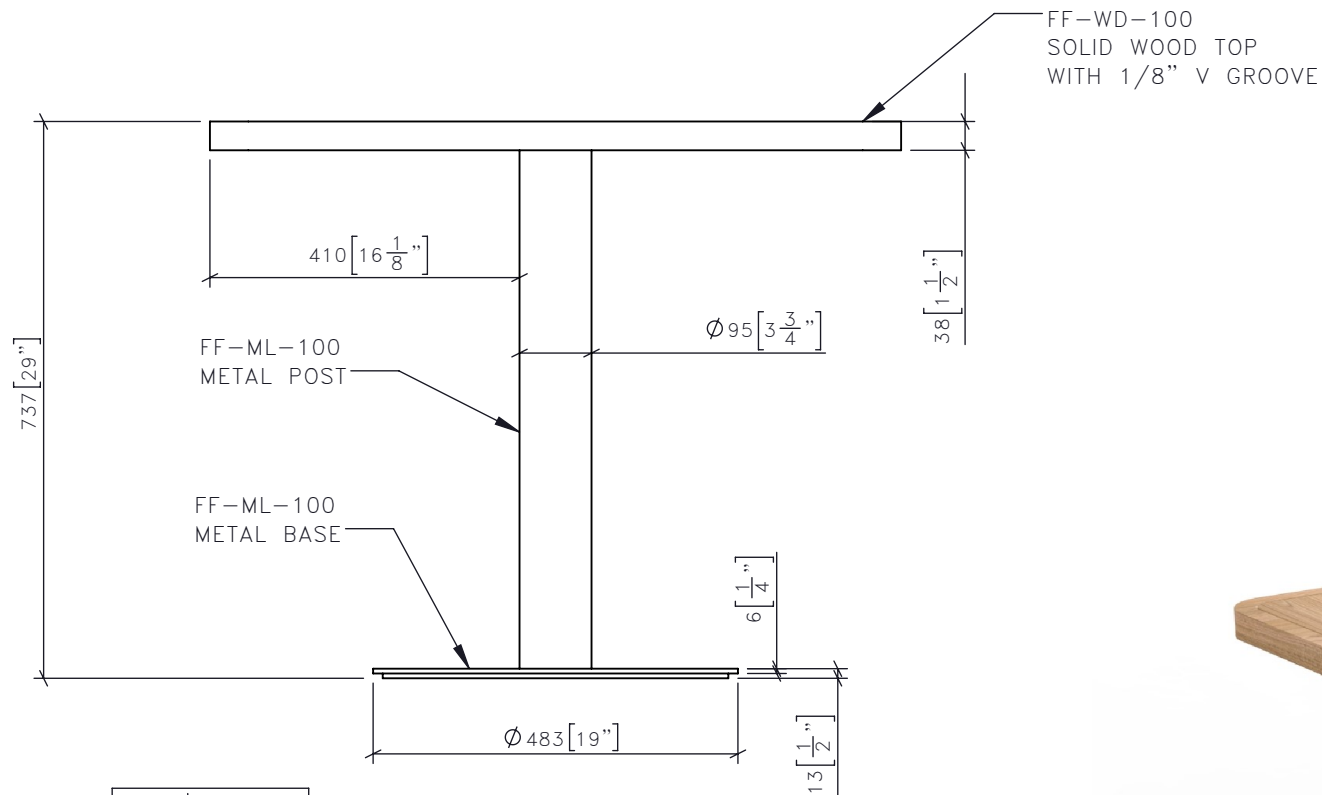
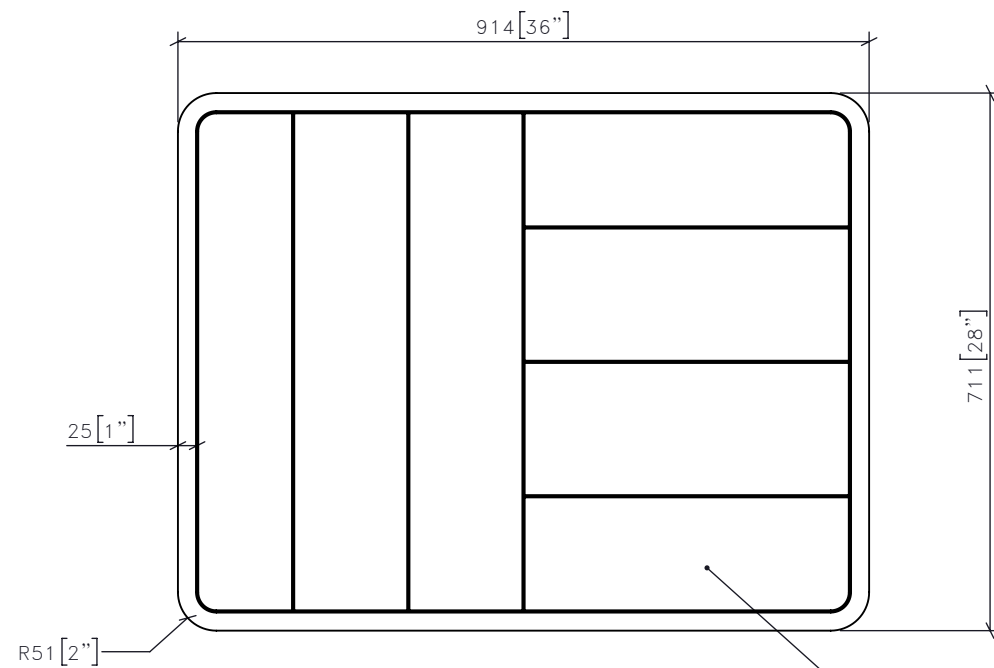


FOR DESIGN INTENT ONLY

DRAWING ARE NOT TO BE SCALED. CONTRACTOR MUST CHECK AND VERIFY ALL JOB DIMENSIONS, DRAWINGS, DETAILS AND SPECIFICATIONS; AND REPORT ANY DISCREPANCIES TO DESIGNER BEFORE PROCEEDING WITH WORK.



1 | CG-106 | **RECTANGULAR TABLE**
1:10 | **FRONT ELEVATION**



2 | CG-106 | **RECTANGULAR TABLE**
1:10 | **PLAN**

FF-WD-100
SOLID WOOD TOP
WITH 1/8" V GROOVE

-REV/	-ISSUED FOR	-DATE

STUDIO MUNGE
25 WINGOLD AVENUE
TORONTO, ONTARIO
M6B 1P8 CANADA
416.588.1668
STUDIOMUNGE.COM

-SCALE AS NOTED | -DATE 7/24/20

-DRAWN BY EP | -CHECKED BY

-PROJECT NAME

THE RAY GRILL

-DRAWING TITLE

CG-106
RECTANGULAR TABLE

-PROJECT NUMBER
18113

-DRAWING NUMBER
1 / 1