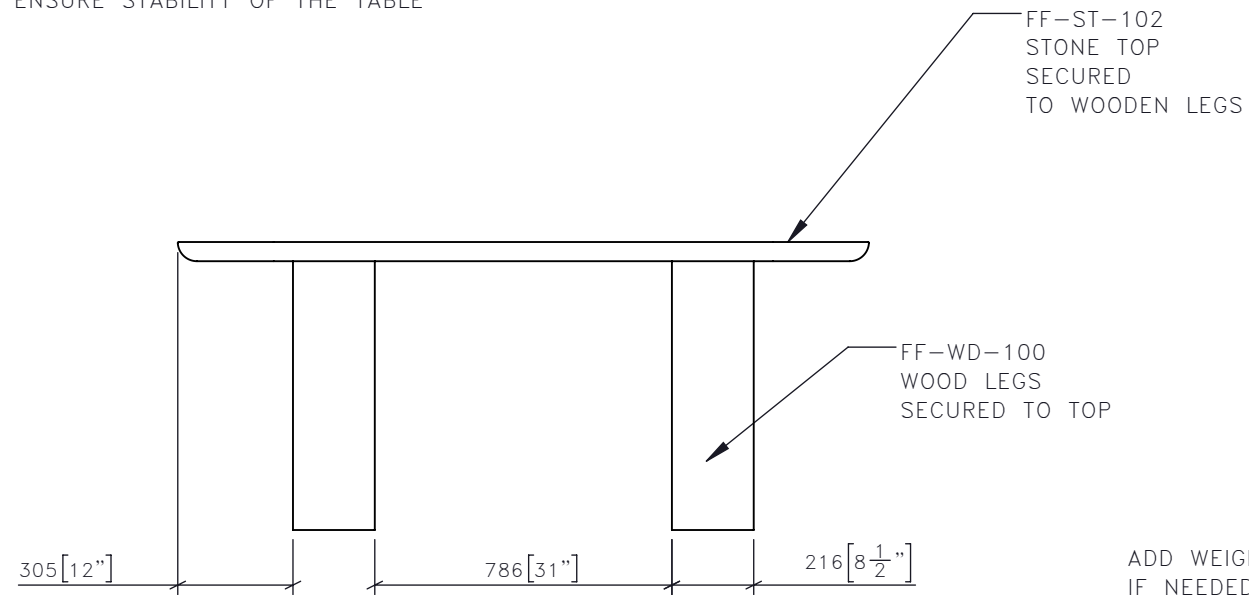


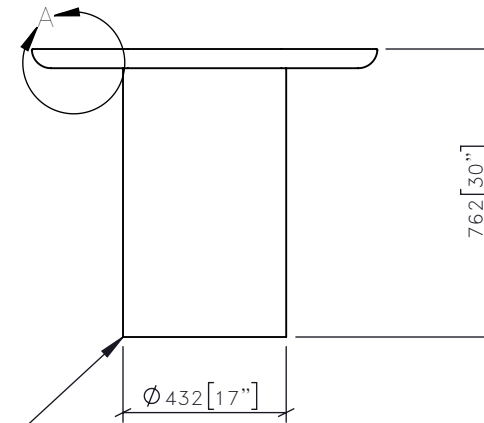
ENSURE STABILITY OF THE TABLE



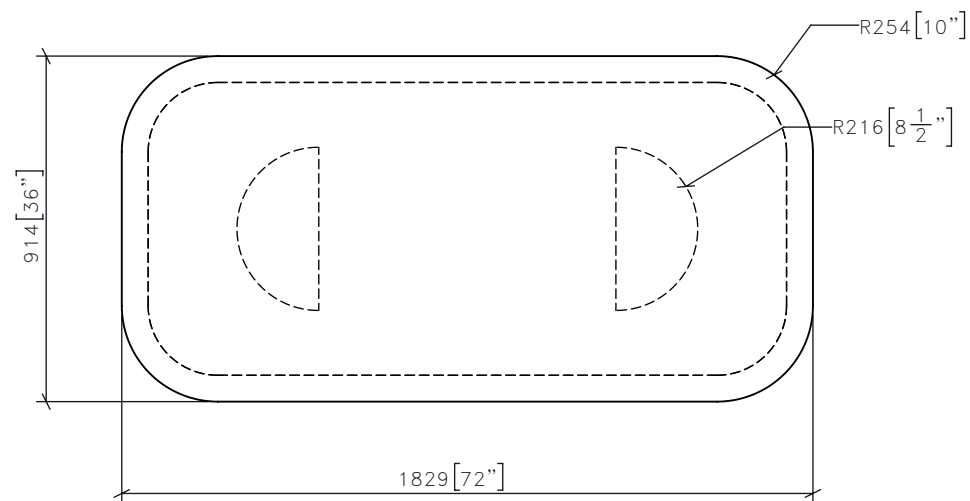
1 | CG-104 | **STONE TOP TABLE**
1:20 | **FRONT ELEVATION**

ADD WEIGHT TO BASE IF NEEDED FOR STABILITY

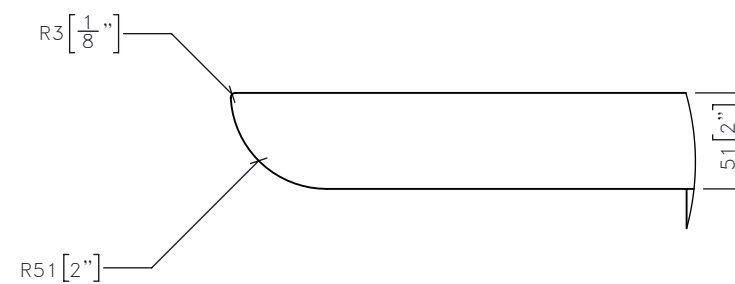
PROVIDE LOW PROFILE LEVELLERS IF NEEDED



3 | CG-104 | **STONE TOP TABLE**
1:20 | **SIDE ELEVATION**



2 | CG-104 | **STONE TOP TABLE**
1:20 | **PLAN**



DETAIL A
SCALE 1 : 4

-REV/	-ISSUED FOR	-DATE

STUDIO MUNGE
25 WINGOLD AVENUE
TORONTO, ONTARIO
M6B 1P8 CANADA
416.588.1668
STUDIOMUNGE.COM

-SCALE AS NOTED
-DATE 7/29/20

-DRAWN BY EP
-CHECKED BY

-PROJECT NAME

THE RAY GRILL

-DRAWING TITLE

CG-104
STONE TOP TABLE

-PROJECT NUMBER
18113

-DRAWING NUMBER
1 / 2

STUDIO MUNGE
Y
M
D
C
B
A
Y



FOR DESIGN INTENT ONLY

DRAWING ARE NOT TO BE SCALED. CONTRACTOR MUST CHECK AND VERIFY ALL JOB DIMENSIONS, DRAWINGS, DETAILS AND SPECIFICATIONS; AND REPORT ANY DISCREPANCIES TO DESIGNER BEFORE PROCEEDING WITH WORK.

-REV/	-ISSUED FOR	-DATE

STUDIO MUNGE
25 WINGOLD AVENUE
TORONTO, ONTARIO
M6B 1P8 CANADA
416.588.1668
STUDIOMUNGE.COM

-SCALE
AS NOTED

-DATE
7/29/20

-DRAWN BY
EP

-CHECKED BY

-PROJECT NAME

THE RAY GRILL

-DRAWING TITLE

CG-104
STONE TOP TABLE

-PROJECT NUMBER
18113

-DRAWING NUMBER
2 / 2