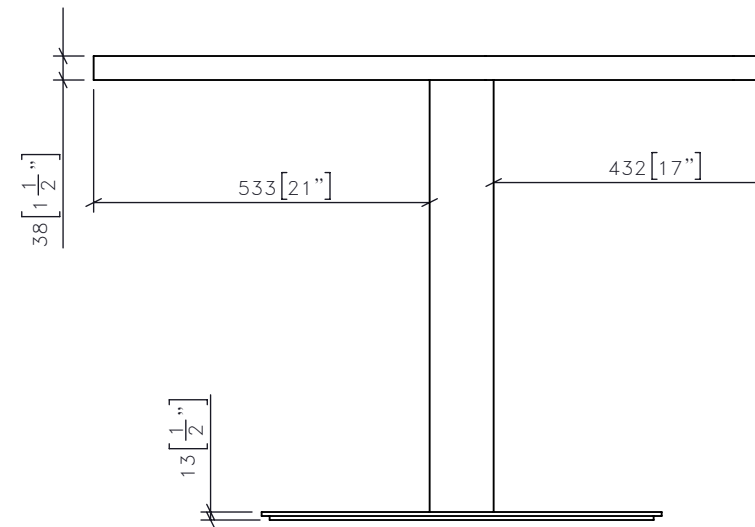
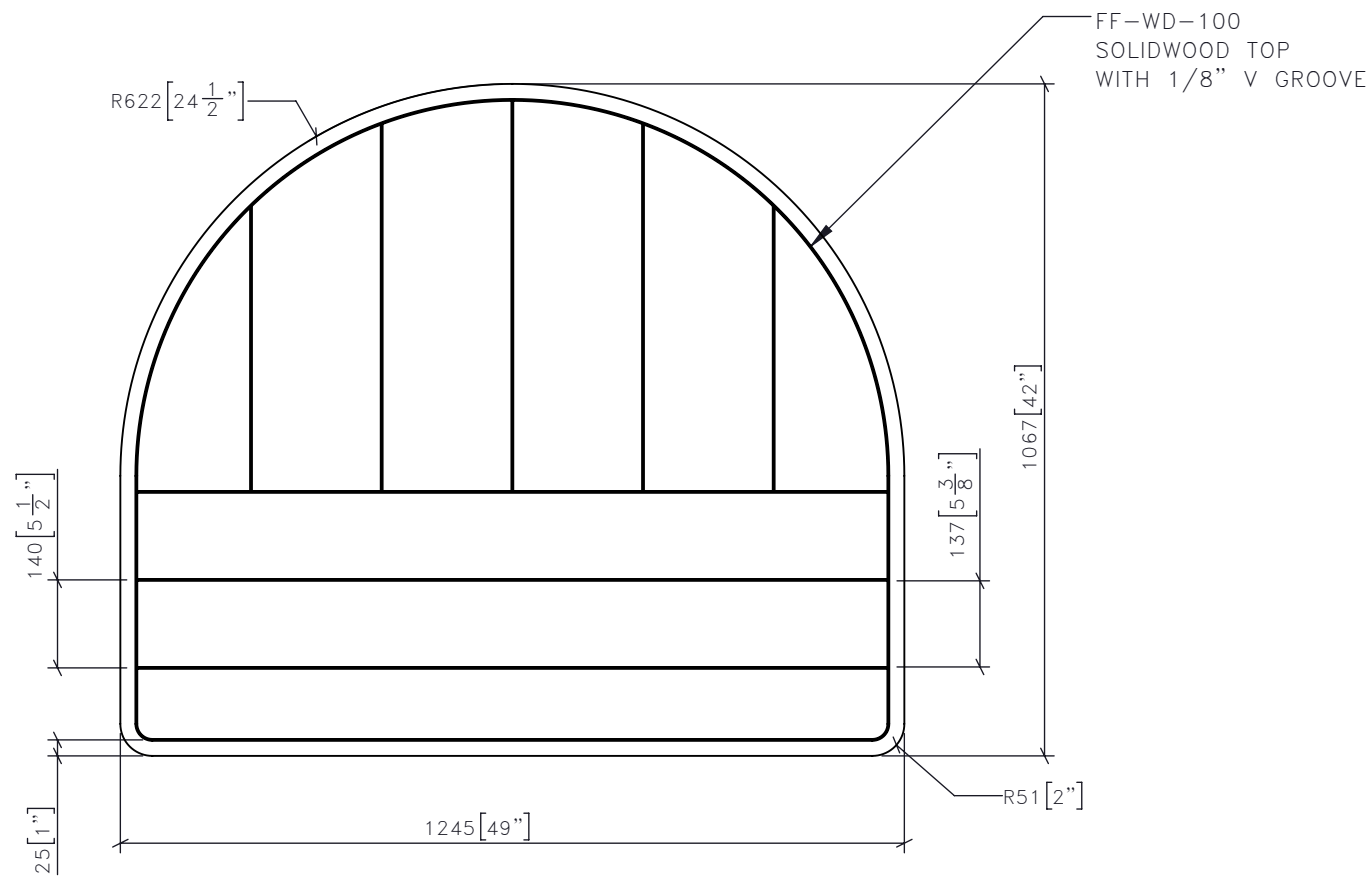


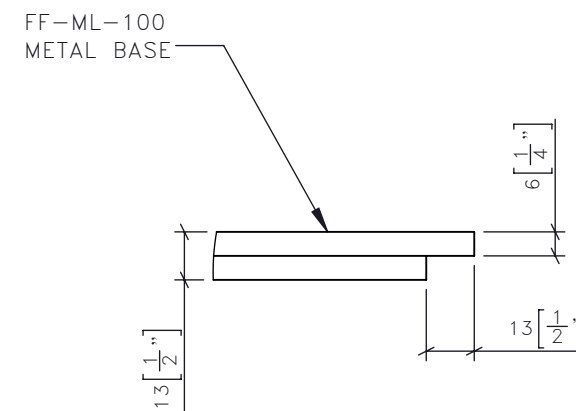
1 CG-103 TABLE AT ROUND BANQUETTE
1:12 FRONT ELEVATION



3 CG-103 TABLE AT ROUND BANQUETTE
1:12 SIDE ELEVATION



2 CG-103 TABLE AT ROUND BANQUETTE
1:12 PLAN



DETAIL F
SCALE 1 : 2

-REV/	-ISSUED FOR	-DATE

STUDIO MUNGE
25 WINGOLD AVENUE
TORONTO, ONTARIO
M6B 1P8 CANADA
416.588.1668
STUDIOMUNGE.COM

-SCALE AS NOTED
-DATE 7/24/20

-DRAWN BY EP
-CHECKED BY

-PROJECT NAME

THE RAY GRILL

-DRAWING TITLE

CG-103
TABLE AT ROUND BANQUETTE

-PROJECT NUMBER
18113

-DRAWING NUMBER
1 / 2

STUDIO MUNGE
Y
E
M
D
C
B
A
Y

1 2 3 4 5 6

FOR DESIGN INTENT ONLY

DRAWING ARE NOT TO BE SCALED. CONTRACTOR MUST CHECK AND VERIFY ALL JOB DIMENSIONS, DRAWINGS, DETAILS AND SPECIFICATIONS; AND REPORT ANY DISCREPANCIES TO DESIGNER BEFORE PROCEEDING WITH WORK.

-REV/	-ISSUED FOR	-DATE



**STUDIO
MUNGE**
25 WINGOLD AVENUE
TORONTO, ONTARIO
M6B 1P8 CANADA
416.588.1668
STUDIOMUNGE.COM

-SCALE
AS NOTED

-DATE
7/24/20

-DRAWN BY
EP

-CHECKED BY

-PROJECT NAME

THE RAY GRILL

-DRAWING TITLE

CG-103
TABLE AT ROUND BANQUETTE

-PROJECT NUMBER
18113

-DRAWING NUMBER
2 / 2

1 2 3 4 5 6