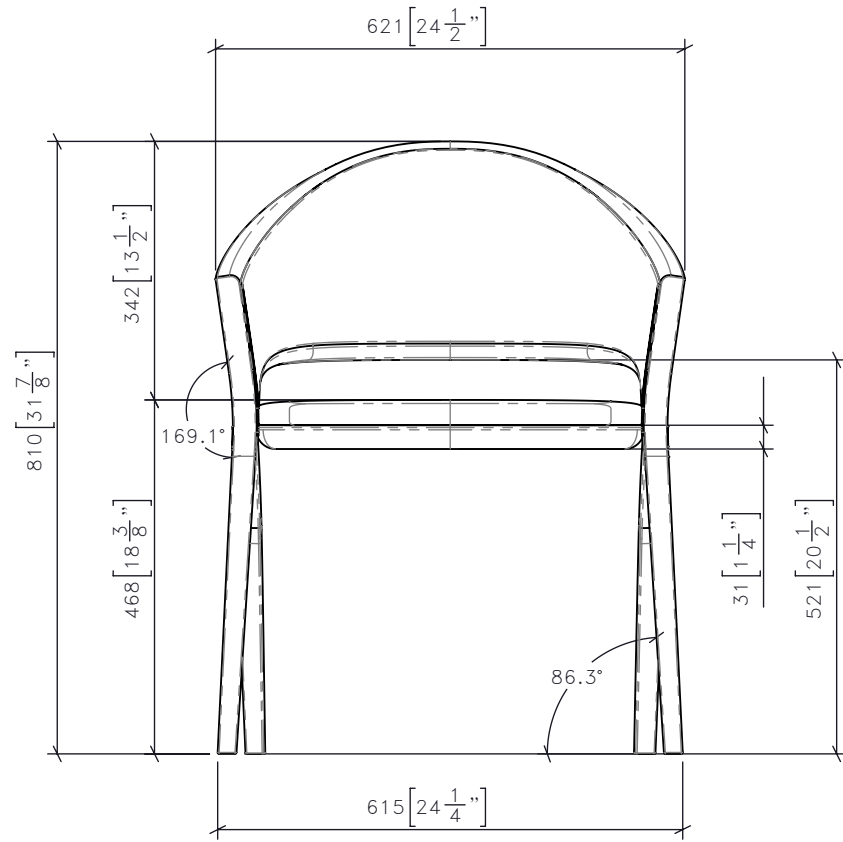
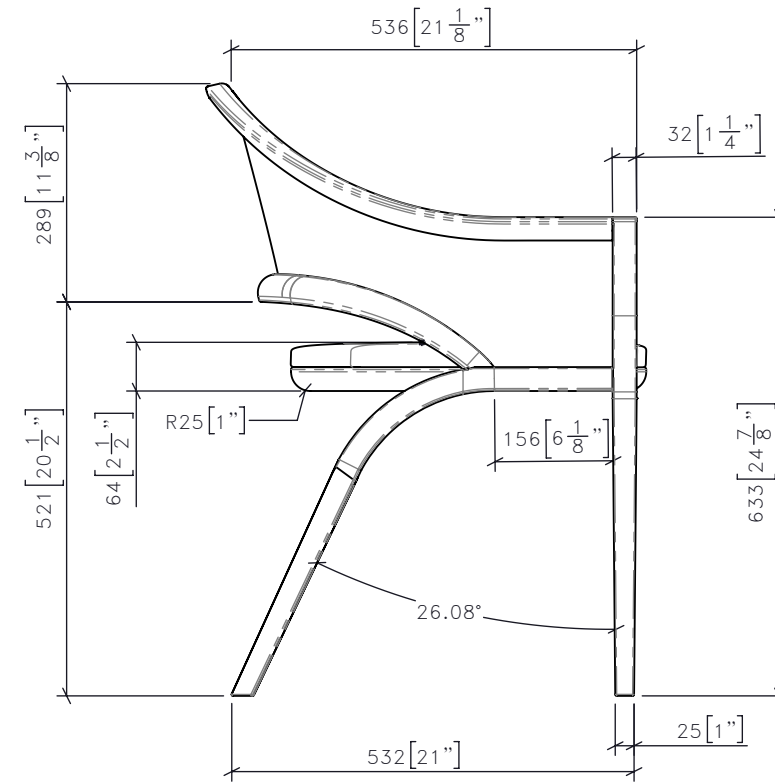


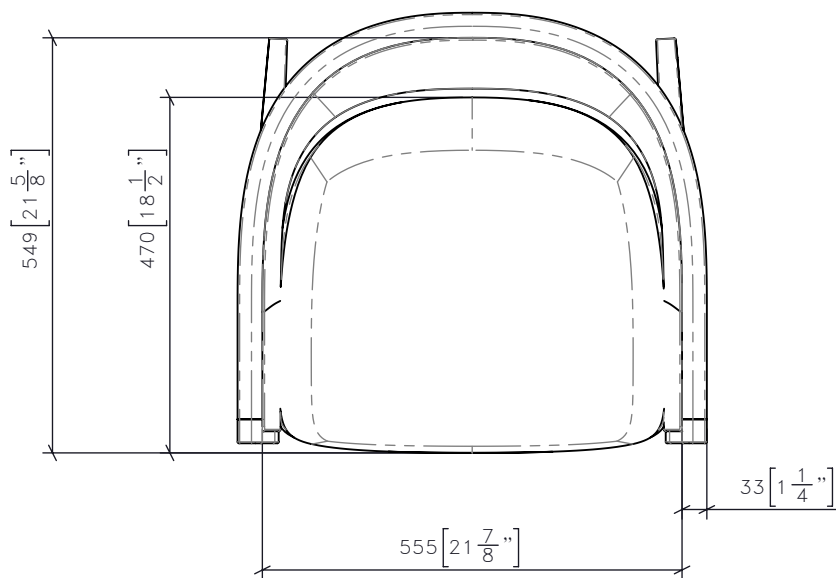
-REV/	-ISSUED FOR	-DATE



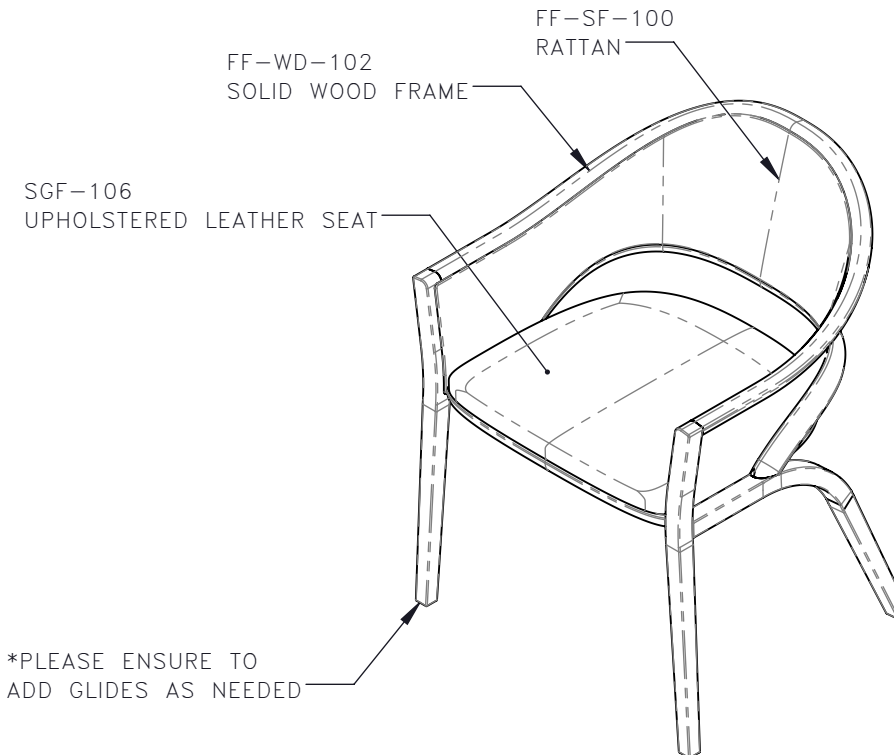
1 | SG-106 | RATTAN CHAIR
1:10 | FRONT ELEVATION



3 | SG-106 | RATTAN CHAIR
1:10 | SIDE ELEVATION



2 | SG-106 | RATTAN CHAIR
1:10 | PLAN



4 | SG-106 | RATTAN CHAIR
1:10 | ISOMETRIC

STUDIO MUNGE
25 WINGOLD AVENUE
TORONTO, ONTARIO
M6B 1P8 CANADA
416.588.1668
STUDIOMUNGE.COM

-SCALE AS NOTED | -DATE 2/11/20

-DRAWN BY CS | -CHECKED BY

-PROJECT NAME

THE RAY GRILL

-DRAWING TITLE

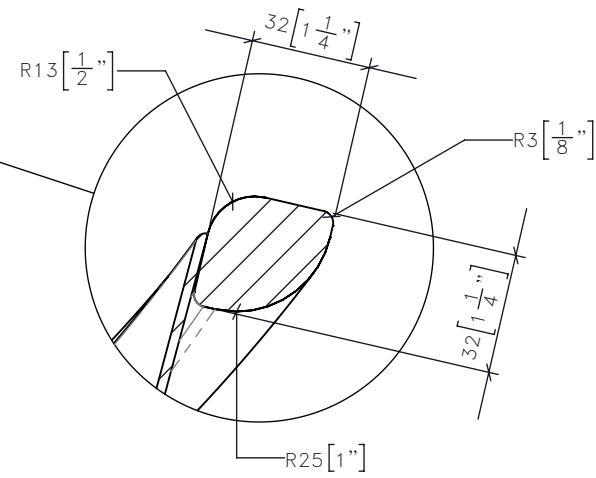
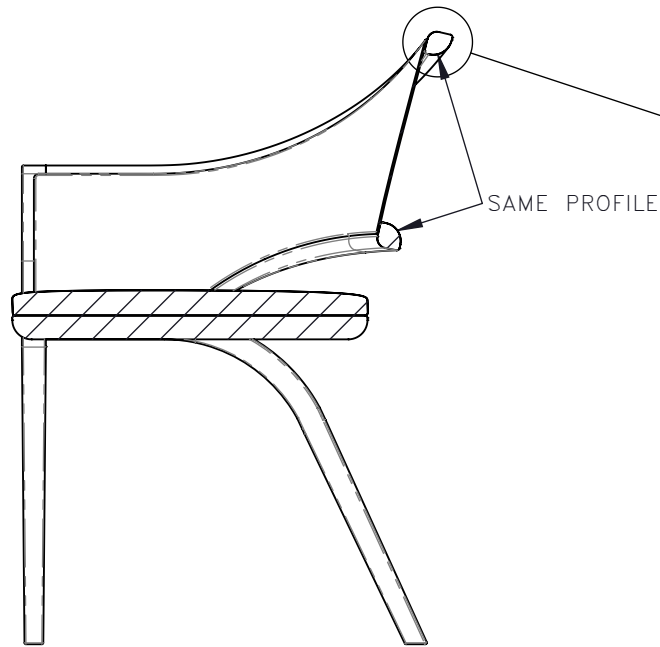
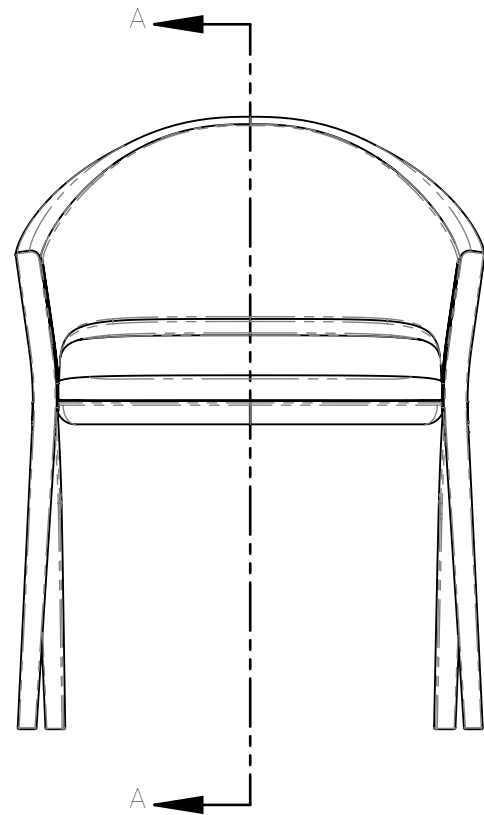
SG-106
RATTAN CHAIR

-PROJECT NUMBER
18113

-DRAWING NUMBER
1 / 3

FOR DESIGN INTENT ONLY

DRAWING ARE NOT TO BE SCALED. CONTRACTOR MUST CHECK AND VERIFY ALL JOB DIMENSIONS, DRAWINGS, DETAILS AND SPECIFICATIONS; AND REPORT ANY DISCREPANCIES TO DESIGNER BEFORE PROCEEDING WITH WORK.



DETAIL B
SCALE 1 : 2

SECTION A-A

-REV/	-ISSUED FOR	-DATE

STUDIO MUNGE
 25 WINGOLD AVENUE
 TORONTO, ONTARIO
 M6B 1P8 CANADA
 416.588.1668
 STUDIOMUNGE.COM

-SCALE AS NOTED
 -DATE 2/11/20

-DRAWN BY EP
 -CHECKED BY

-PROJECT NAME

THE RAY GRILL

-DRAWING TITLE

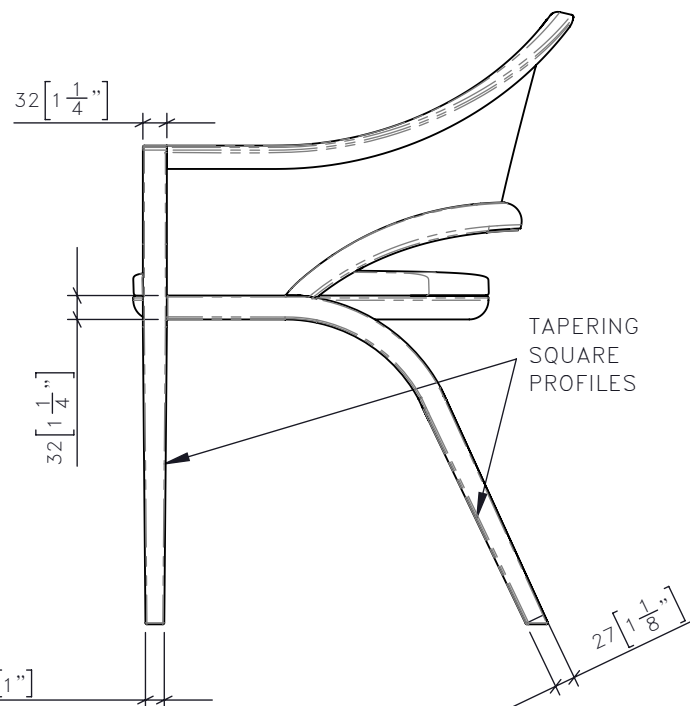
SG-106
 RATTAN CHAIR

-PROJECT NUMBER 18113

-DRAWING NUMBER 2 / 3

5 | SG-106 | RATTAN CHAIR
 1:10 | FRONT ELEVATION

6 | SG-106 | SECTION VIEW A
 1:10 | SIDE ELEVATION



7 | SG-106 | RATTAN CHAIR
 1:10 | SIDE ELEVATION

STUDIO MUNGE

FOR DESIGN INTENT ONLY

DRAWING ARE NOT TO BE SCALED. CONTRACTOR MUST CHECK AND VERIFY ALL JOB DIMENSIONS, DRAWINGS, DETAILS AND SPECIFICATIONS; AND REPORT ANY DISCREPANCIES TO DESIGNER BEFORE PROCEEDING WITH WORK.

-REV/	-ISSUED FOR	-DATE



8	SG-106	RATTAN CHAIR
	1:10	RENDERING: FRONT & BACK



9	SG-106	RATTAN CHAIR
	1:10	RENDERING: SIDE & 3/4

STUDIO MUNGE
 25 WINGOLD AVENUE
 TORONTO, ONTARIO
 M6B 1P8 CANADA
 416.588.1668
 STUDIOMUNGE.COM

-SCALE
AS NOTED

-DATE
2/11/20

-DRAWN BY
EP

-CHECKED BY

-PROJECT NAME

THE RAY GRILL

-DRAWING TITLE

SG-106
RATTAN CHAIR

-PROJECT NUMBER
18113

-DRAWING NUMBER
3 / 3