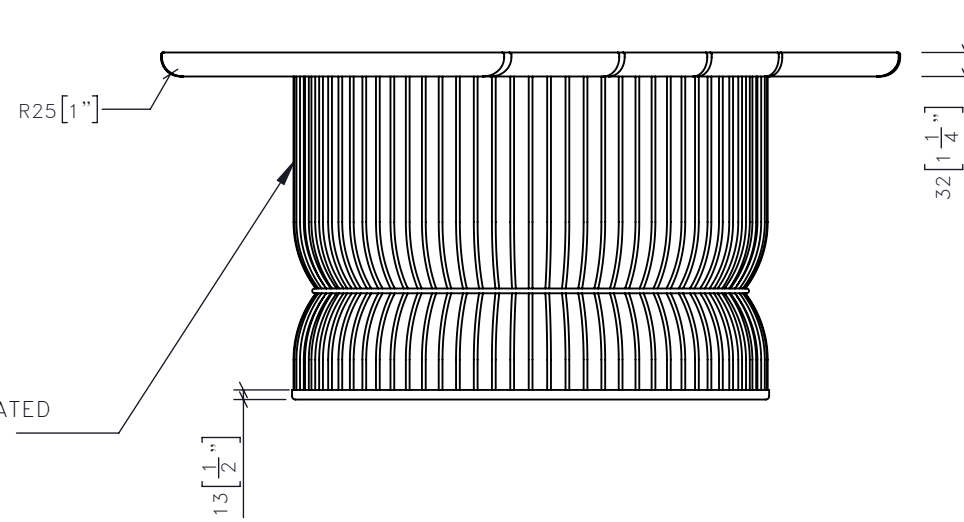
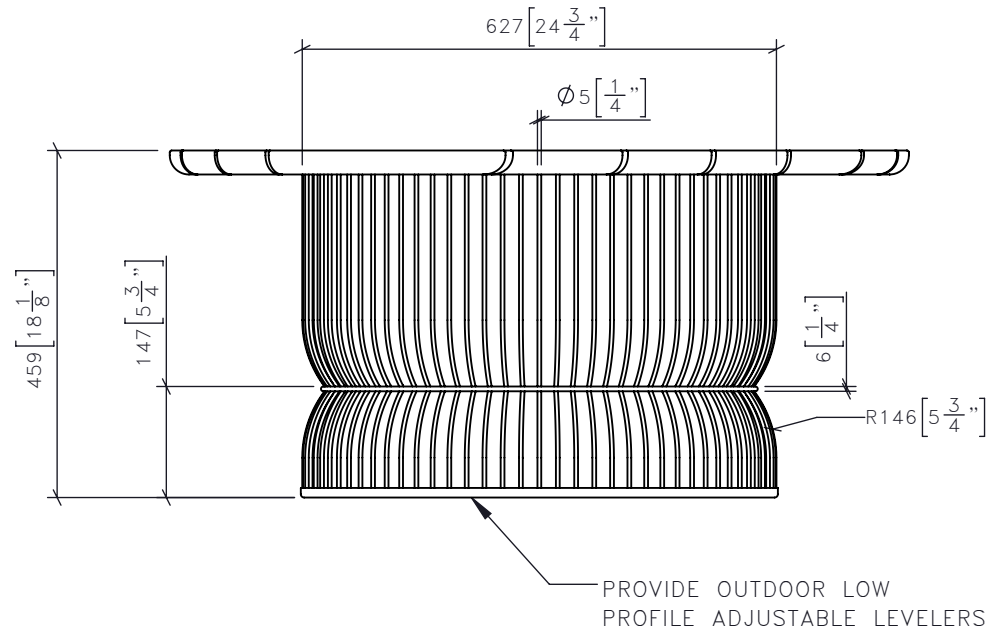
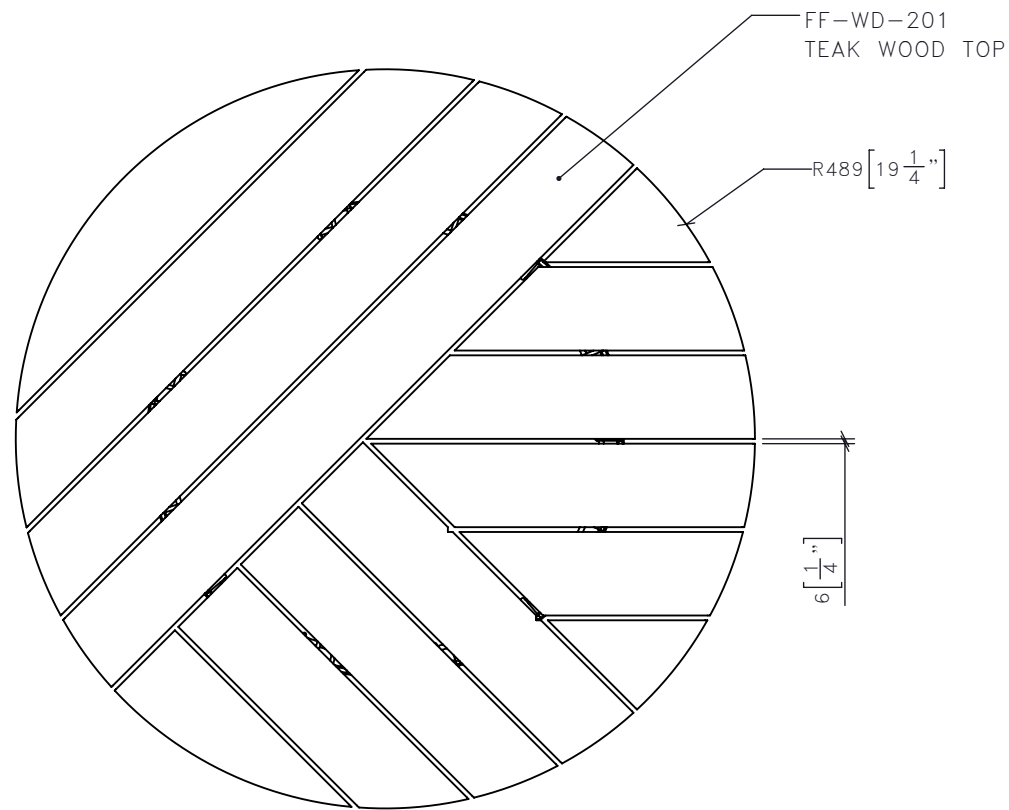


-REV/	-ISSUED FOR	-DATE



**1** CG-207  
1:10 **OUTDOOR COFFE TABLE  
FRONT ELEVATION**

**3** CG-207  
1:10 **OUTDOOR COFFE TABLE  
SIDE ELEVATION**



**2** CG-207  
1:10 **OUTDOOR COFFE TABLE  
PLAN**

**STUDIO  
MUNGE** 25 WINGOLD AVENUE  
TORONTO, ONTARIO  
M6B 1P8 CANADA  
416.588.1668  
STUDIOMUNGE.COM

<b>-SCALE</b> AS NOTED	<b>-DATE</b> 11/19/20
<b>-DRAWN BY</b> EP	<b>-CHECKED BY</b>
<b>-PROJECT NAME</b>  THE RAY ROOFTOP	
<b>-DRAWING TITLE</b>  CG-207 OUTDOOR COFFE TABLE	
<b>-PROJECT NUMBER</b> 18113	
<b>-DRAWING NUMBER</b> 1 / 2	

S.T.U.D.I.O. M.U.N.G.E

FOR DESIGN INTENT ONLY

DRAWING ARE NOT TO BE SCALED. CONTRACTOR MUST CHECK AND VERIFY ALL JOB DIMENSIONS, DRAWINGS, DETAILS AND SPECIFICATIONS; AND REPORT ANY DISCREPANCIES TO DESIGNER BEFORE PROCEEDING WITH WORK.

-REV/	-ISSUED FOR	-DATE



**STUDIO MUNGE**  
 25 WINGOLD AVENUE  
 TORONTO, ONTARIO  
 M6B 1P8 CANADA  
 416.588.1668  
 STUDIOMUNGE.COM

**-SCALE**  
AS NOTED

**-DATE**  
11/19/20

**-DRAWN BY**  
EP

**-CHECKED BY**

**-PROJECT NAME**  
THE RAY ROOFTOP

**-DRAWING TITLE**  
CG-207  
OUTDOOR COFFE TABLE

**-PROJECT NUMBER**  
18113

**-DRAWING NUMBER**  
2 / 2