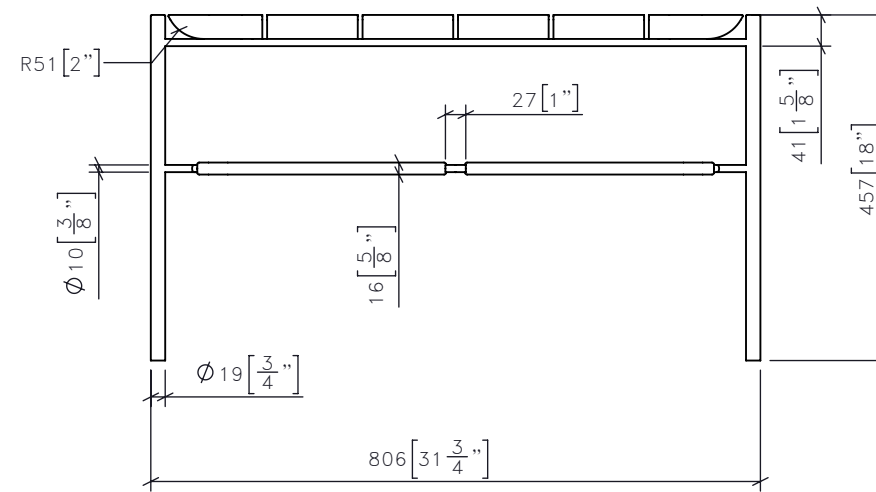
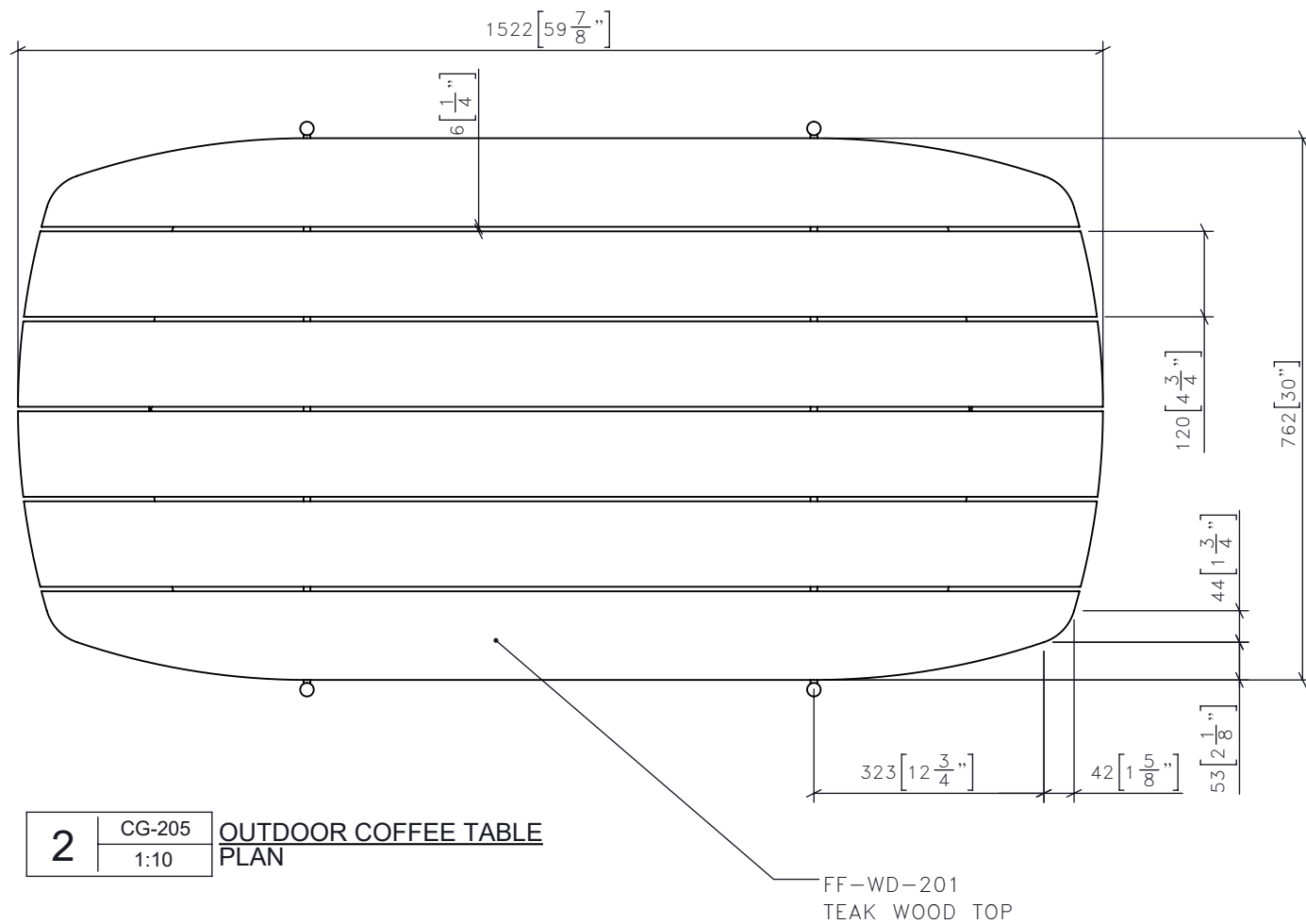


1 CG-205
1:10 **OUTDOOR COFFEE TABLE
FRONT ELEVATION**



3 CG-205
1:10 **OUTDOOR COFFEE TABLE
SIDE ELEVATION**



2 CG-205
1:10 **OUTDOOR COFFEE TABLE
PLAN**

REV	ISSUED FOR	DATE

**STUDIO
MUNGE**
25 WINGOLD AVENUE
TORONTO, ONTARIO
M6B 1P8 CANADA
416.588.1668
STUDIOMUNGE.COM

-SCALE
AS NOTED

-DATE
11/19/20

-DRAWN BY
CS

-CHECKED BY

-PROJECT NAME

THE RAY

-DRAWING TITLE

CG-205
OUTDOOR COFFEE TABLE

-PROJECT NUMBER
18113

-DRAWING NUMBER
1 / 2

STUDIO MUNGE

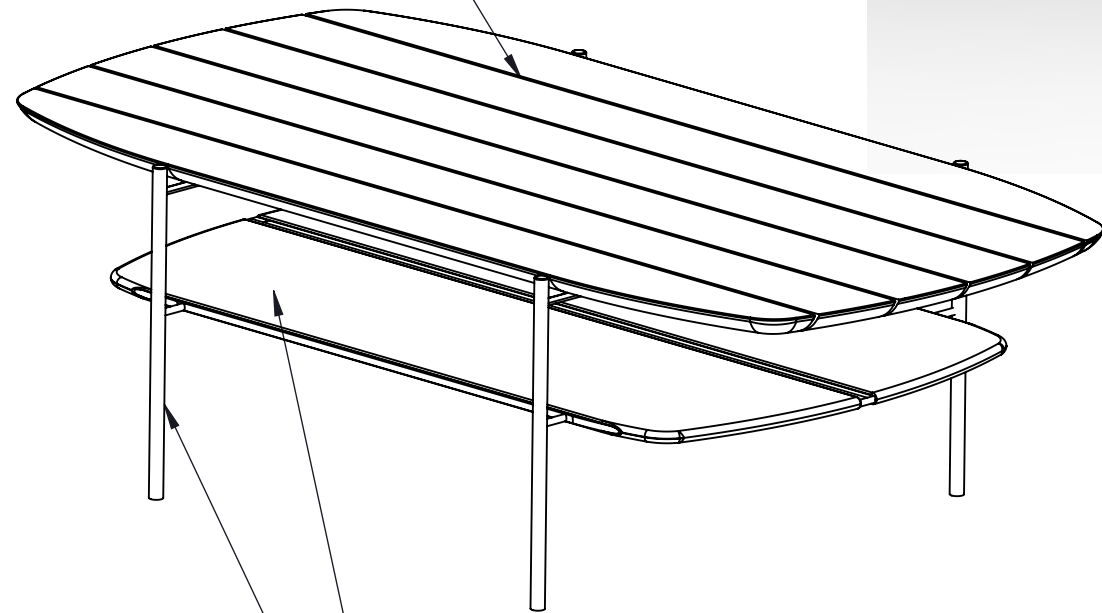
FOR DESIGN INTENT ONLY

DRAWING ARE NOT TO BE SCALED. CONTRACTOR MUST CHECK AND VERIFY ALL JOB DIMENSIONS, DRAWINGS, DETAILS AND SPECIFICATIONS; AND REPORT ANY DISCREPANCIES TO DESIGNER BEFORE PROCEEDING WITH WORK.

-REV/	-ISSUED FOR	-DATE



FF-WD-201
TEAK WOOD TOP



FF-SF-204
TAUT TWINE
SHELF

FF-ML-201
METAL FRAME



**STUDIO
MUNGE**
25 WINGOLD AVENUE
TORONTO, ONTARIO
M6B 1P8 CANADA
416.588.1668
STUDIOMUNGE.COM

-SCALE
AS NOTED

-DATE
11/19/20

-DRAWN BY
CS

-CHECKED BY

-PROJECT NAME

THE RAY

-DRAWING TITLE

CG-205
OUTDOOR COFFEE TABLE

-PROJECT NUMBER
18113

-DRAWING NUMBER
2 / 2

4	CG-205	OUTDOOR COFFEE TABLE ISOMETRIC FRONT
	1:16	