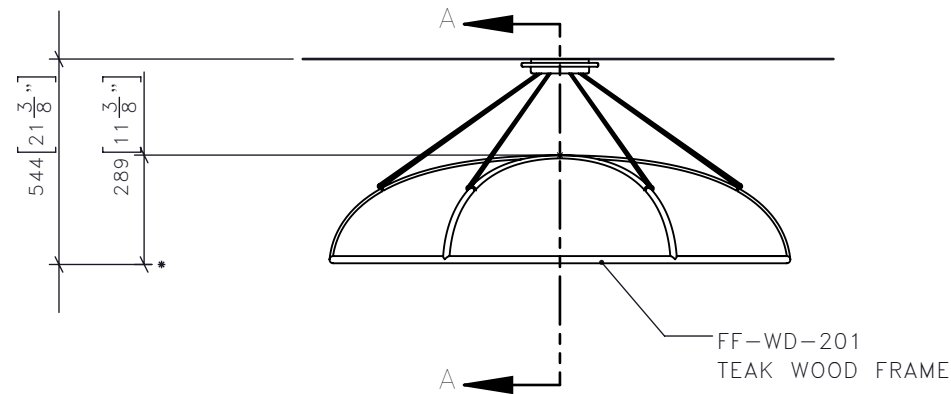
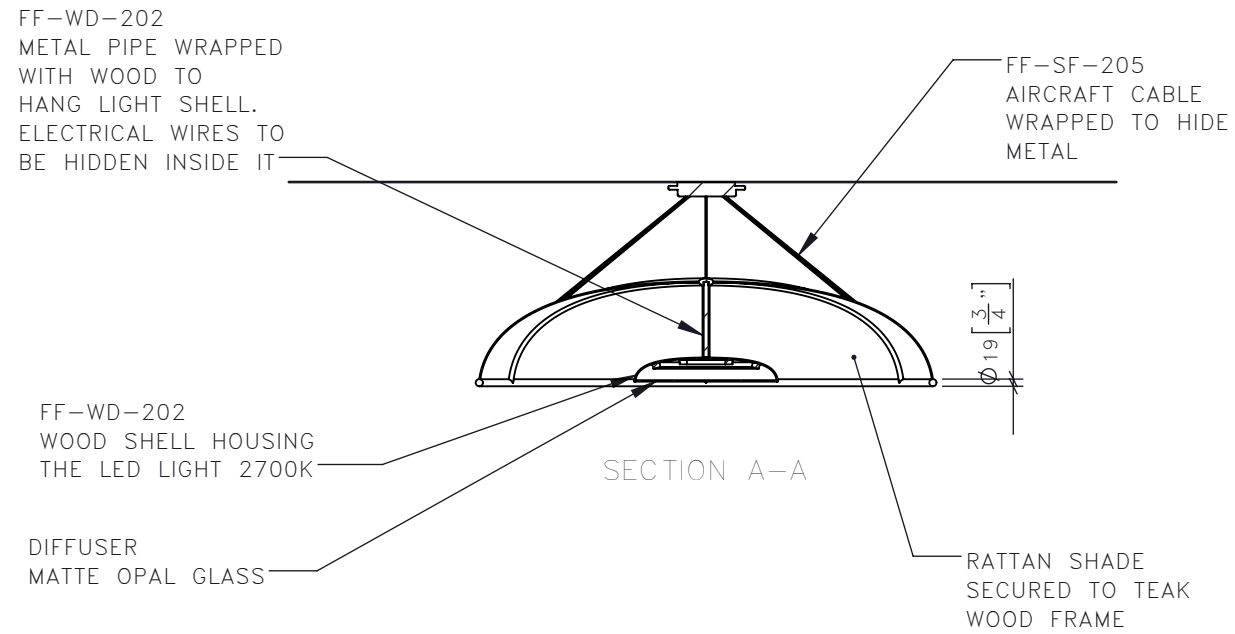


FOR DESIGN INTENT ONLY

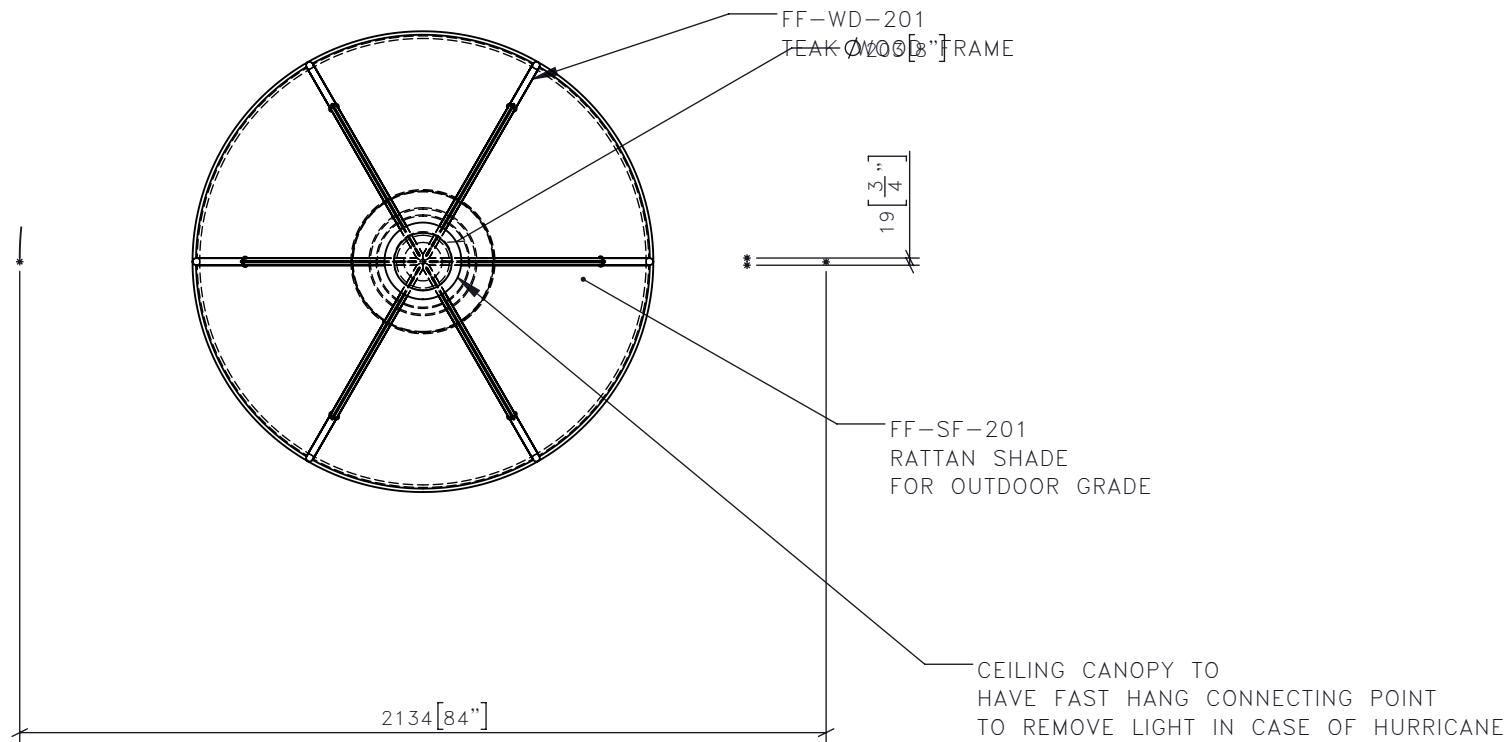
DRAWING ARE NOT TO BE SCALED. CONTRACTOR MUST CHECK AND VERIFY ALL JOB DIMENSIONS, DRAWINGS, DETAILS AND SPECIFICATIONS; AND REPORT ANY DISCREPANCIES TO DESIGNER BEFORE PROCEEDING WITH WORK.



1 | LT-202 B | **SUSPENDED LIGHT FIXTURE FRONT ELEVATION**
1:20



3 | LT-202 B | **SUSPENDED LIGHT FIXTURE SIDE ELEVATION SECTION**
1:20



2 | LT-202 B | **SUSPENDED LIGHT FIXTURE PLAN**
1:20

-REV/	-ISSUED FOR	-DATE

STUDIO MUNGE
25 WINGOLD AVENUE
TORONTO, ONTARIO
M6B 1P8 CANADA
416.588.1668
STUDIOMUNGE.COM

-SCALE
AS NOTED

-DATE
11/19/20

-DRAWN BY
EP

-CHECKED BY

-PROJECT NAME

THE RAY ROOFTOP

-DRAWING TITLE

LT-202 B
SUSPENDED LIGHT FIXTURE

-PROJECT NUMBER
18113

-DRAWING NUMBER
1 / 3

STUDIO MUNGE
Y
M
D
C
B
A
Y

1 2 3 4 5 6

FOR DESIGN INTENT ONLY

DRAWING ARE NOT TO BE SCALED. CONTRACTOR MUST CHECK AND VERIFY ALL JOB DIMENSIONS, DRAWINGS, DETAILS AND SPECIFICATIONS; AND REPORT ANY DISCREPANCIES TO DESIGNER BEFORE PROCEEDING WITH WORK.

-REV/	-ISSUED FOR	-DATE



**STUDIO
MUNGE** 25 WINGOLD AVENUE
TORONTO, ONTARIO
M6B 1P8 CANADA
416.588.1668
STUDIOMUNGE.COM

-SCALE AS NOTED	-DATE 11/19/20
-DRAWN BY EP	-CHECKED BY
-PROJECT NAME THE RAY ROOFTOP	
-DRAWING TITLE LT-202 B SUSPENDED LIGHT FIXTURE	
-PROJECT NUMBER 18113	
-DRAWING NUMBER 2 / 3	

1 2 3 4 5 6

STUDIO MUNGE
Y
M
D
C
B
A
Y



FOR DESIGN INTENT ONLY

DRAWING ARE NOT TO BE SCALED. CONTRACTOR MUST CHECK AND VERIFY ALL JOB DIMENSIONS, DRAWINGS, DETAILS AND SPECIFICATIONS; AND REPORT ANY DISCREPANCIES TO DESIGNER BEFORE PROCEEDING WITH WORK.

-REV/	-ISSUED FOR	-DATE

**STUDIO
MUNGE**
25 WINGOLD AVENUE
TORONTO, ONTARIO
M6B 1P8 CANADA
416.588.1668
STUDIOMUNGE.COM

-SCALE
AS NOTED

-DATE
11/19/20

-DRAWN BY
EP

-CHECKED BY

-PROJECT NAME

THE RAY ROOFTOP

-DRAWING TITLE

LT-202 B
SUSPENDED LIGHT FIXTURE

-PROJECT NUMBER
18113

-DRAWING NUMBER
3 / 3