

CIVILIAN HOUSE OF CANNABIS

71-75 FRONT ST E

DESIGN PACKAGE - FEBRUARY 5TH, 2021



STUDIO
MUNGE

WE DO MORE THAN INTERIOR DESIGN.

We think beyond walls and floors and imagine the shared experience.

WE CREATE MORE THAN PRETTY PICTURES.

Studio Munge creates the energy that audiences respond to and brings businesses to life.

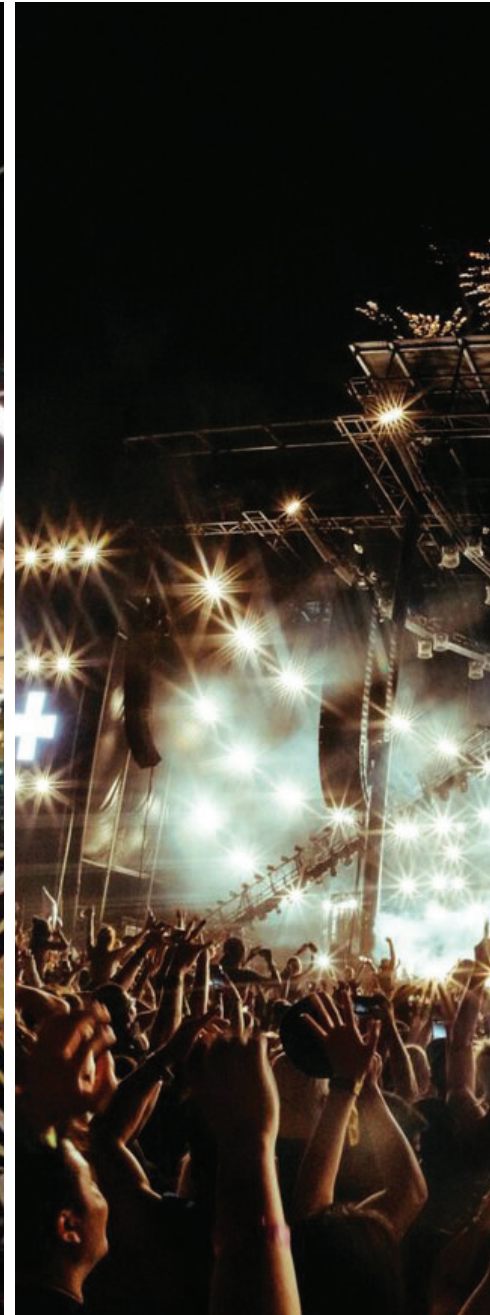
Since 1997, we have been positively impacting the communities and cities we design in.

WE IMAGINE EXCITING SPACES.

Spaces that people want to be a part of. We have a keen insight, foresight, and passion for the flow of design that brings a space to life.



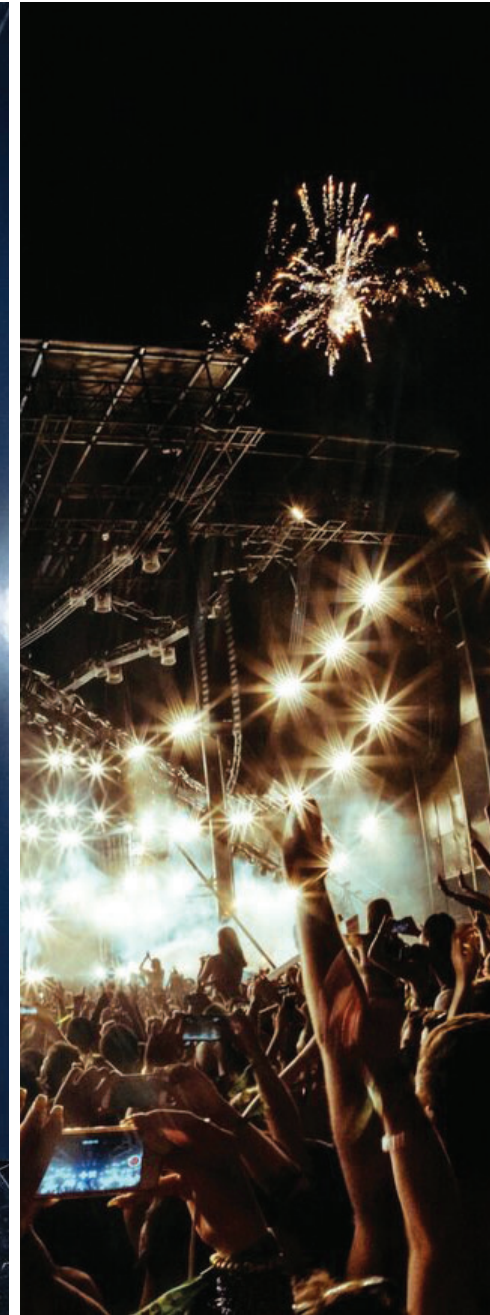
EXPERIENCE FOCUS



ENTERTAINER



LEADER



HOSPITALITY FOCUS



A SENSORY JOURNEY



PRESENCE OF A BAR



IMMERSIVE



STORY TELLING

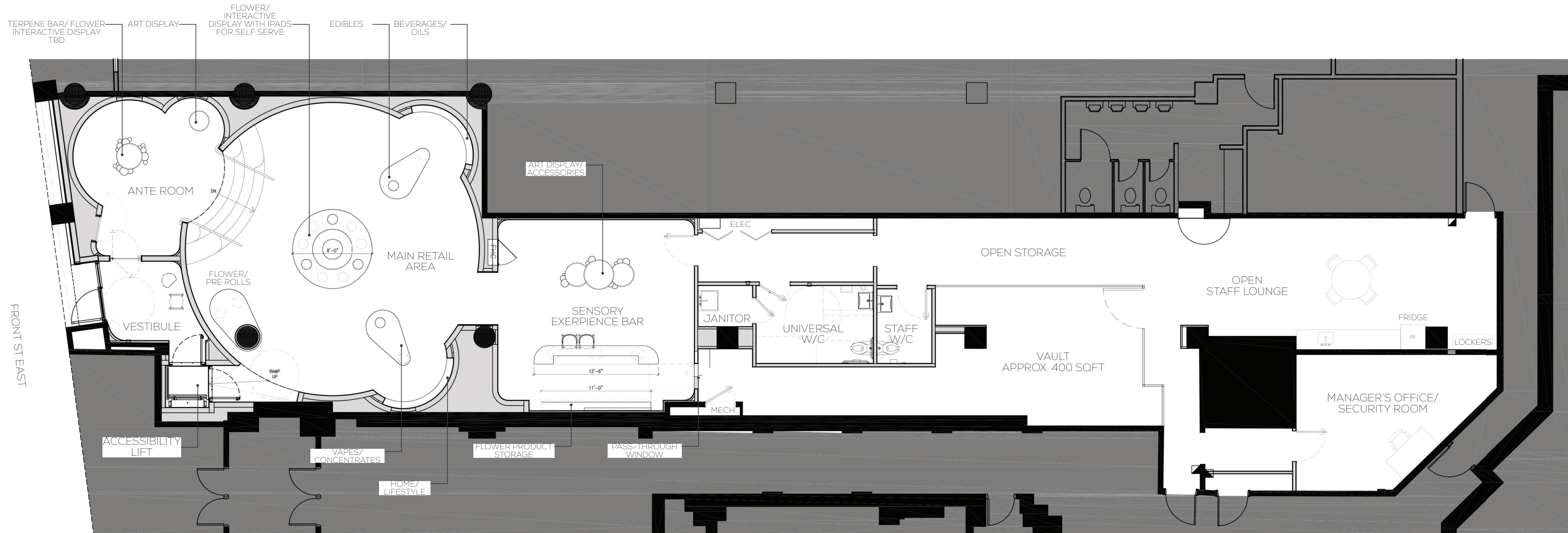


ARTFUL MOMENTS

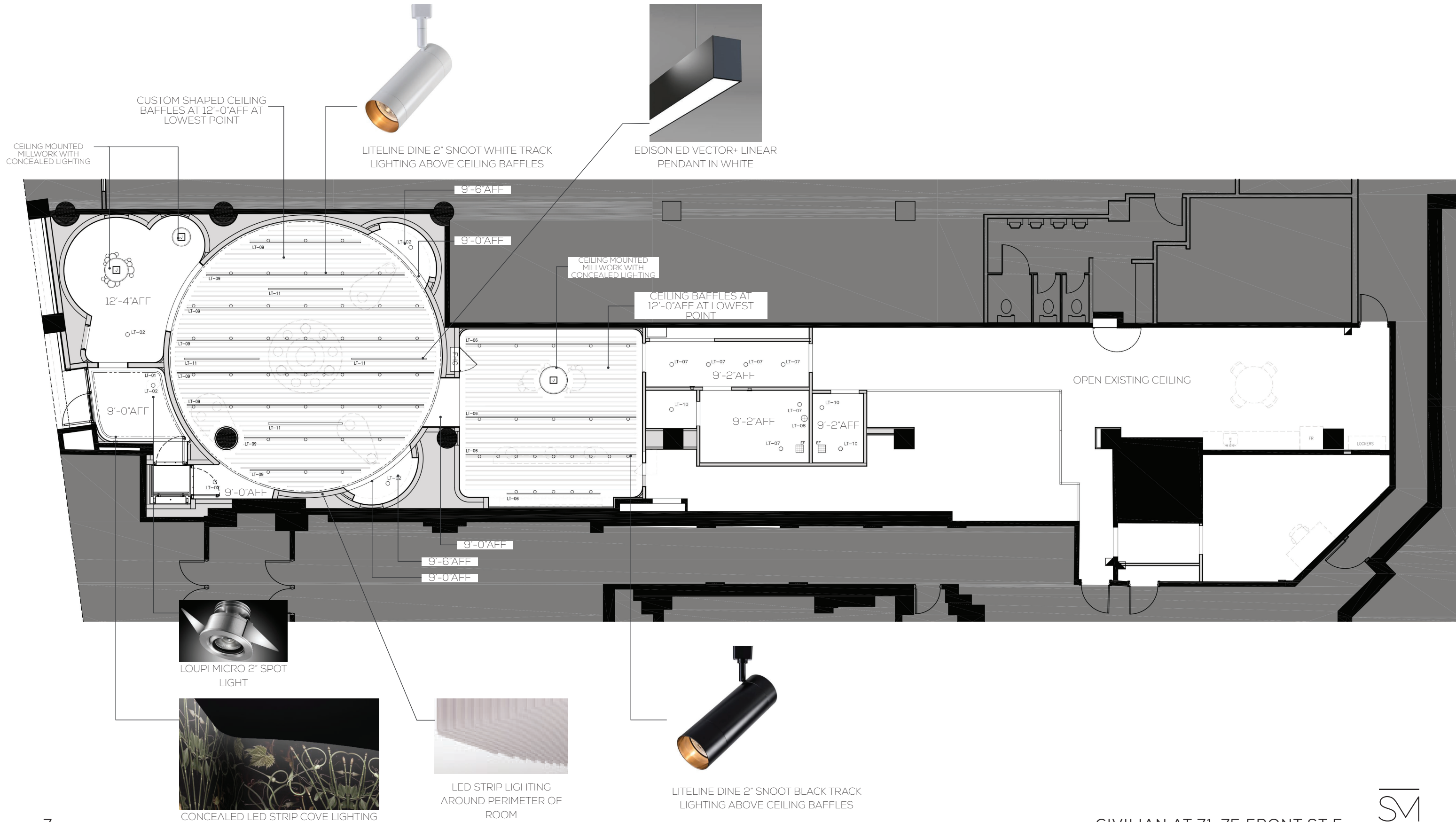


ARCHITECTURAL

THE PLANNING | PLAN LAYOUT

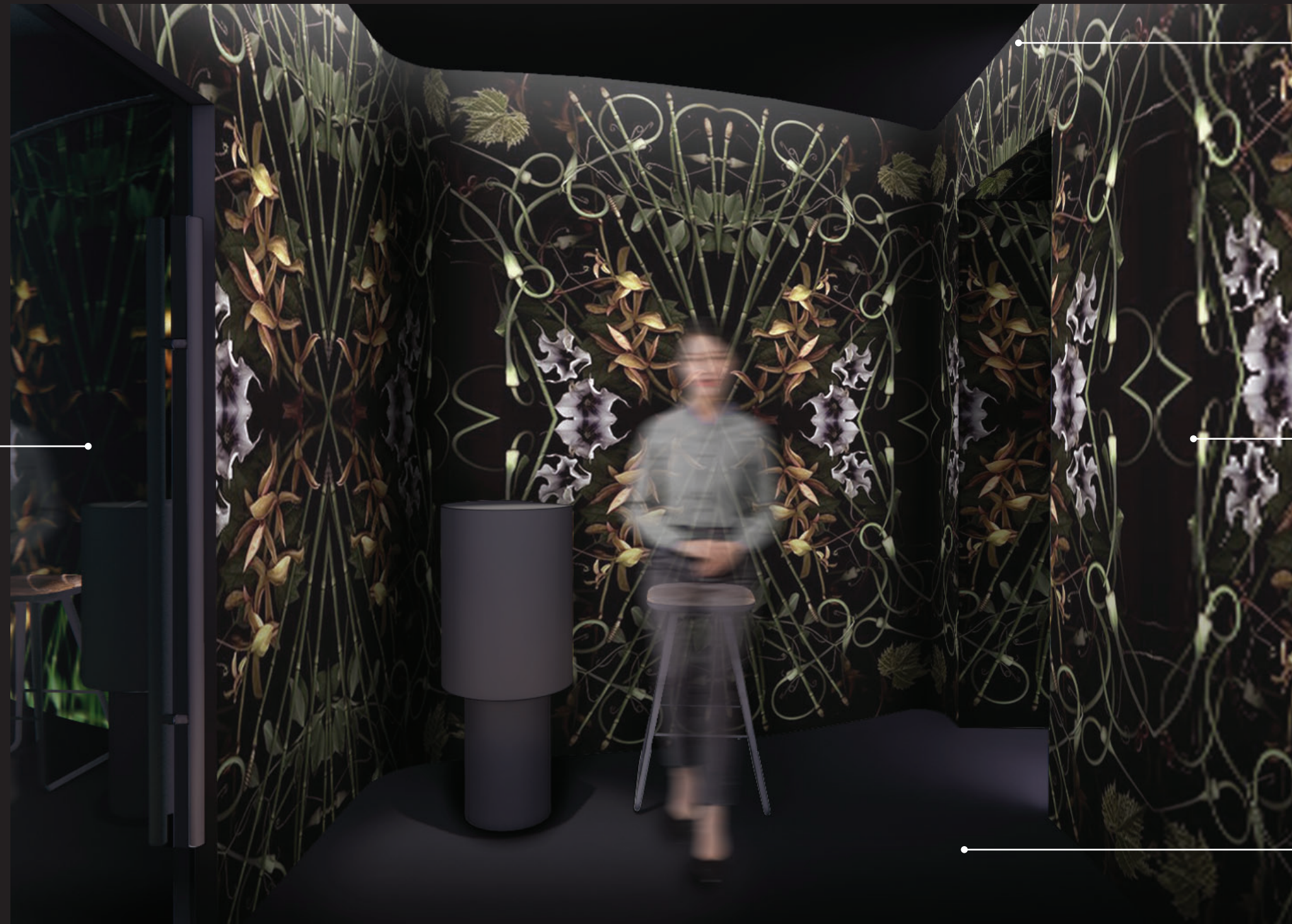


THE PLANNING | LIGHTING PLAN & CEILING LAYOUT









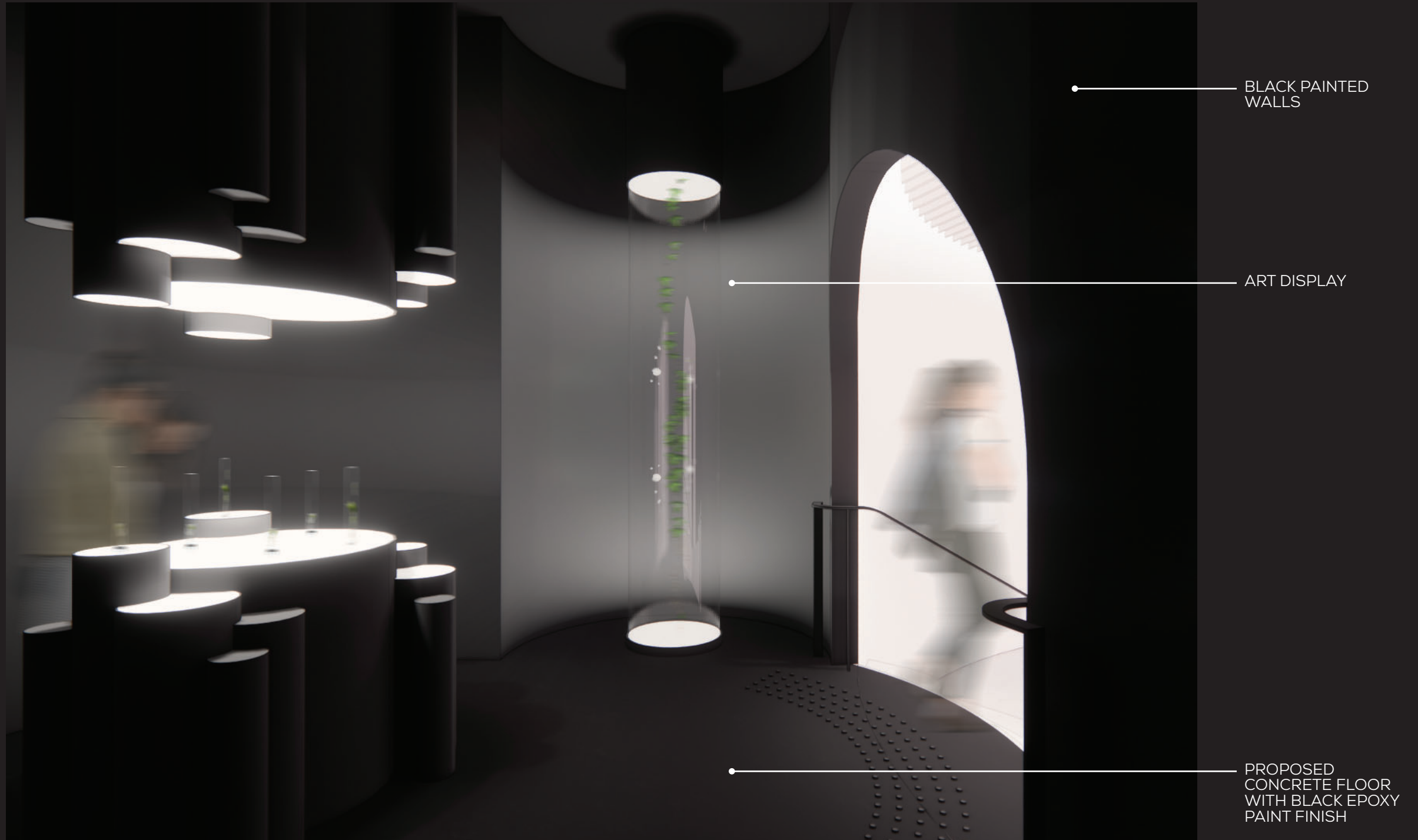
TINTED BLACK GLASS
DOOR INTO RETAIL
SPACE

COVE LIGHTING

FLORAL BRANDED
GRAPHICS
PRINTED ON VINYL
WALLCOVERING

PROPOSED
CONCRETE FLOOR
WITH BLACK EPOXY
PAINT FINISH

THE JOURNEY | PERSPECTIVE VIEW - ANTE ROOM



THE JOURNEY | PERSPECTIVE VIEW - ANTE ROOM TO MAIN RETAIL AREA



MATTE BLACK METAL
PORTAL AND HAND
RAIL

THE JOURNEY | PERSPECTIVE VIEW - MAIN RETAIL AREA



ARMSTRONG
CUSTOM SHAPED
ACOUSTIC CEILING
BAFFLES ON T-BAR
GRID SYSTEM

HANGING ART
SCULPTURE INSPIRED
BY CANNABIS
FLOWER

WHITE PAINTED
WALLS

EXPOSED CONCRETE
FLOOR

CONCRETE FORMED
STEPS WITH 1"
REVEAL

THE JOURNEY | PERSPECTIVE VIEW - MAIN RETAIL AREA



THE JOURNEY | PERSPECTIVE VIEW - SENSORY BAR ROOM

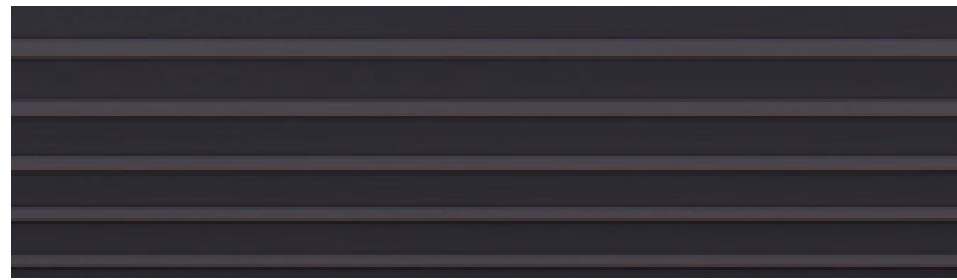
CONCEALED DOOR
INTO WASHROOM
AND BOH



ARMSTRONG
STANDARD BLACK
ACOUSTICAL CEILING
BAFFLES ON T-BAR
GRID SYSTEM

BRANDED ARTWORK

THE JOURNEY | PALETTE IMPRESSION



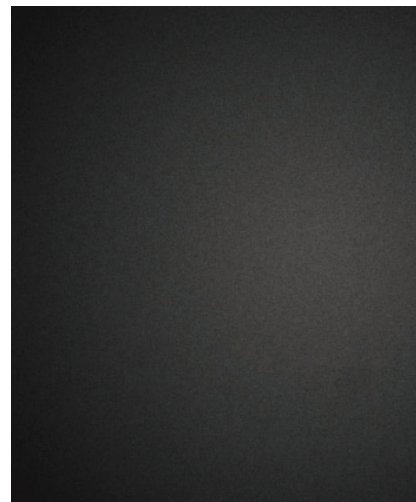
ARMSTRONG LINEAR BLACK
CEILING ACOUSTICAL BAFFLES



GOLD VELVET FOR ON
BAR STOOLS



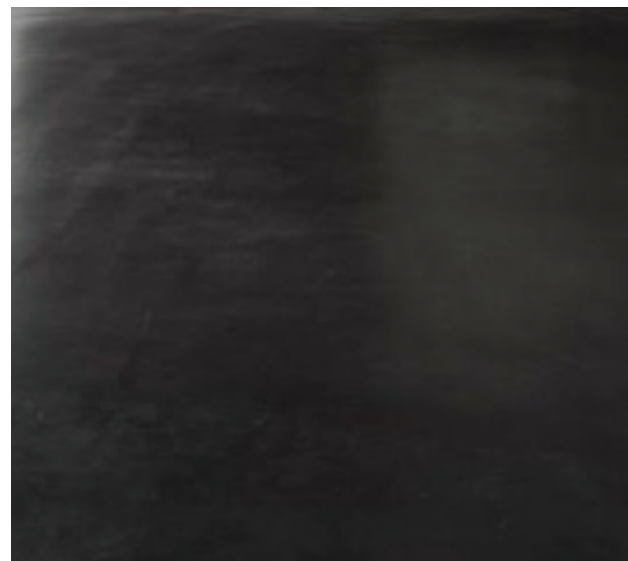
MATTE BLACK
METAL ACCENT



MATTE BLACK LAMINATE FINISH
FOR MILLWORK



FLORAL BRANDING
GRAPHICS ON VELVET
BAR STOOLS AND
ACCENT WALLS



BLACK EPOXY CONCRETE FLOOR



ARMSTRONG CUSTOM SHAPE WHITE
CEILING ACOUSTICAL BAFFLES



MATTE WHITE LAMINATE FINISH
FOR MILLWORK



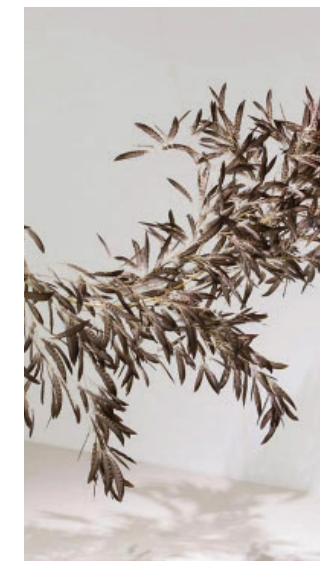
MIRROR
ACCENT



WHITE SUEDE
MILLWORK LINING



CONCRETE FLOOR FINISH



CANNABIS INSPIRED
ART INSTALLATION



ART & OBJECTS
ACRYLIC



ATELIER BALMAS
BRASS



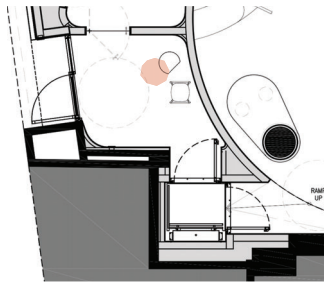
CREATOR OF OBJECTS
RESIN



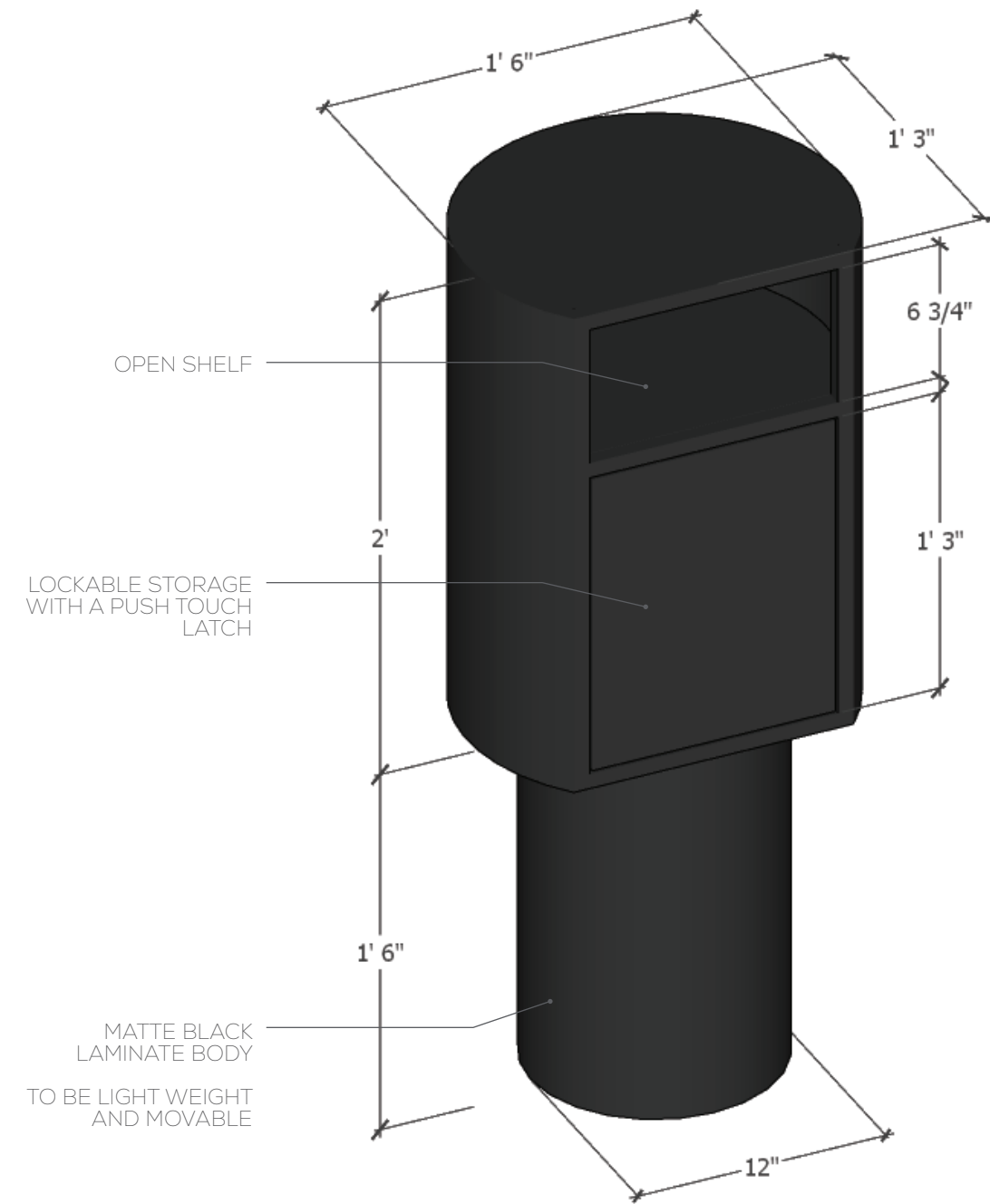
ROB BAYTOR
SCULPTED
METALLIC FINISH

MILLWORK DESIGN

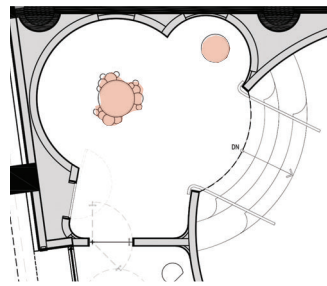
MILLWORK DESIGN | VESTIBULE HOST STAND



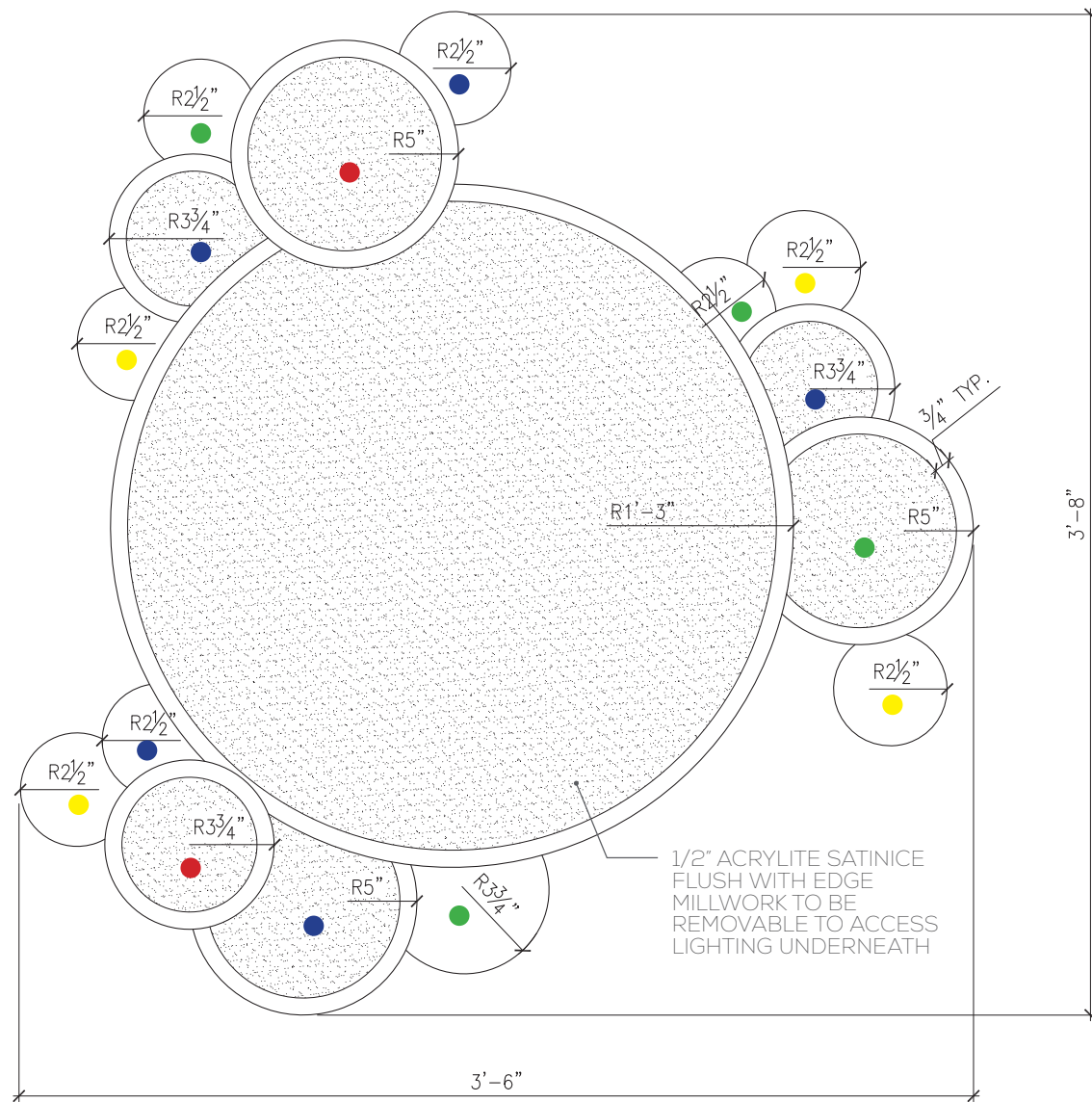
FRONT VIEW



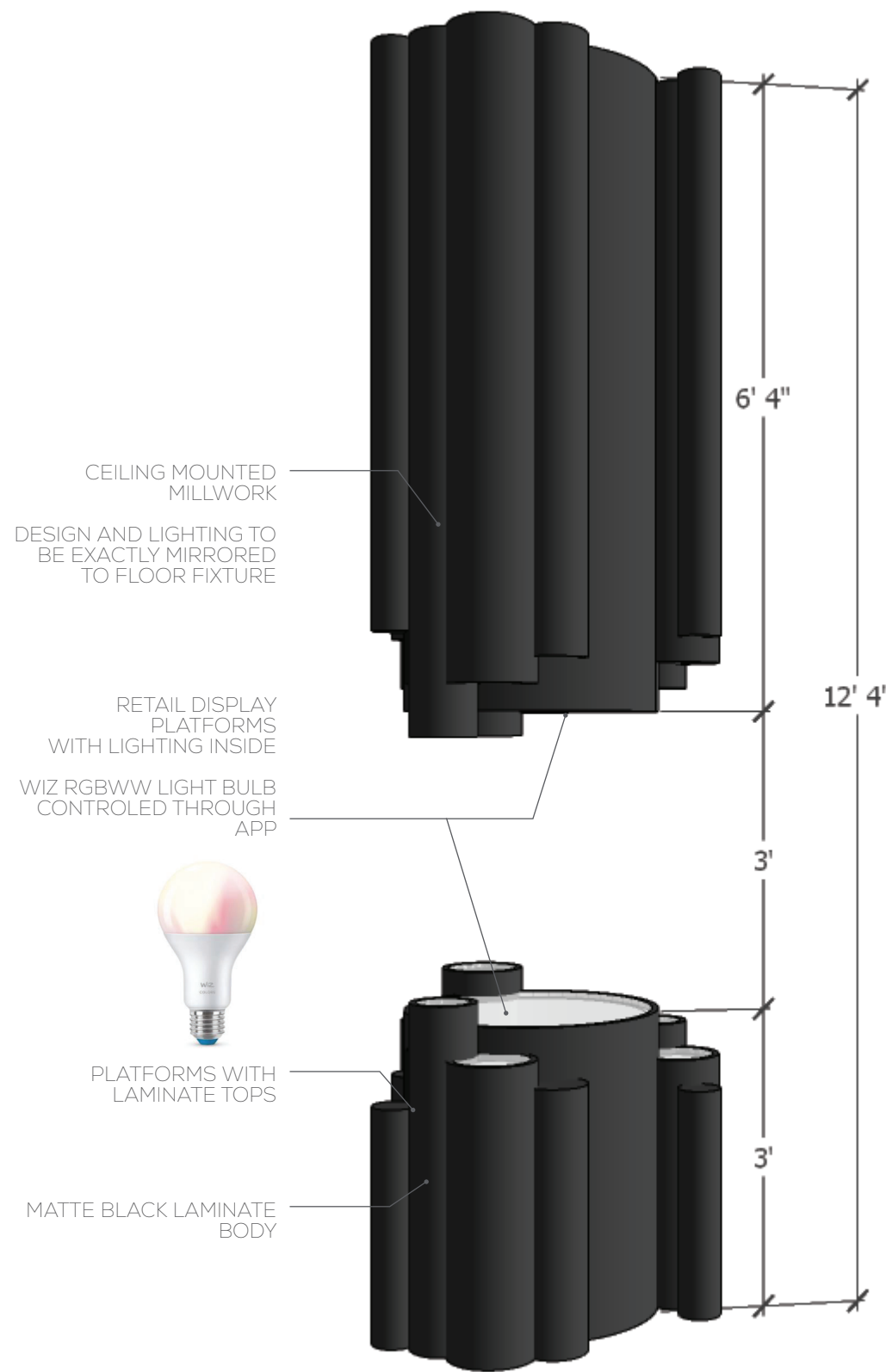
MILLWORK DESIGN | ANTE ROOM RETAIL DISPLAY FIXTURE AND ART DISPLAY FIXTURE



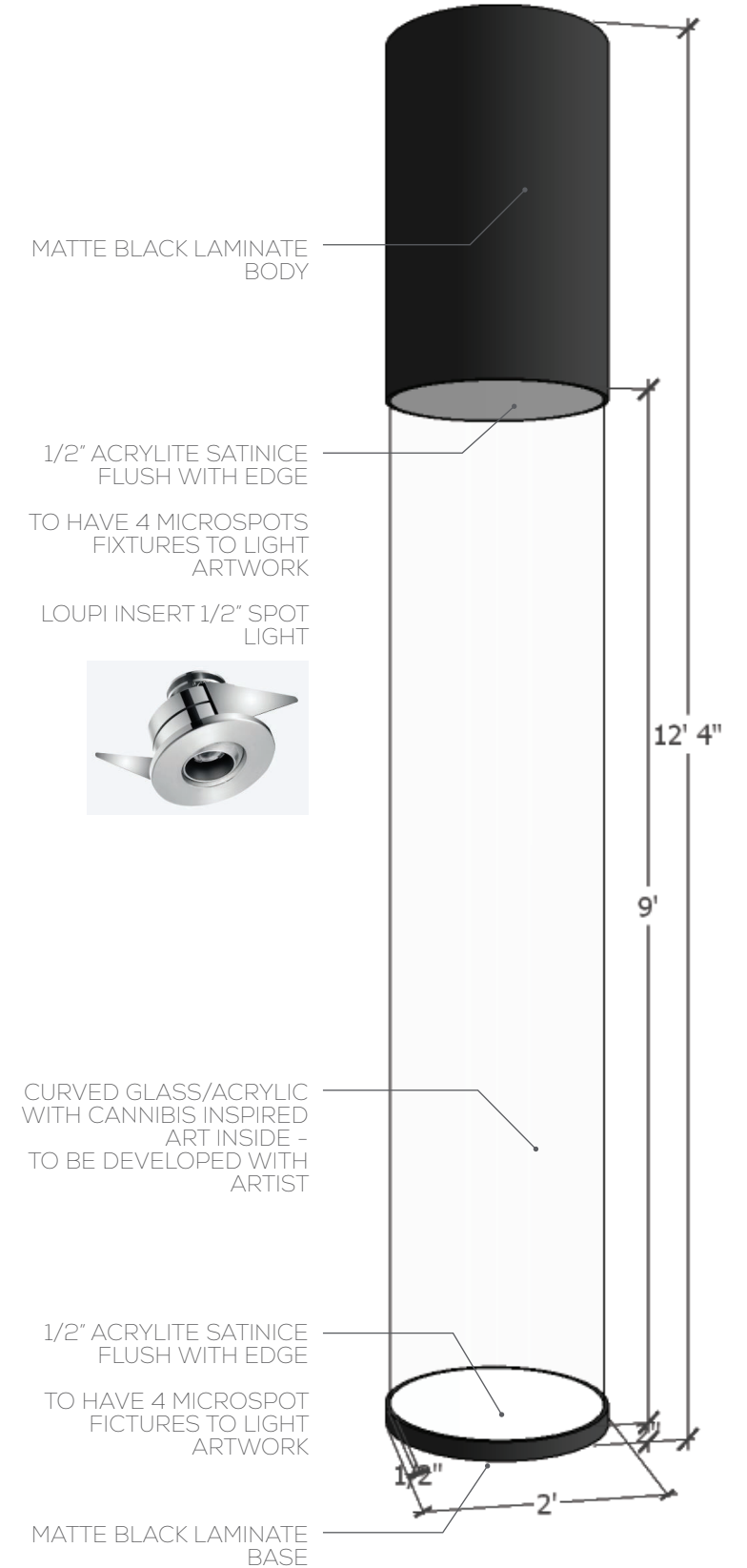
- PLATFORM HEIGHT INDICATION
- 3'-3"
 - 2'-9"
 - 2'-6"
 - 2'-3"



RETAIL DISPLAY PLAN



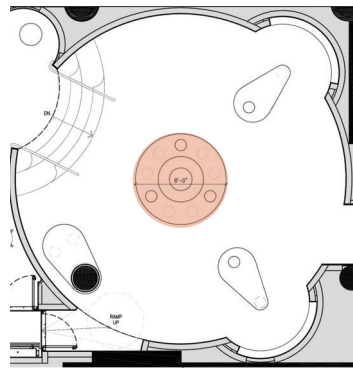
RETAIL DISPLAY



ART DISPLAY



MILLWORK DESIGN | MAIN RETAIL AREA CENTER DISPLAY FIXTURE



GLASS/ACRYLIC TOP AND SIDES. DISPLAY TO BE ACCESSIBLE THROUGH LOCKABLE DRAWER. TO BE FURTHER DEVELOPED WITH MILLWORKER

MATTE WHITE LAMINATE DISPLAY PLATFORMS INSIDE. MINI SPOTLIGHT FIXTURE TO BE DEVELOPED WITH MILLWORKER AND LIGHTING DESIGNER.

INTERIOR BOTTOM LINED WITH WHITE SUEDE

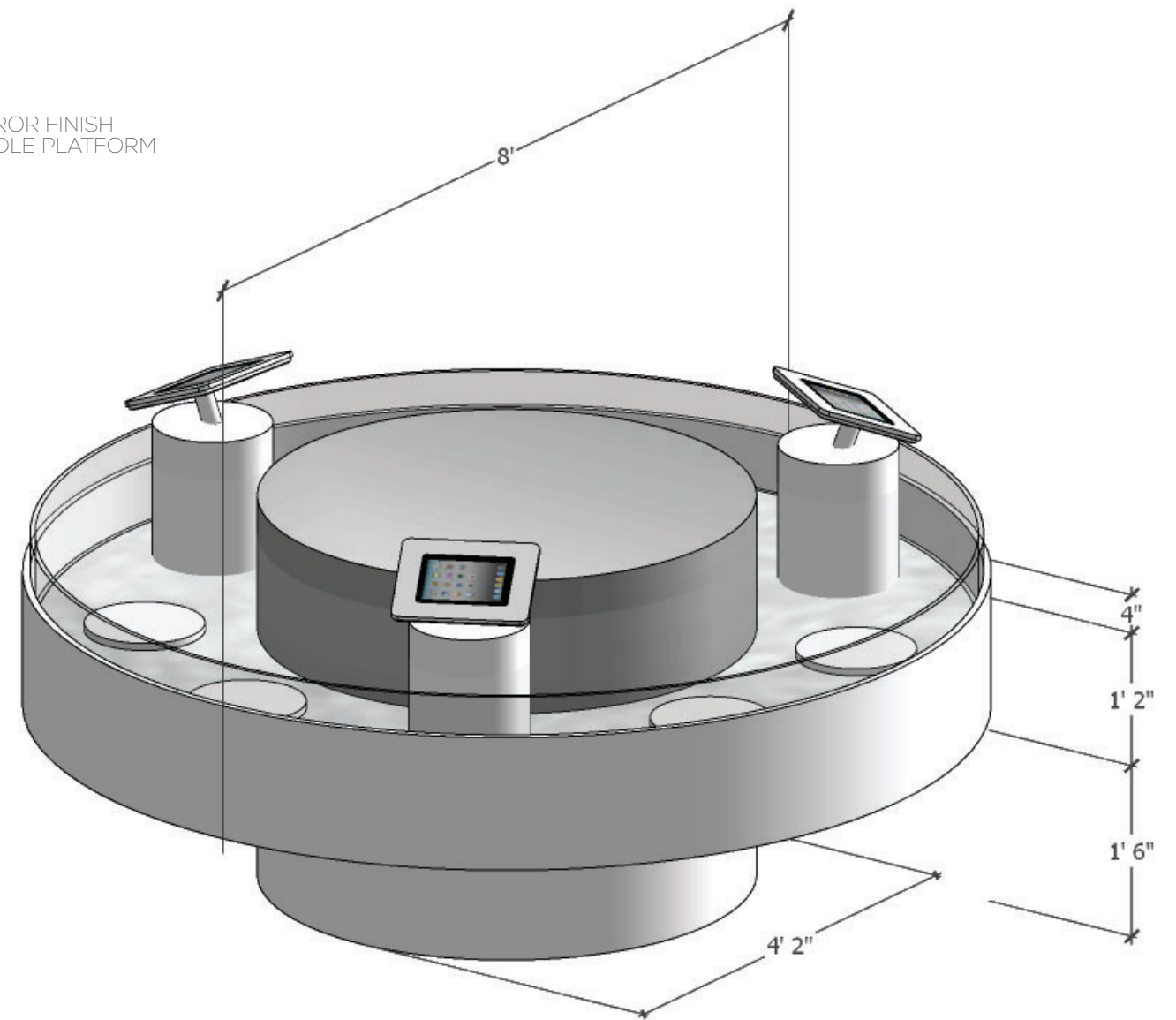
MATTE WHITE LAMINATE BODY AND BASE

MATTE WHITE LAMINATE PLATFORM WITH POWER FOR IPAD DISPLAYS

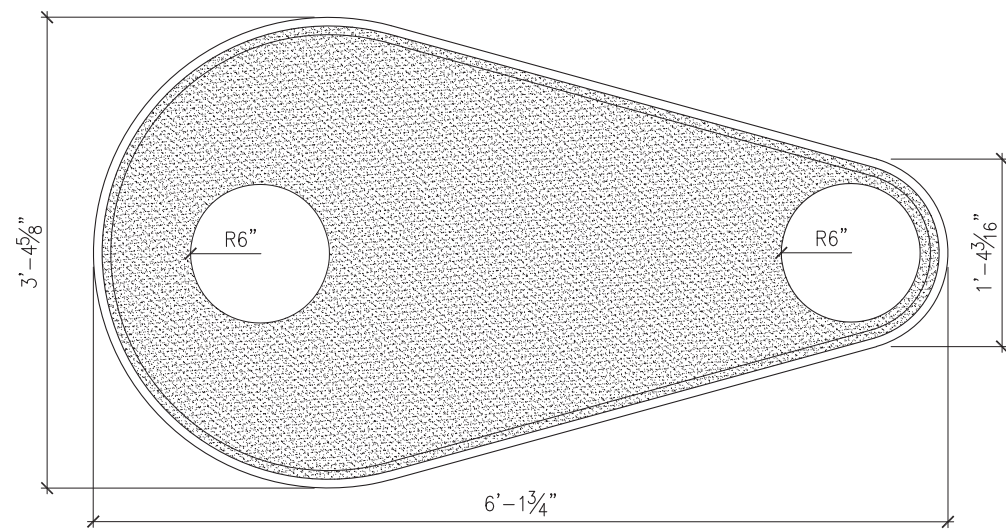
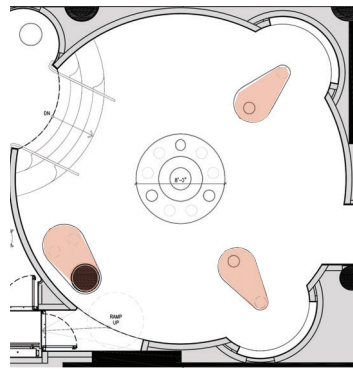
CONCEALED LIGHTING UNDERNEATH TO CREATE SOFT GLOW BELOW



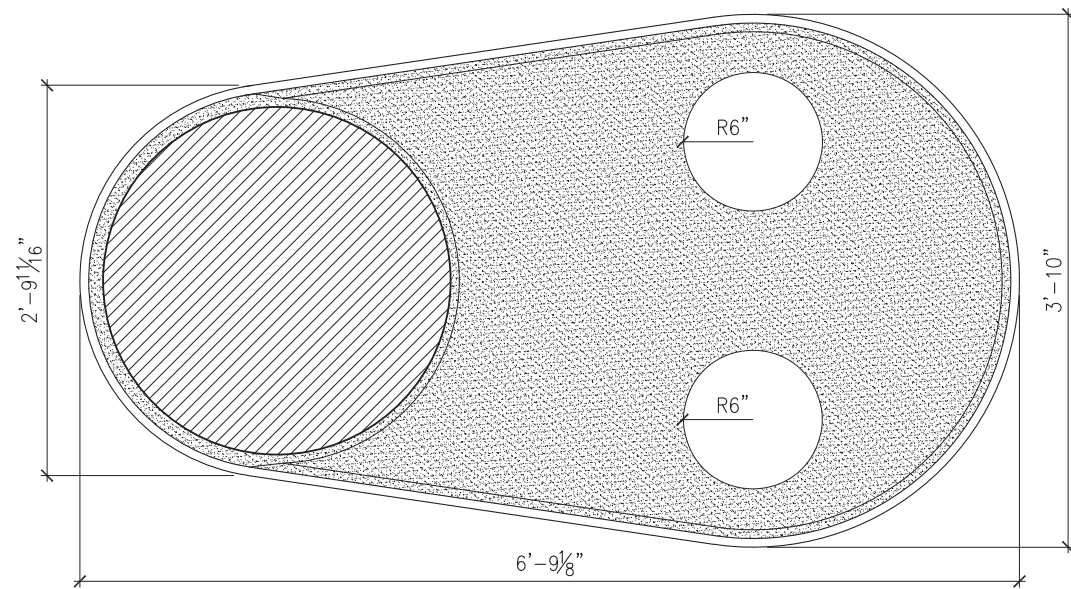
MIRROR FINISH MIDDLE PLATFORM



MILLWORK DESIGN | MAIN RETAIL AREA FLOOR DISPLAY FIXTURES



FLOOR RETAIL DISPLAY PLAN



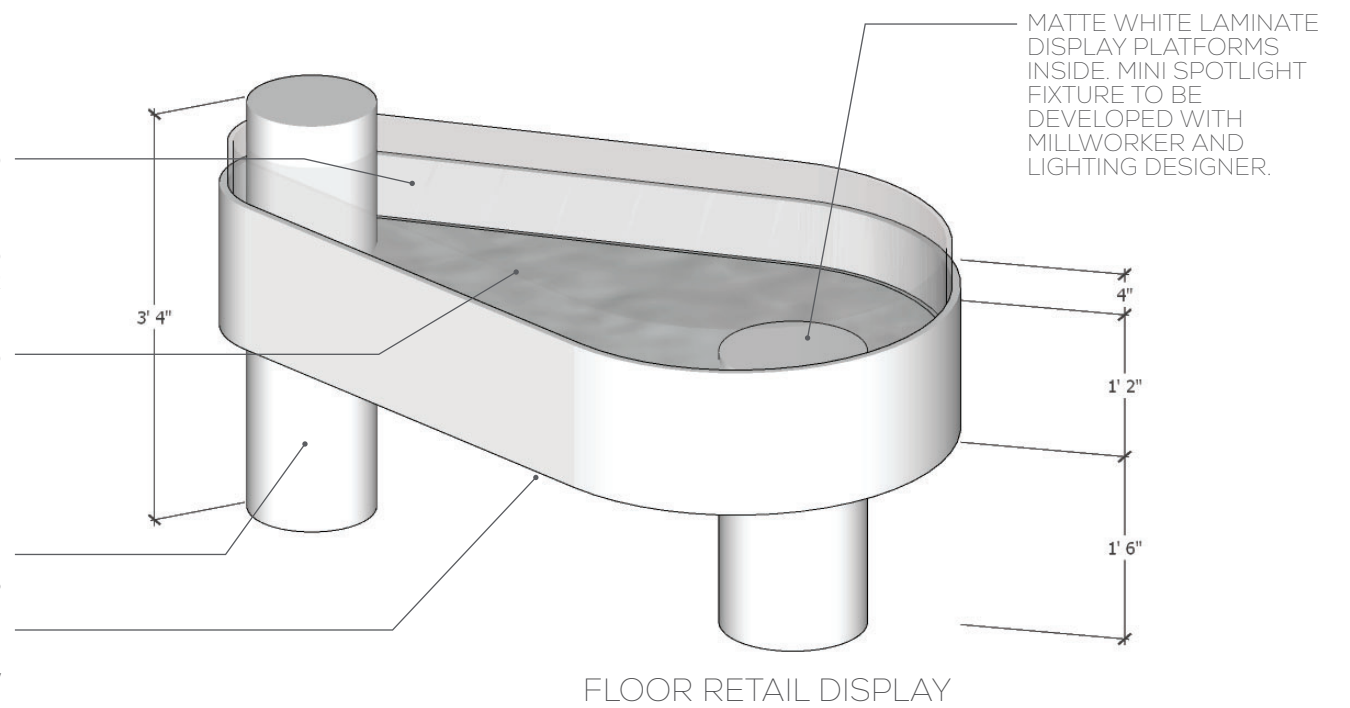
COLUMN RETAIL DISPLAY PLAN

GLASS/ACRYLIC TOP AND SIDES. DISPLAY TO BE ACCESSIBLE THROUGH LOCKABLE DRAWER. TO BE FURTHER DEVELOPED WITH MILLWORKER

INTERIOR BOTTOM LINED WITH WHITE SUEDE

MATTE WHITE LAMINATE BODY AND LEGS

CONCEALED LIGHTING UNDERNEATH TO CREATE SOFT GLOW BELOW



FLOOR RETAIL DISPLAY

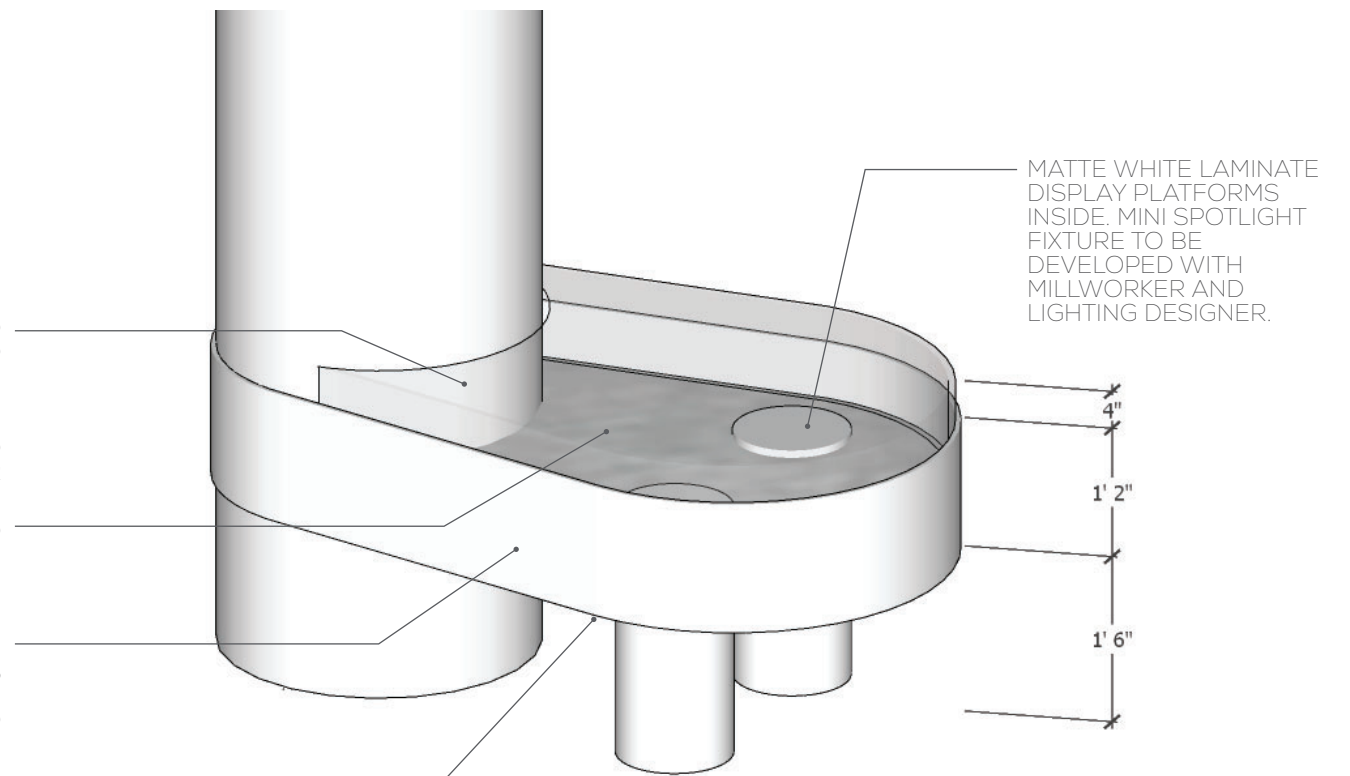
GLASS/ACRYLIC TOP AND SIDES - CUT AROUND COLUMN. DISPLAY TO BE ACCESSIBLE THROUGH LOCKABLE DRAWER. TO BE FURTHER DEVELOPED WITH MILLWORKER

INTERIOR BOTTOM LINED WITH WHITE SUEDE

MATTE WHITE LAMINATE BODY AND LEGS

BODY TO WRAP AROUND COLUMN

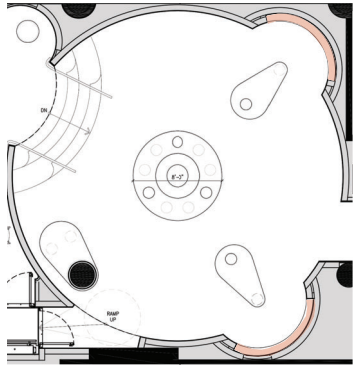
CONCEALED LIGHTING UNDERNEATH TO CREATE SOFT GLOW BELOW



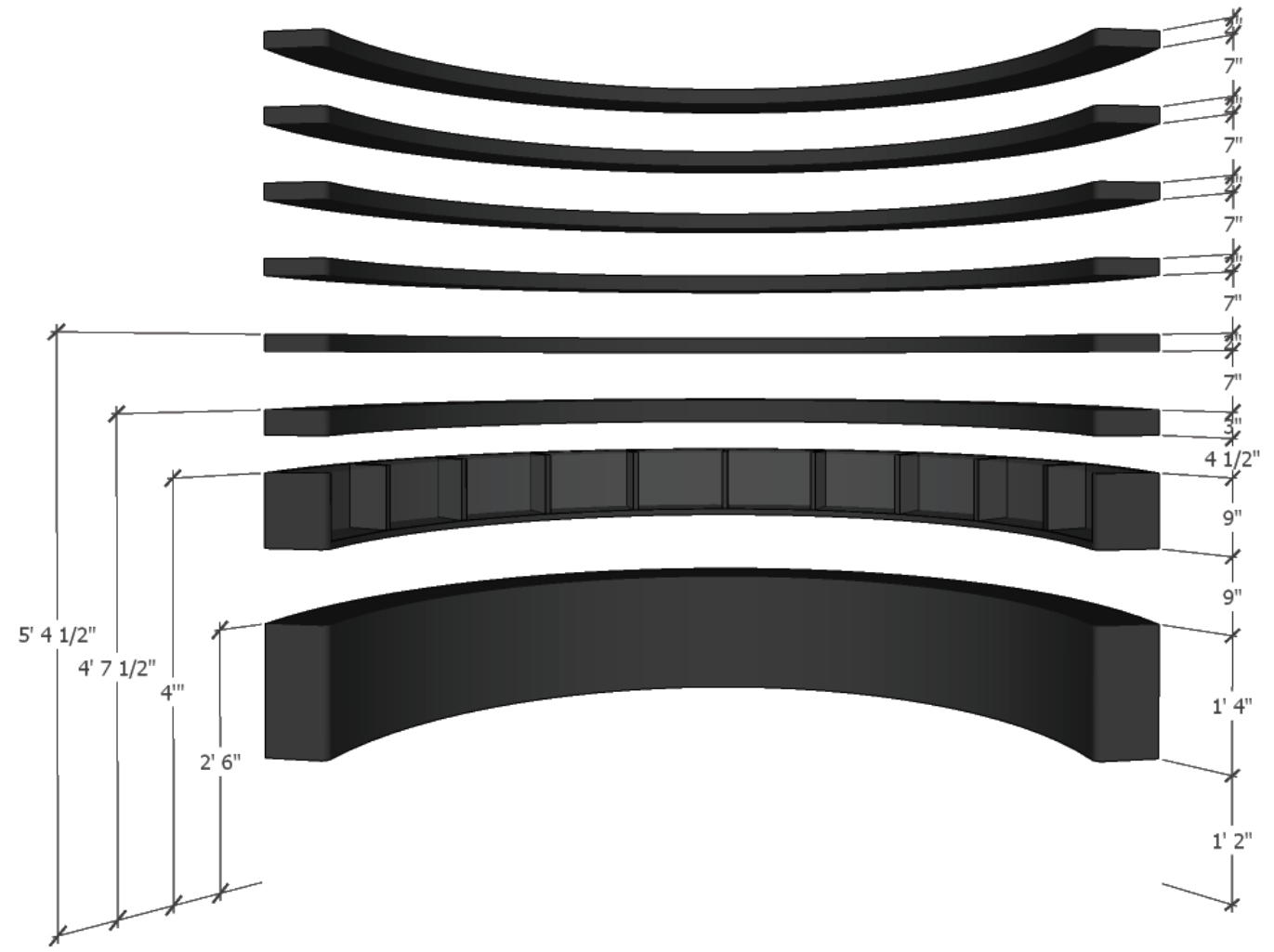
COLUMN RETAIL DISPLAY



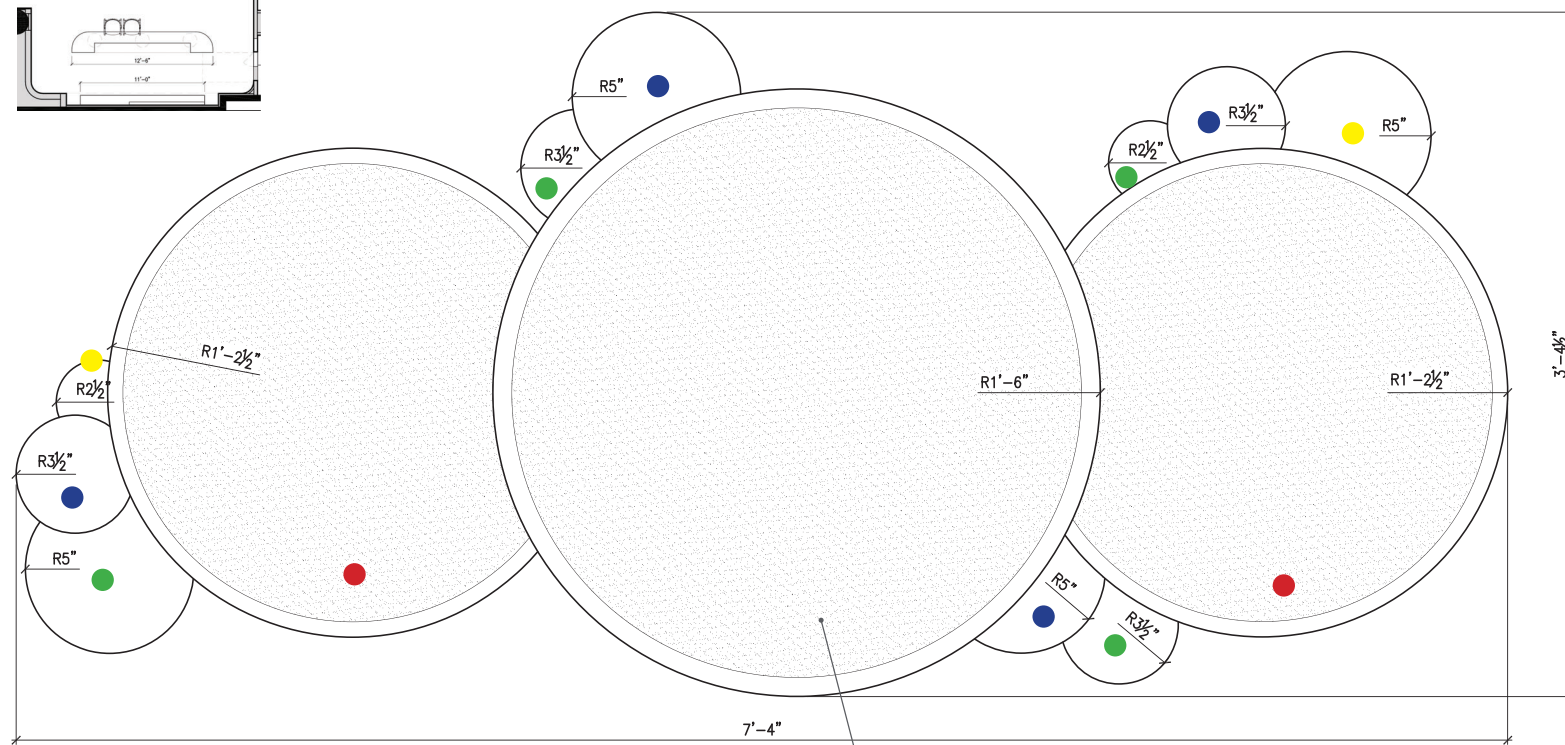
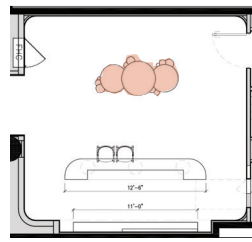
MILLWORK DESIGN | MAIN RETAIL AREA WALL SHELVING DISPLAY



- DISPLAY SHELF WITH INTEGRATED LED STRIP LIGHT
- FACETED GLASS DISPLAY WITH INTEGRATED LED STRIP LIGHT
- LOCK HARDWARE AND ACCESS TO BE DEVELOPED WITH MILLWORKER
- LOCKABLE STORAGE CABINET WITH INTEGRATED LED STRIP LIGHTING



MILLWORK DESIGN | SENSORY BAR RETAIL DISPLAY FIXTURE



- PLATFORM HEIGHT INDICATION
- 3'-0"
 - 2'-9"
 - 2'-6"
 - 2'-3"

1/2" ACRYLITE SATINICE FLUSH WITH EDGE MILLWORK TO BE REMOVABLE TO ACCESS LIGHTING UNDERNEATH

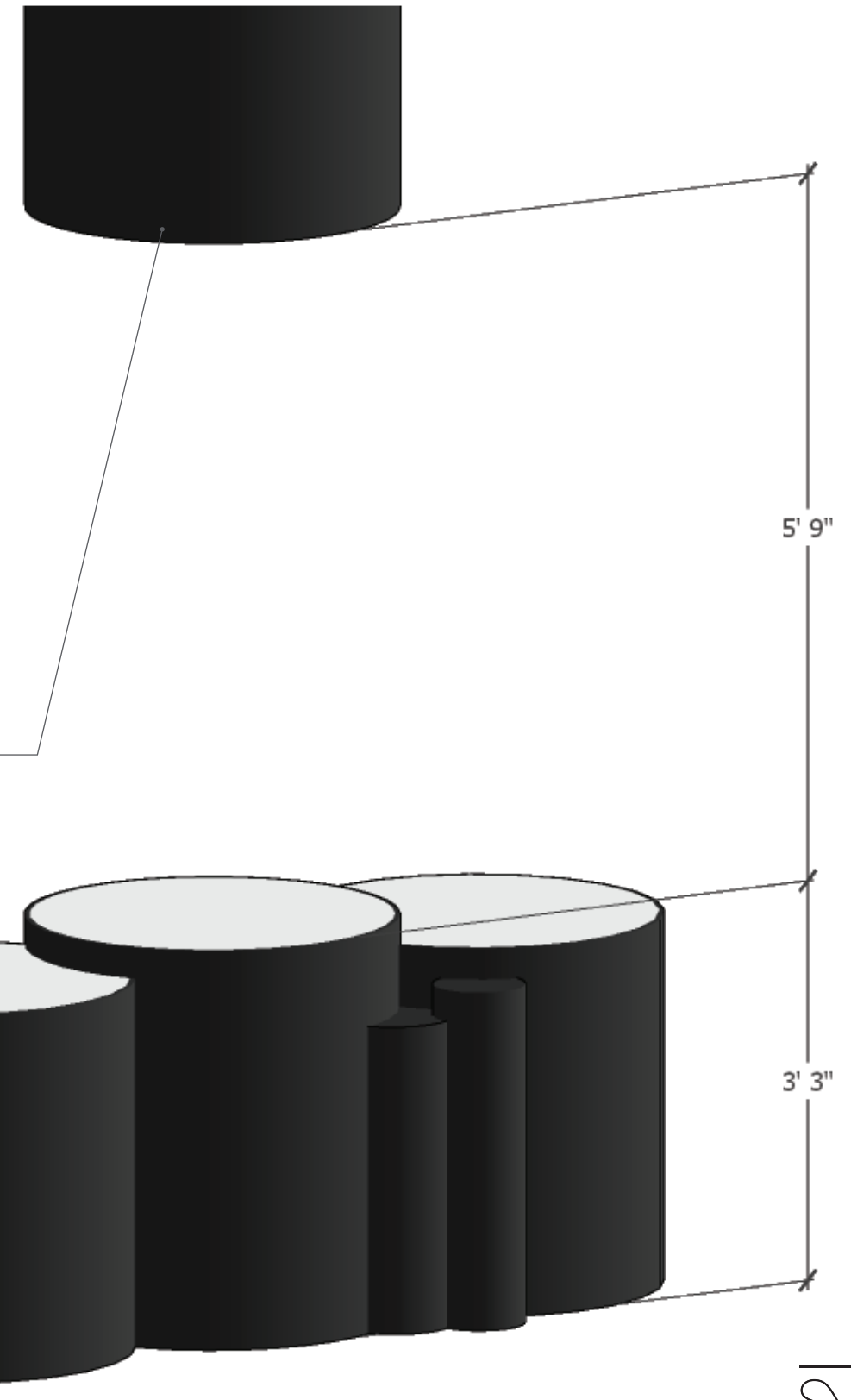
CEILING MOUNTED MILLWORK WITH LIGHTING



RETAIL DISPLAY PLATFORMS WITH LIGHTING INSIDE
WIZ RGBWW LIGHT BULB CONTROLLED THROUGH APP

PLATFORMS WITH LAMINATE TOPS

MATTE BLACK LAMINATE BODY



MILLWORK DESIGN | SENSORY BAR, BACK BAR, AND PASS-THROUGH WINDOW



TINTED GREEN GLASS
PASS-THROUGH WINDOW
INTO VAULT

HINGED GLASS DOOR TO
BE LOCKABLE

LOCK HARDWARE AND
ACCESS TO BE DEVELOPED
WITH MILLWORKER

BAR AND BACK BAR TO HAVE THE SAME STORAGE AND LIGHTING DETAILS AS
QUEEN ST EAST LOCATION - TO BE FURTHER DEVELOPED WITH CLIENT

OVERALL BAR LENGTH IS 12'-6"

OVERALL BACK BAR LENGTH IS 11'-0"

THANK YOU

