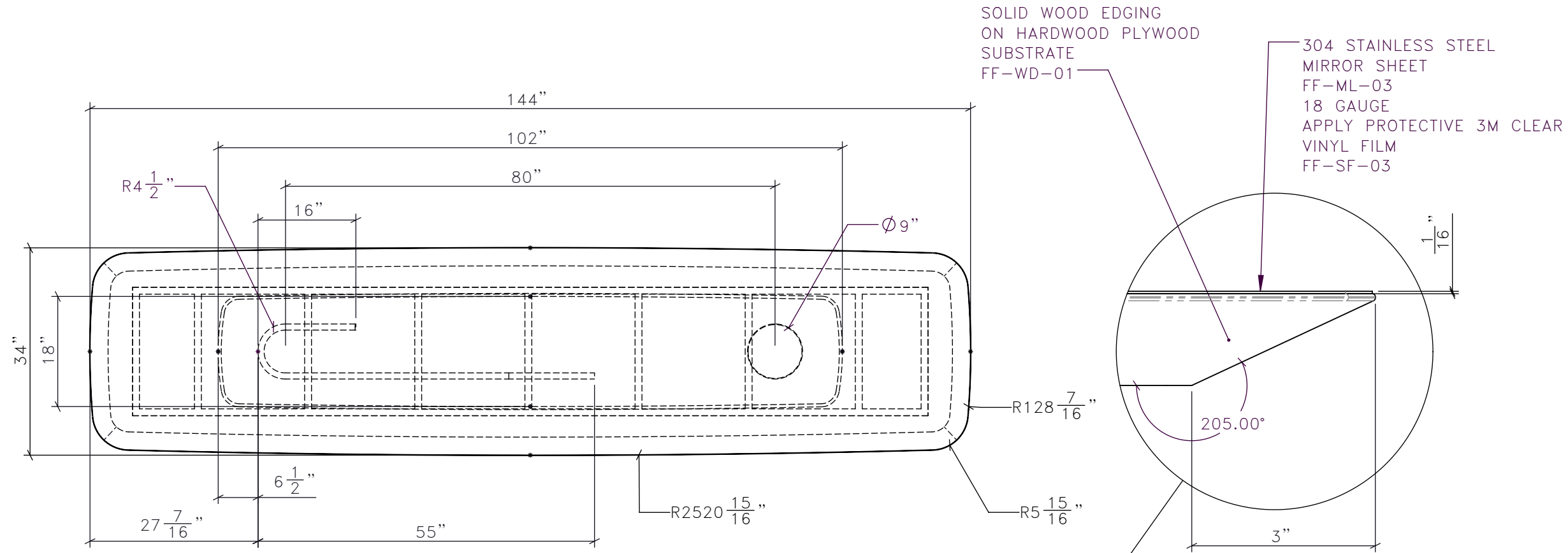


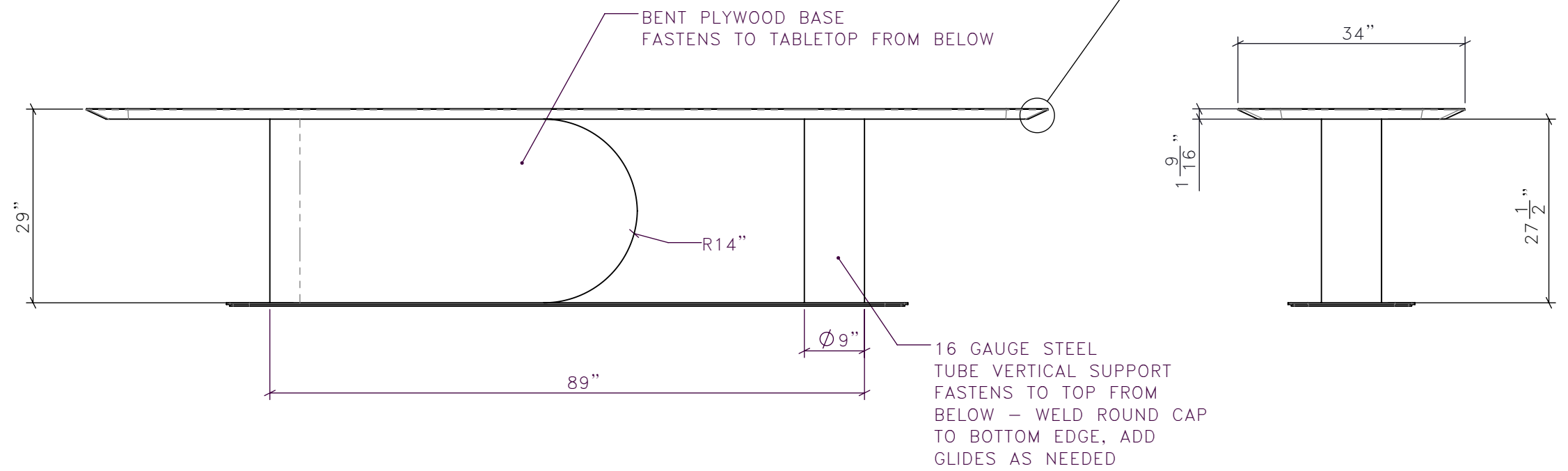
FOR DESIGN INTENT ONLY

DRAWING ARE NOT TO BE SCALED. CONTRACTOR MUST CHECK AND VERIFY ALL JOB DIMENSIONS, DRAWINGS, DETAILS AND SPECIFICATIONS; AND REPORT ANY DISCREPANCIES TO DESIGNER BEFORE PROCEEDING WITH WORK.

-REV/	-ISSUED FOR	-DATE



1 CG-14 1:20 **LARGE PDR TABLE**
PLAN - HIDDEN LINES VISIBLE



2 CG-14 1:20 **LARGE PDR TABLE**
FRONT ELEVATION

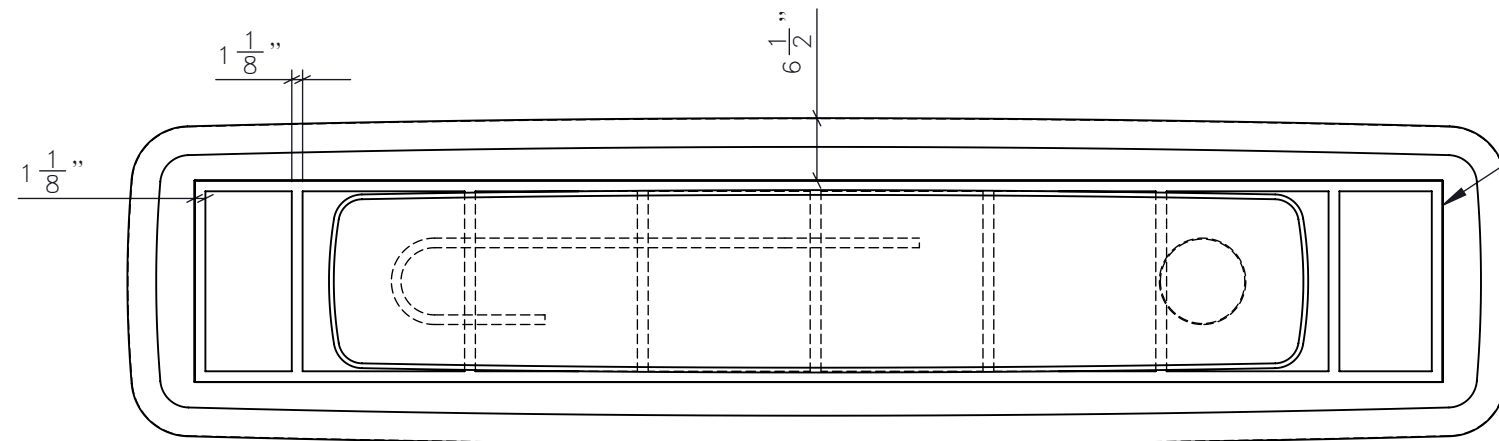
3 CG-14 1:20 **LARGE PDR TABLE**
SIDE ELEVATION

ADD COUNTERWEIGHT FOR STABILITY AS NEEDED

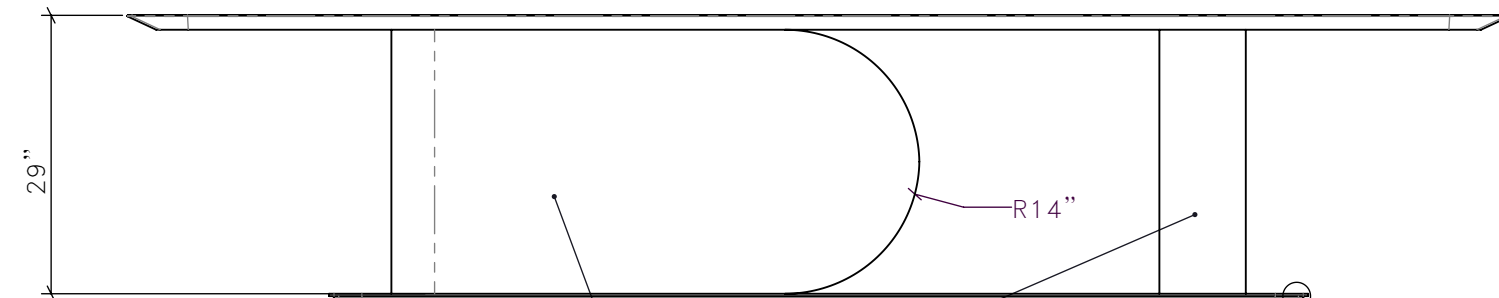
STUDIO MUNGE
25 WINGOLD AVENUE
TORONTO, ONTARIO
M6B 1P8 CANADA
416.588.1668
STUDIOMUNGE.COM

-SCALE AS NOTED	-DATE 12/4/17
-DRAWN BY AM	-CHECKED BY
-PROJECT NAME 99 YORKVILLE RESTAURANT	
-DRAWING TITLE CG-14 PDR TABLE 2	
-PROJECT NUMBER 16139	
-DRAWING NUMBER 1 / 4	

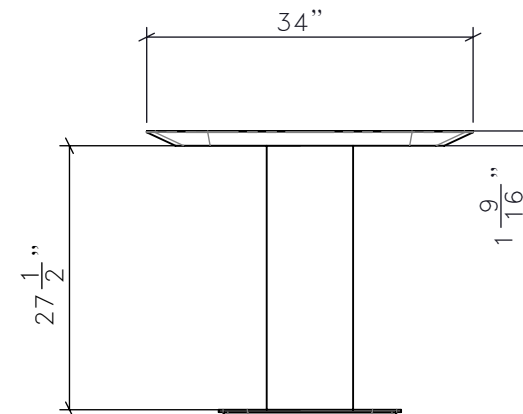
REV	ISSUED FOR	DATE



4 CG-14
1:20 **LARGE PDR TABLE
PLAN**

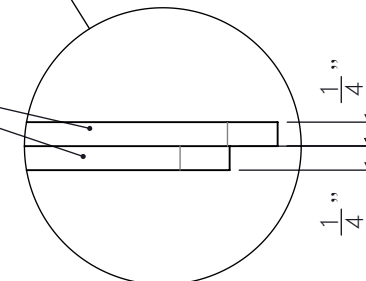


2 CG-14
1:20 **LARGE PDR TABLE
FRONT ELEVATION**



3 CG-14
1:20 **LARGE PDR TABLE
SIDE ELEVATION**

METAL PLATE
TO MATCH CHROME
FINISH



DETAIL F
SCALE 1 : 2

**STUDIO
MUNGE**
25 WINGOLD AVENUE
TORONTO, ONTARIO
M6B 1P8 CANADA
416.588.1668
STUDIOMUNGE.COM

-SCALE
AS NOTED

-DATE
12/4/17

-DRAWN BY
AM

-CHECKED BY

-PROJECT NAME

99 YORKVILLE RESTAURANT

-DRAWING TITLE

CG-14
PDR TABLE 2

-PROJECT NUMBER
16139

-DRAWING NUMBER
2 / 4

STUDIO MUNGE

FOR DESIGN INTENT ONLY

DRAWING ARE NOT TO BE SCALED. CONTRACTOR MUST CHECK AND VERIFY ALL JOB DIMENSIONS, DRAWINGS, DETAILS AND SPECIFICATIONS; AND REPORT ANY DISCREPANCIES TO DESIGNER BEFORE PROCEEDING WITH WORK.

-REV/	-ISSUED FOR	-DATE

STUDIO MUNGE
 25 WINGOLD AVENUE
 TORONTO, ONTARIO
 M6B 1P8 CANADA
 416.588.1668
 STUDIOMUNGE.COM

-SCALE AS NOTED	-DATE 12/4/17
-DRAWN BY AM	-CHECKED BY
-PROJECT NAME	
99 YORKVILLE RESTAURANT	
-DRAWING TITLE	
CG-14 PDR TABLE 2	
-PROJECT NUMBER 16139	
-DRAWING NUMBER 3 / 4	

SOLID WOOD EDGING
ON HARDWOOD PLYWOOD
SUBSTRATE
FF-WD-01

304 STAINLESS STEEL
MIRROR SHEET
18 GAUGE
FF-ML-03
APPLY PROTECTIVE 3M CLEAR
VINYL FILM
FF-SF-03

16 GAUGE STEEL
TUBE VERTICAL SUPPORT
FASTENS TO TOP FROM
BELOW - WELD ROUND CAP
TO BOTTOM EDGE, ADD
GLIDES AS NEEDED

ADD COUNTERWEIGHT FOR
STABILITY AS NEEDED

5 | CG-14 | **LARGE PDR TABLE**
1:20 | **ISOMETRIC**

BENT PLYWOOD BASE
FASTENS TO TABLETOP FROM BELOW

304 STAINLESS STEEL
MIRROR SHEET
18 GAUGE
FF-ML-03
APPLY PROTECTIVE 3M CLEAR
VINYL FILM
FF-SF-03

BENT PLYWOOD BASE
FASTENS TO TABLETOP FROM BELOW

4 | CG-14 | **LARGE PDR TABLE**
1:20 | **ISOMETRIC**

16 GAUGE STEEL
TUBE VERTICAL SUPPORT
FASTENS TO TOP FROM
BELOW - WELD ROUND CAP
TO BOTTOM EDGE, ADD
GLIDES AS NEEDED

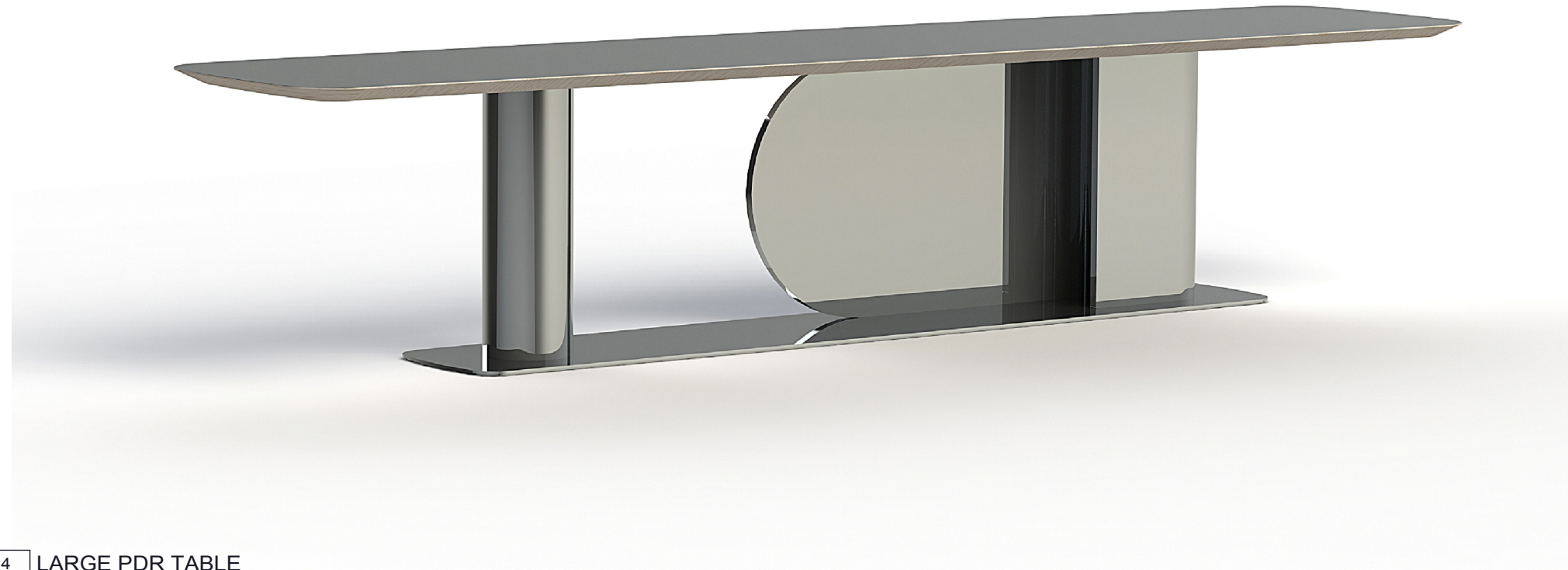
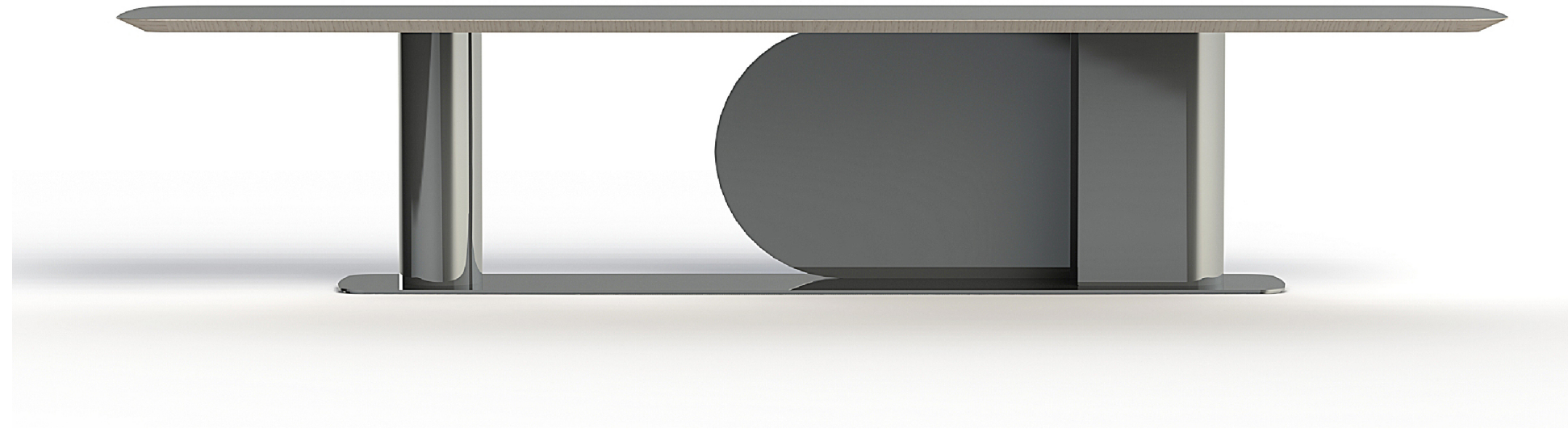
ADD COUNTERWEIGHT FOR
STABILITY AS NEEDED

STUDIO MUNGE
E
D
C
B
A
Y

FOR DESIGN INTENT ONLY

DRAWING ARE NOT TO BE SCALED. CONTRACTOR MUST CHECK AND VERIFY ALL JOB DIMENSIONS, DRAWINGS, DETAILS AND SPECIFICATIONS; AND REPORT ANY DISCREPANCIES TO DESIGNER BEFORE PROCEEDING WITH WORK.

-REV/	-ISSUED FOR	-DATE



STUDIO MUNGE
25 WINGOLD AVENUE
TORONTO, ONTARIO
M6B 1P8 CANADA
416.588.1668
STUDIOMUNGE.COM

-SCALE
AS NOTED

-DATE
12/4/17

-DRAWN BY
AM

-CHECKED BY

-PROJECT NAME

99 YORKVILLE RESTAURANT

-DRAWING TITLE

CG-14
LARGE PDR TABLE

-PROJECT NUMBER
16139

-DRAWING NUMBER
4 / 4

6 | CG-14 | LARGE PDR TABLE
NTS | | RENDERED VIEW