

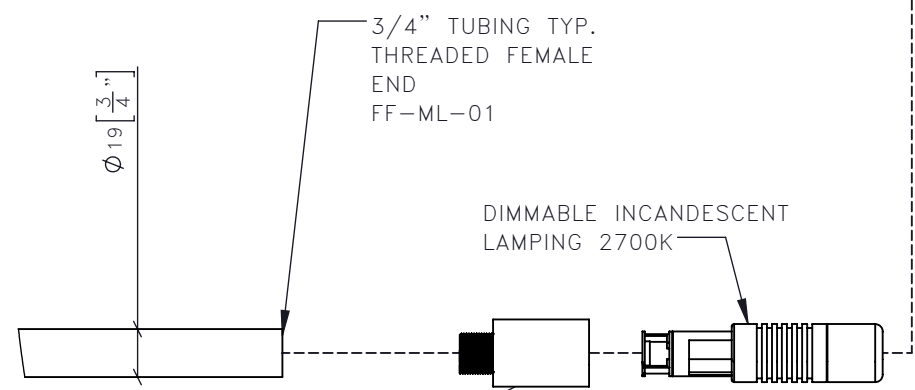
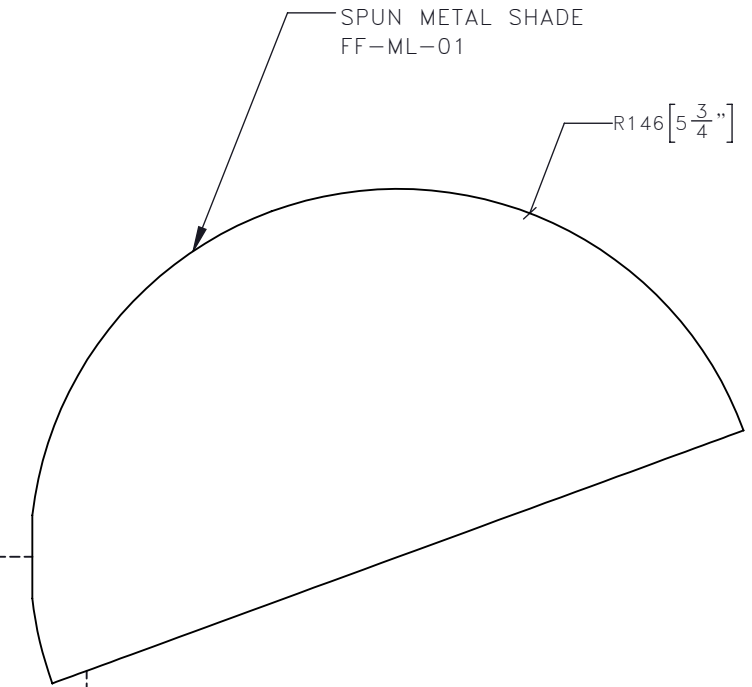
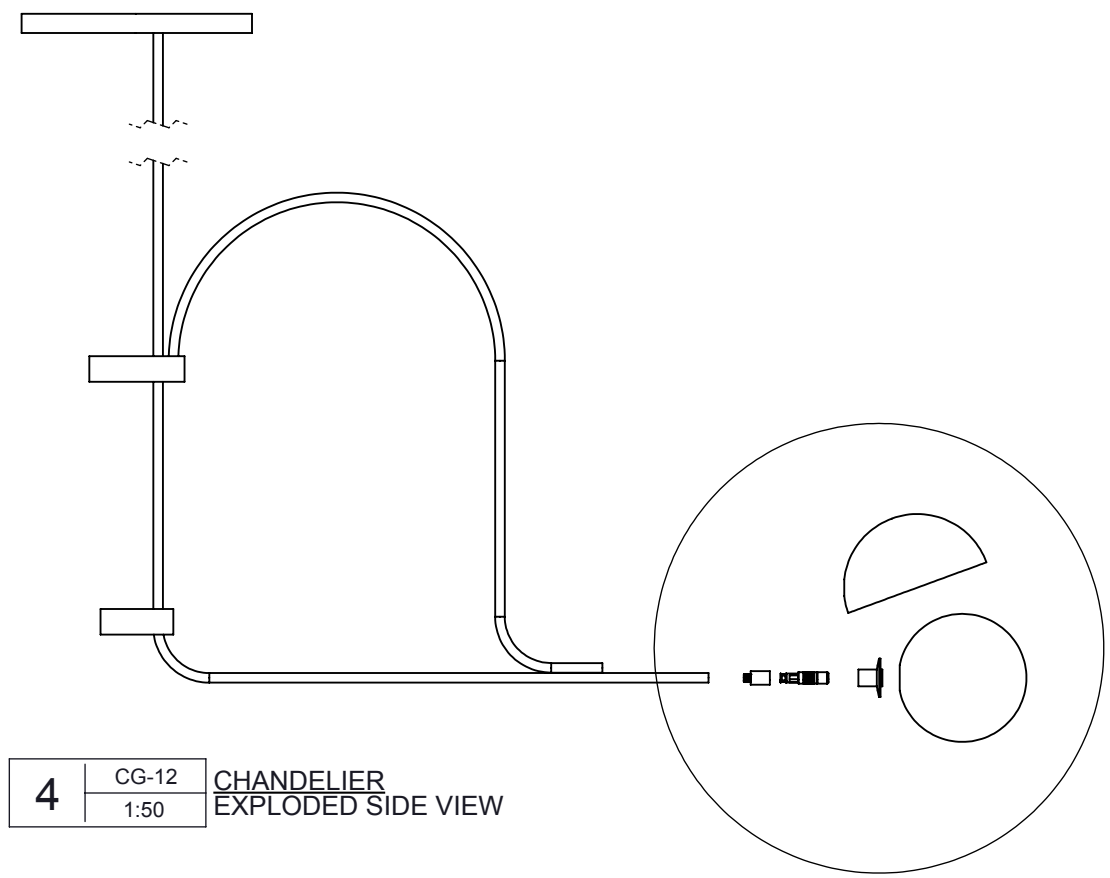
STUDIO MUNGE

FOR DESIGN INTENT ONLY

DRAWING ARE NOT TO BE SCALED. CONTRACTOR MUST CHECK AND VERIFY ALL JOB DIMENSIONS, DRAWINGS, DETAILS AND SPECIFICATIONS; AND REPORT ANY DISCREPANCIES TO DESIGNER BEFORE PROCEEDING WITH WORK.

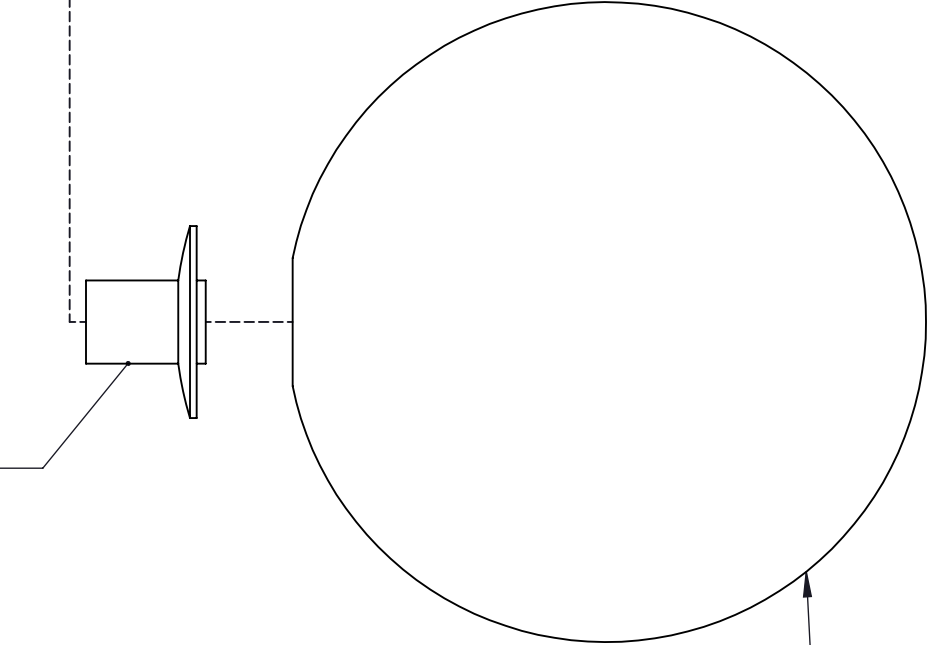
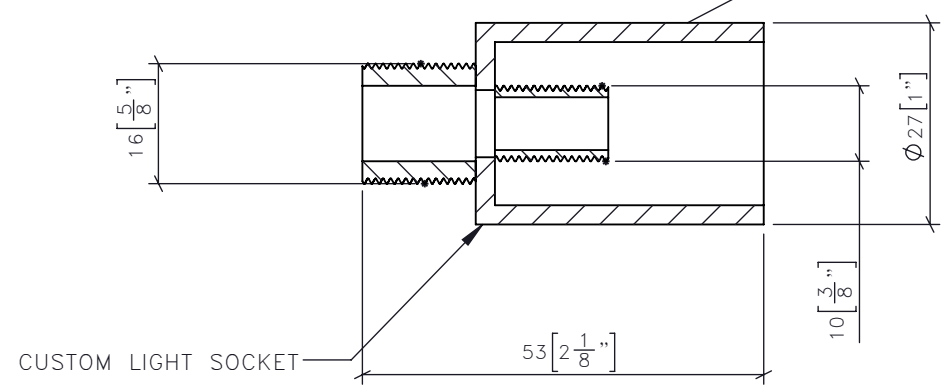
-REV/	-ISSUED FOR	-DATE

4 CG-12
1:50 CHANDELIER
EXPLODED SIDE VIEW



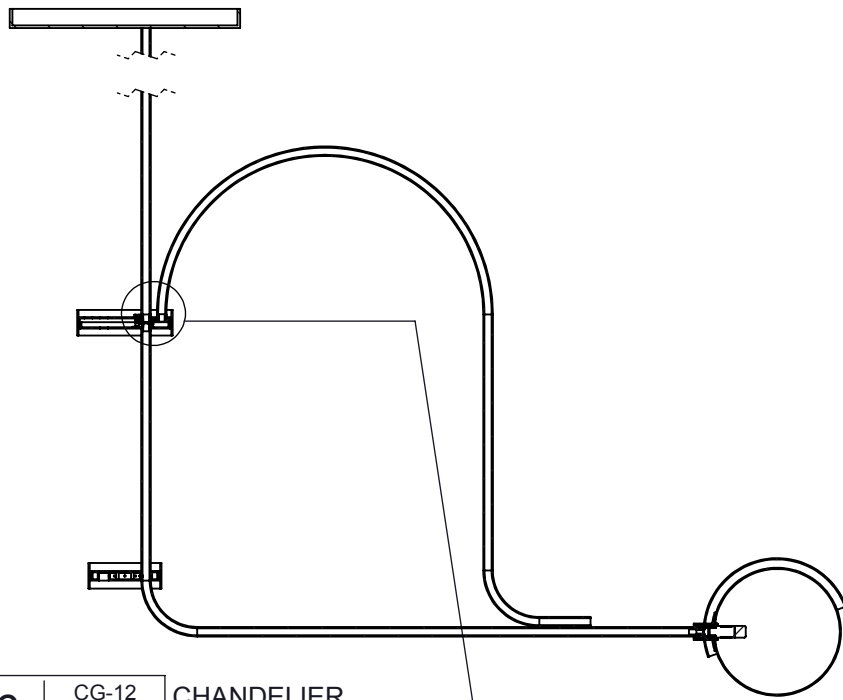
HARDWARE TO BE GLUED TO 10" GLOBE

5 CG-12
1:50 CHANDELIER
EXPLODED LIGHT ASSEMBLY

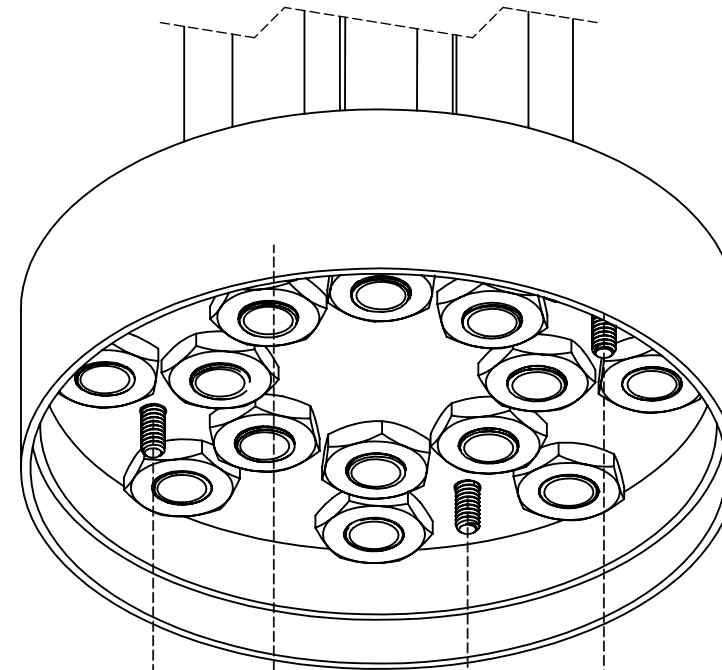


STUDIO MUNGE
25 WINGOLD AVENUE
TORONTO, ONTARIO
M6B 1P8 CANADA
416.588.1668
STUDIOMUNGE.COM

-SCALE AS NOTED	-DATE 5/30/18
-DRAWN BY RC	-CHECKED BY
-PROJECT NAME 20 WELLINGTON	
-DRAWING TITLE CG-12 CHANDELIER	
-PROJECT NUMBER 17132	
-DRAWING NUMBER 2 / 7	

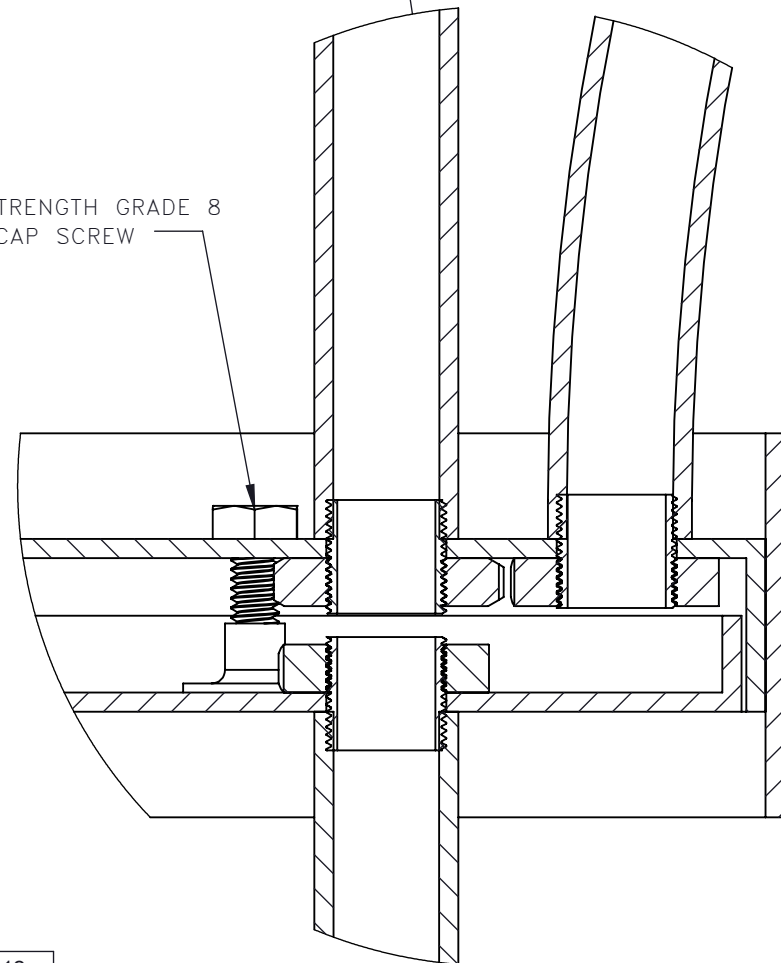


6 CG-12 CHANDELIER SECTION VIEW 1:2



TOP OF CHANDELIER AND BOTTOM ARE PREBUILT AND COME TOGETHER DURING ASSEMBLY

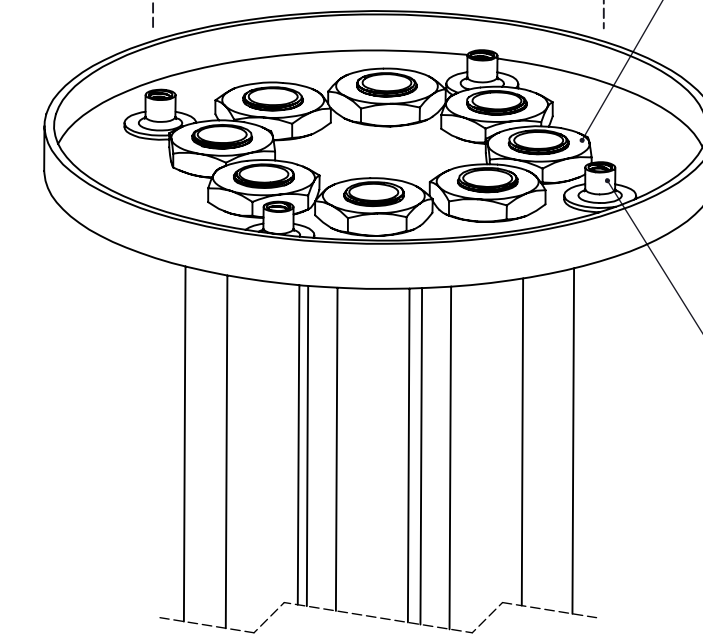
HIGH STRENGTH GRADE 8 STEEL CAP SCREW



.625in-18 THREAD NUT

WELD NUT

7 CG-12 CHANDELIER SECTION DETAILED VIEW 1:2



8 CG-12 CHANDELIER SECTION DETAILED VIEW 1:2

-REV/	-ISSUED FOR	-DATE

STUDIO MUNGE
 25 WINGOLD AVENUE
 TORONTO, ONTARIO
 M6B 1P8 CANADA
 416.588.1668
 STUDIOMUNGE.COM

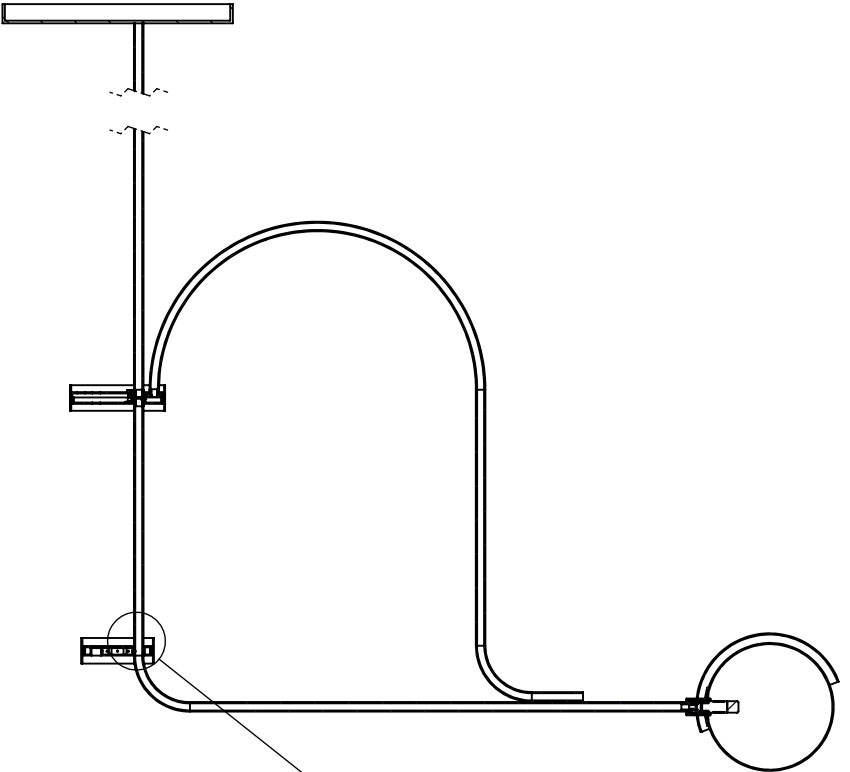
-SCALE AS NOTED	-DATE 5/30/18
-DRAWN BY RC	-CHECKED BY
-PROJECT NAME 20 WELLINGTON	
-DRAWING TITLE CG-12 CHANDELIER	
-PROJECT NUMBER 17132	
-DRAWING NUMBER 3 / 7	

STUDIO MUNGE

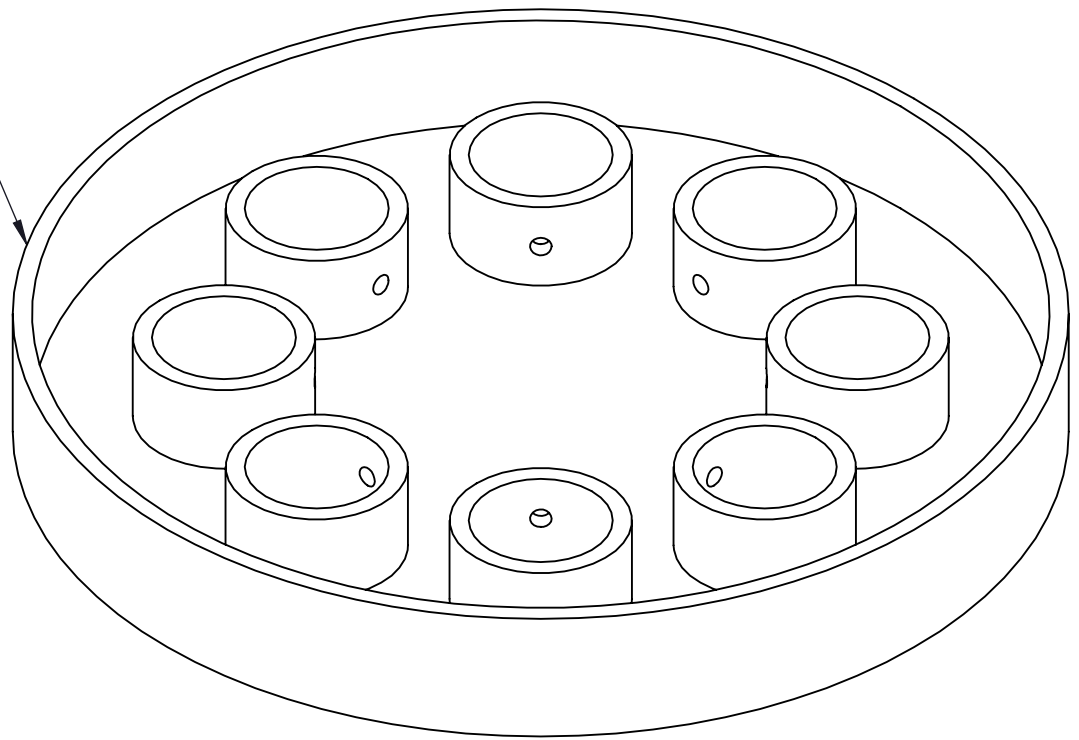
FOR DESIGN INTENT ONLY

DRAWING ARE NOT TO BE SCALED. CONTRACTOR MUST CHECK AND VERIFY ALL JOB DIMENSIONS, DRAWINGS, DETAILS AND SPECIFICATIONS; AND REPORT ANY DISCREPANCIES TO DESIGNER BEFORE PROCEEDING WITH WORK.

-REV/	-ISSUED FOR	-DATE



FF-ML-01

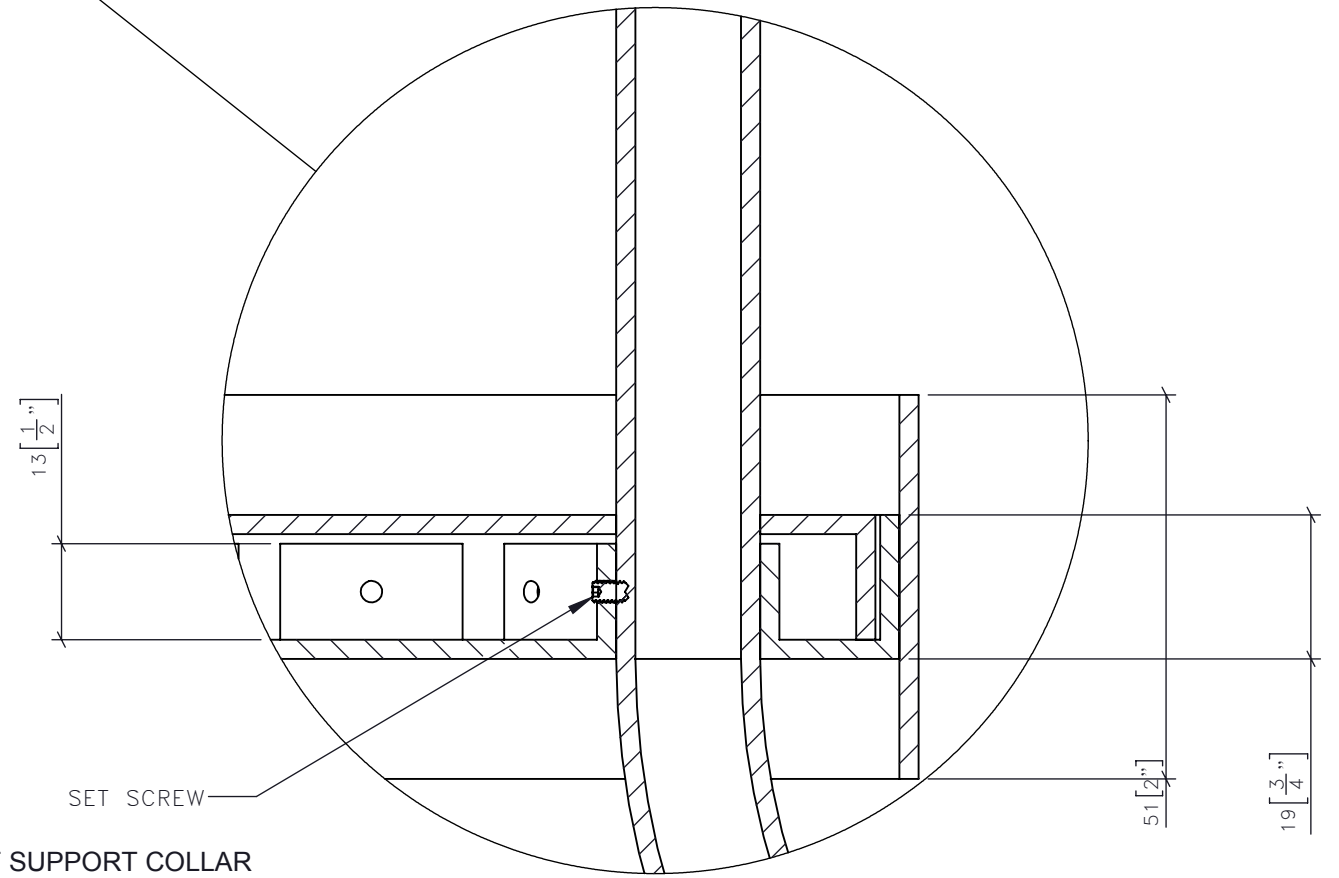


9 CG-12
1:2 CHANDELIER
SECTION J-J

11 CG-12
1:2 BOTTOM SUPPORT COLLAR
ISOMETRIC VIEW

NOTE: SUPPORT COLLAR TO PROVIDE ADDED SUPPORT FOR PIPES

SET SCREWS TO BE USED TO AVOID SLIPPING



13 [1/2]

51 [2]

19 [3/4]

SET SCREW

10 CG-12
1:2 CHANDELIER
DETAIL SECTION VIEW OF SUPPORT COLLAR

STUDIO MUNGE
25 WINGOLD AVENUE
TORONTO, ONTARIO
M6B 1P8 CANADA
416.588.1668
STUDIOMUNGE.COM

-SCALE
AS NOTED

-DATE
5/30/18

-DRAWN BY
RC

-CHECKED BY

-PROJECT NAME

20 WELLINGTON

-DRAWING TITLE

CG-12
CHANDELIER

-PROJECT NUMBER
17132

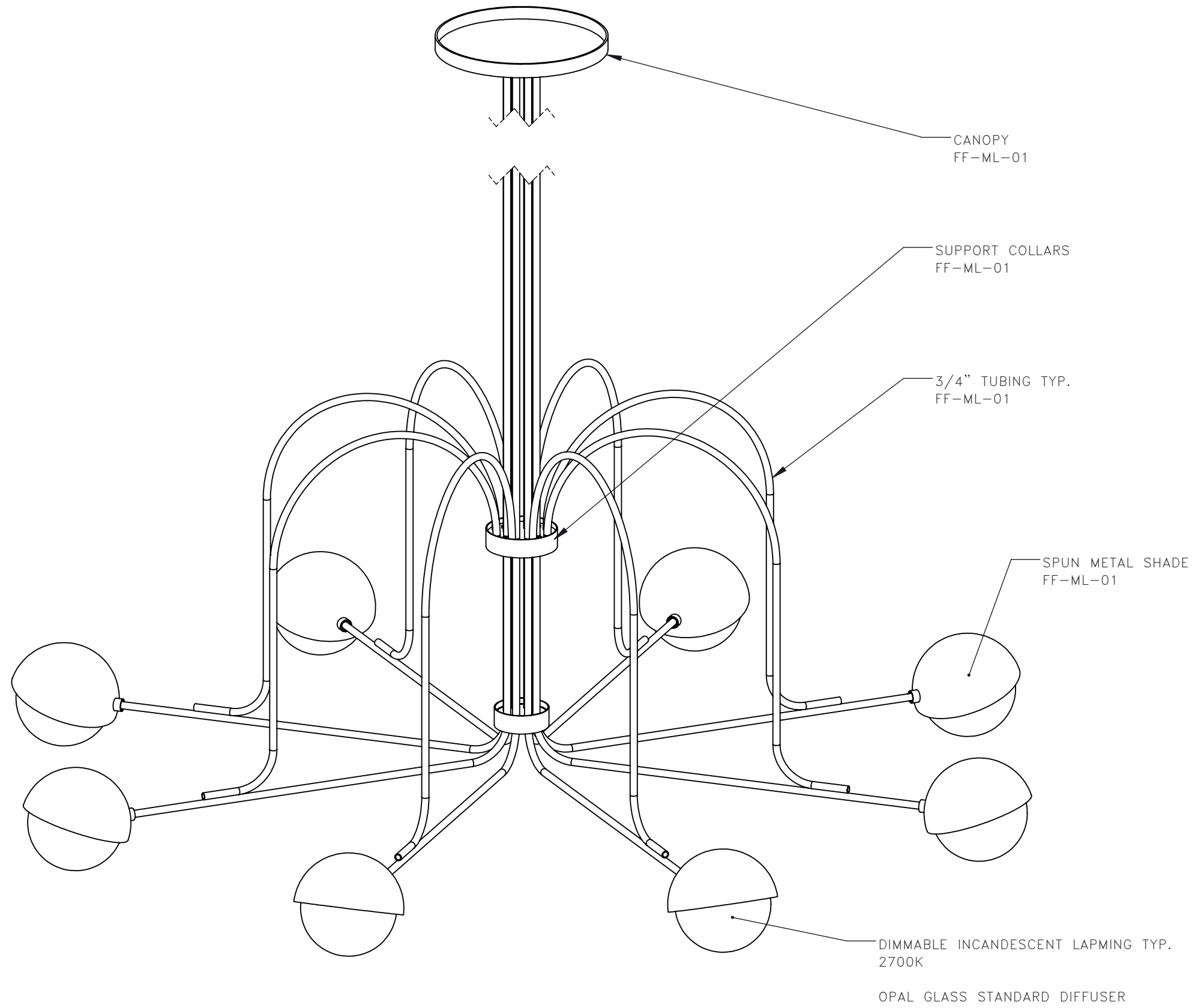
-DRAWING NUMBER
4 / 7

STUDIO MUNGE

FOR DESIGN INTENT ONLY

DRAWING ARE NOT TO BE SCALED. CONTRACTOR MUST CHECK AND VERIFY ALL JOB DIMENSIONS, DRAWINGS, DETAILS AND SPECIFICATIONS; AND REPORT ANY DISCREPANCIES TO DESIGNER BEFORE PROCEEDING WITH WORK.

-REV/	-ISSUED FOR	-DATE



STUDIO MUNGE
 25 WINGOLD AVENUE
 TORONTO, ONTARIO
 M6B 1P8 CANADA
 416.588.1668
 STUDIOMUNGE.COM

-SCALE
AS NOTED

-DATE
5/30/18

-DRAWN BY
RC

-CHECKED BY

-PROJECT NAME
20 WELLINGTON

-DRAWING TITLE
CG-12
CHANDELIER

-PROJECT NUMBER
17132

-DRAWING NUMBER
5 / 7

12 CG-12 CHANDELIER
1:12 ISOMETRIC VIEW

STUDIO MUNGE
E
D
C
B
A
Y

FOR DESIGN INTENT ONLY

DRAWING ARE NOT TO BE SCALED. CONTRACTOR MUST CHECK AND VERIFY ALL JOB DIMENSIONS, DRAWINGS, DETAILS AND SPECIFICATIONS; AND REPORT ANY DISCREPANCIES TO DESIGNER BEFORE PROCEEDING WITH WORK.

-REV/	-ISSUED FOR	-DATE



**STUDIO
MUNGE**
25 WINGOLD AVENUE
TORONTO, ONTARIO
M6B 1P8 CANADA
416.588.1668
STUDIOMUNGE.COM

-SCALE AS NOTED	-DATE 5/30/18
-DRAWN BY RC	-CHECKED BY
-PROJECT NAME 20 WELLINGTON	
-DRAWING TITLE CG-12 CHANDELIER	
-PROJECT NUMBER 17132	
-DRAWING NUMBER 6 / 7	

13 CG-12 CHANDELIER
1:12 RENDERED VIEW

Y
E
F
D
C
B
A
Y

1 2 3 4 5 6

FOR DESIGN INTENT ONLY

DRAWING ARE NOT TO BE SCALED. CONTRACTOR MUST CHECK AND VERIFY ALL JOB DIMENSIONS, DRAWINGS, DETAILS AND SPECIFICATIONS; AND REPORT ANY DISCREPANCIES TO DESIGNER BEFORE PROCEEDING WITH WORK.

-REV/	-ISSUED FOR	-DATE



STUDIO MUNGE
 25 WINGOLD AVENUE
 TORONTO, ONTARIO
 M6B 1P8 CANADA
 416.588.1668
 STUDIOMUNGE.COM

-SCALE
AS NOTED

-DATE
5/30/18

-DRAWN BY
RC

-CHECKED BY

-PROJECT NAME
20 WELLINGTON

-DRAWING TITLE
CG-12
CHANDELIER

-PROJECT NUMBER
17132

-DRAWING NUMBER
7 / 7

14 CG-12 CHANDELIER
1:12 RENDERED VIEW

1 2 3 4 5 6