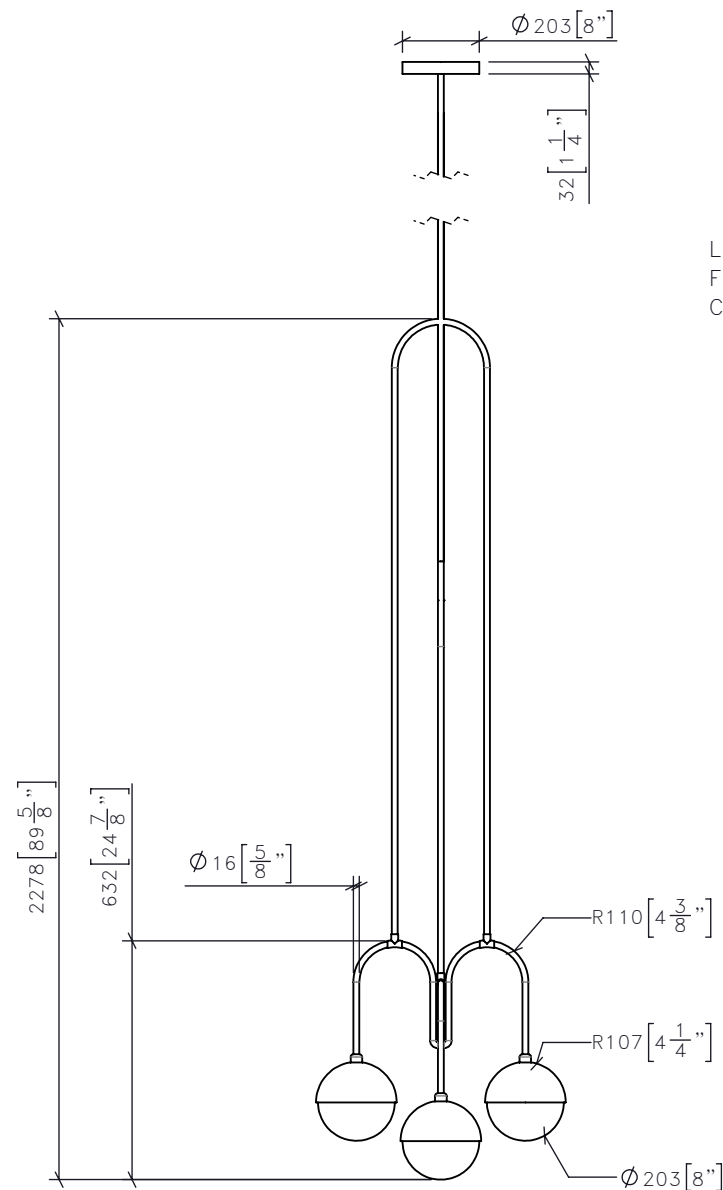


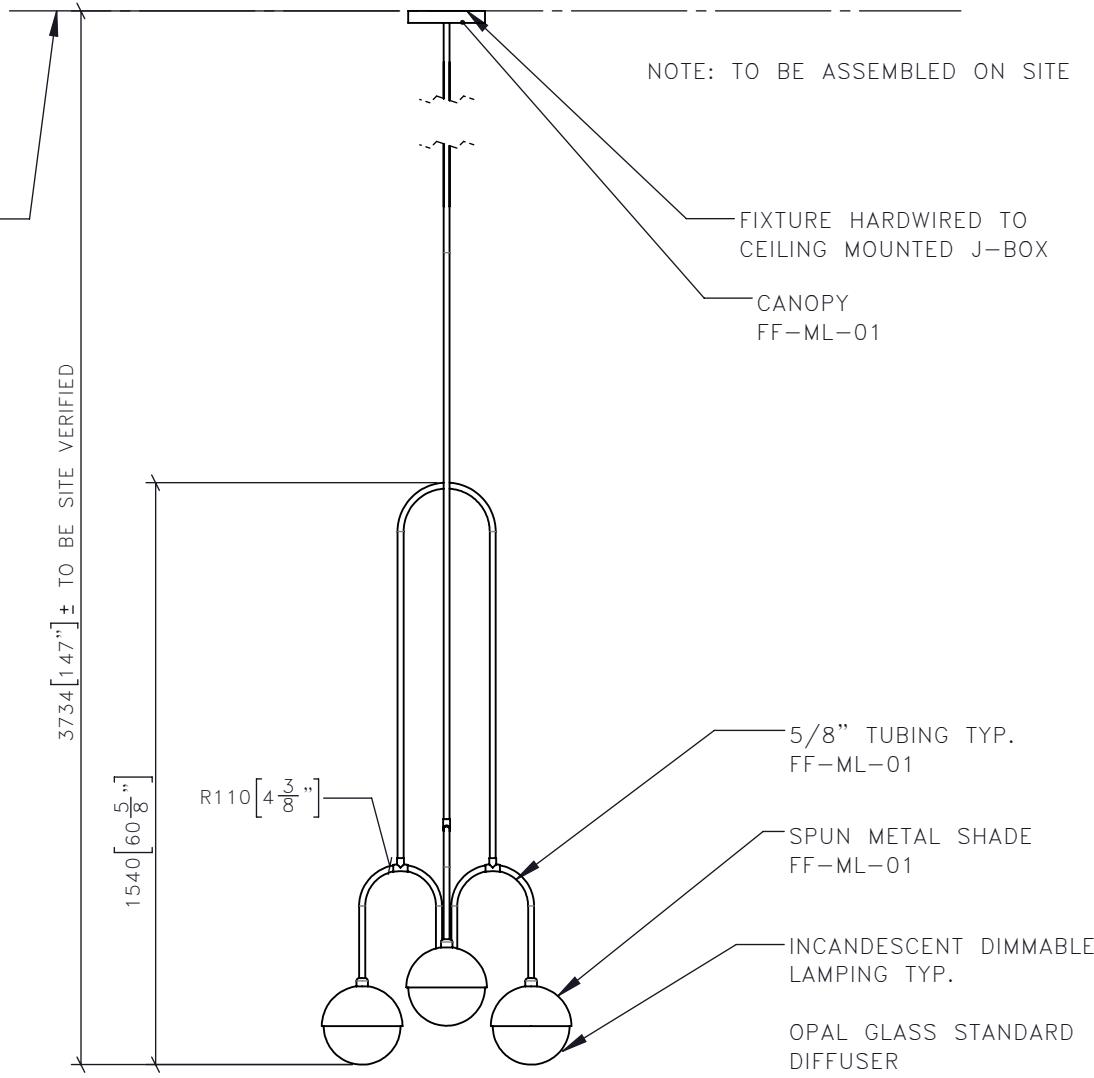
FOR DESIGN INTENT ONLY
SITE VERIFY

DRAWING ARE NOT TO BE SCALED. CONTRACTOR MUST CHECK AND VERIFY ALL JOB DIMENSIONS, DRAWINGS, DETAILS AND SPECIFICATIONS; AND REPORT ANY DISCREPANCIES TO DESIGNER BEFORE PROCEEDING WITH WORK.

-REV/	-ISSUED FOR	-DATE



LINE DENOTES FINISHED CEILING



NOTE: FIXTURE TO BE MOUNTED 2248MM A.F.F

STUDIO MUNGE
25 WINGOLD AVENUE
TORONTO, ONTARIO
M6B 1P8 CANADA
416.588.1668
STUDIOMUNGE.COM

-SCALE
AS NOTED

-DATE
6/6/18

-DRAWN BY
RC

-CHECKED BY

-PROJECT NAME

20 WELLINGTON

-DRAWING TITLE

LT-02
PENDANT LIGHT

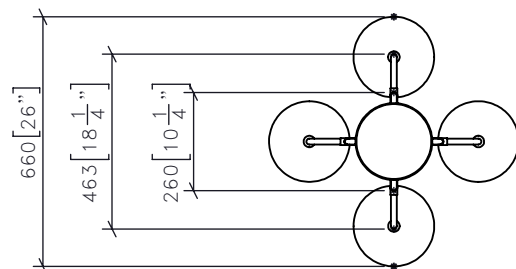
-PROJECT NUMBER
17132

-DRAWING NUMBER
1 / 2

1 | LT-02 | PENDANT LIGHT
1:20 | FRONT ELEVATION

3 | LT-02 | PENDANT LIGHT
1:20 | SIDE ELEVATION

2 | LT-02 | PENDANT LIGHT
1:20 | PLAN



FOR DESIGN INTENT ONLY

DRAWING ARE NOT TO BE SCALED. CONTRACTOR MUST CHECK AND VERIFY ALL JOB DIMENSIONS, DRAWINGS, DETAILS AND SPECIFICATIONS; AND REPORT ANY DISCREPANCIES TO DESIGNER BEFORE PROCEEDING WITH WORK.

-REV/	-ISSUED FOR	-DATE

STUDIO MUNGE
 25 WINGOLD AVENUE
 TORONTO, ONTARIO
 M6B 1P8 CANADA
 416.588.1668
 STUDIOMUNGE.COM

-SCALE
AS NOTED

-DATE
6/6/18

-DRAWN BY
RC

-CHECKED BY

-PROJECT NAME

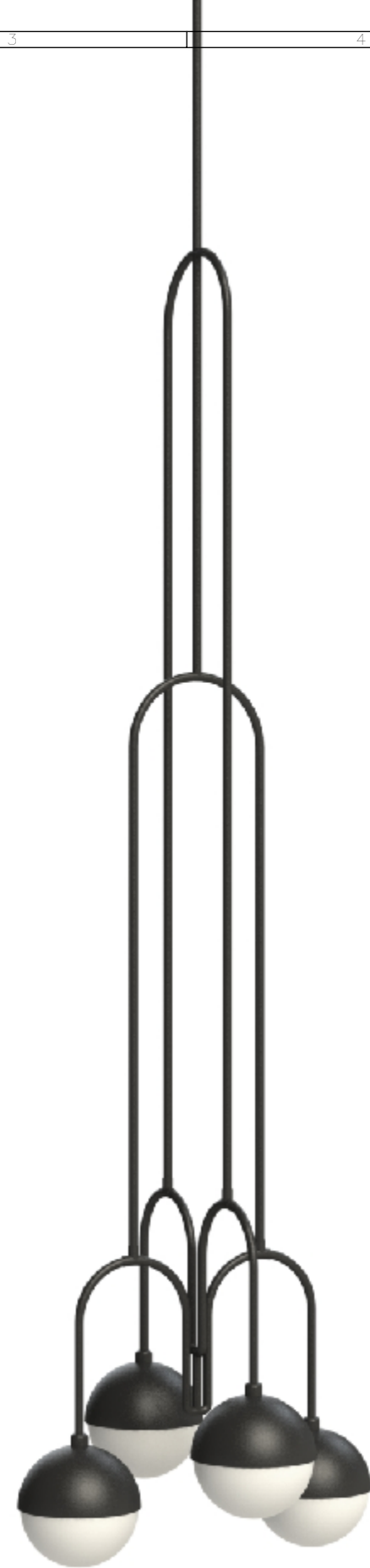
20 WELLINGTON

-DRAWING TITLE

LT-02
PENDANT LIGHT

-PROJECT NUMBER
17132

-DRAWING NUMBER
2 / 2



4	LT-02	PENDANT LIGHT RENDERED VIEW
	1:10	