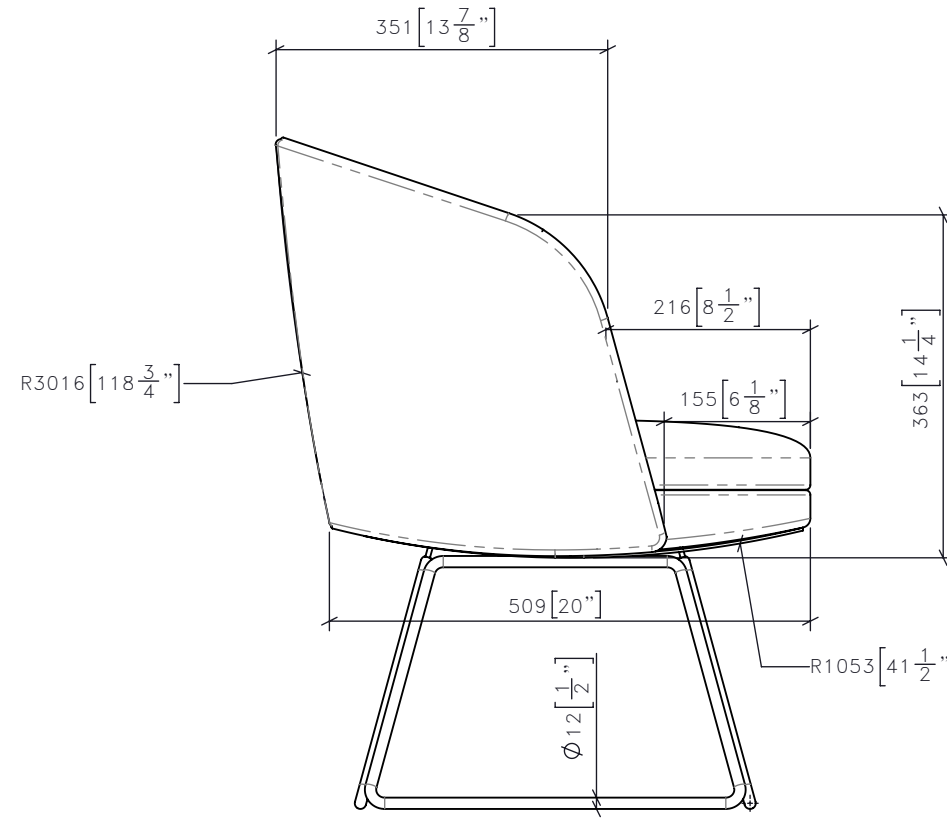
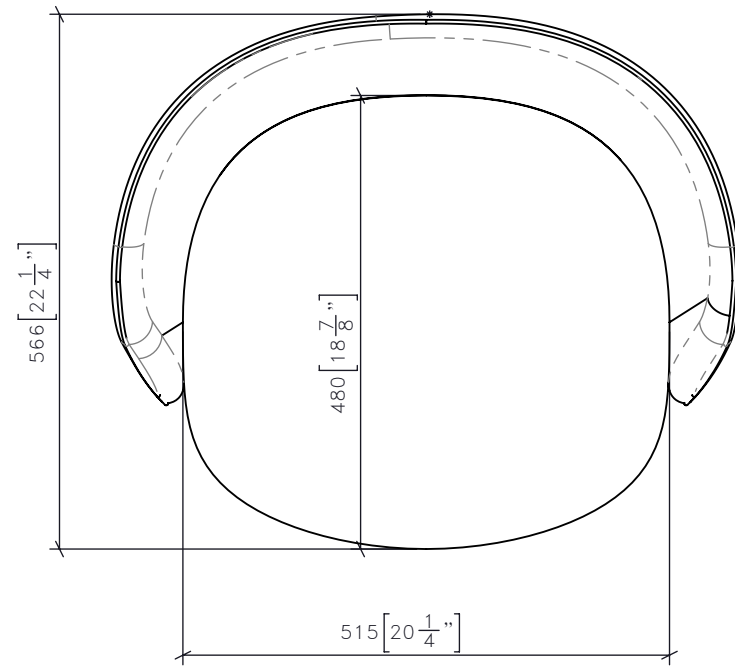


1 CG-XX
1:8 ITEM DESCRIPTION
FRONT ELEVATION



3 CG-XX
1:8 ITEM DESCRIPTION
SIDE ELEVATION



2 CG-XX
1:8 ITEM DESCRIPTION
PLAN

| -REV/ | -ISSUED FOR | -DATE |
|-------|-------------|-------|
| | | |

STUDIO MUNGE
25 WINGOLD AVENUE
TORONTO, ONTARIO
M6B 1P8 CANADA
416.588.1668
STUDIOMUNGE.COM

| | |
|---------------------------|-------------------|
| -SCALE AS NOTED | -DATE 11/19/18 |
| -DRAWN BY EP | -CHECKED BY |
| -PROJECT NAME | |
| PROJECT TITLE | |
| -DRAWING TITLE | |
| CG-XX ITEM DESCRIPTION | |
| -PROJECT NUMBER XXXXXX | |
| -DRAWING NUMBER 1 / 2 | |

STUDIO MUNGE
Y
E
M
D
C
B
A
Y

FOR DESIGN INTENT ONLY

DRAWING ARE NOT TO BE SCALED. CONTRACTOR MUST CHECK AND VERIFY ALL JOB DIMENSIONS, DRAWINGS, DETAILS AND SPECIFICATIONS; AND REPORT ANY DISCREPANCIES TO DESIGNER BEFORE PROCEEDING WITH WORK.

| -REV/ | -ISSUED FOR | -DATE |
|-------|-------------|-------|
| | | |



STUDIO MUNGE
25 WINGOLD AVENUE
TORONTO, ONTARIO
M6B 1P8 CANADA
416.588.1668
STUDIOMUNGE.COM

| | |
|--|--------------------------|
| -SCALE AS NOTED | -DATE 11/19/18 |
| -DRAWN BY AM | -CHECKED BY |
| -PROJECT NAME PROJECT TITLE | |
| -DRAWING TITLE CG-XX ITEM DESCRIPTION | |
| -PROJECT NUMBER XXXXXX | |
| -DRAWING NUMBER 2 / 2 | |