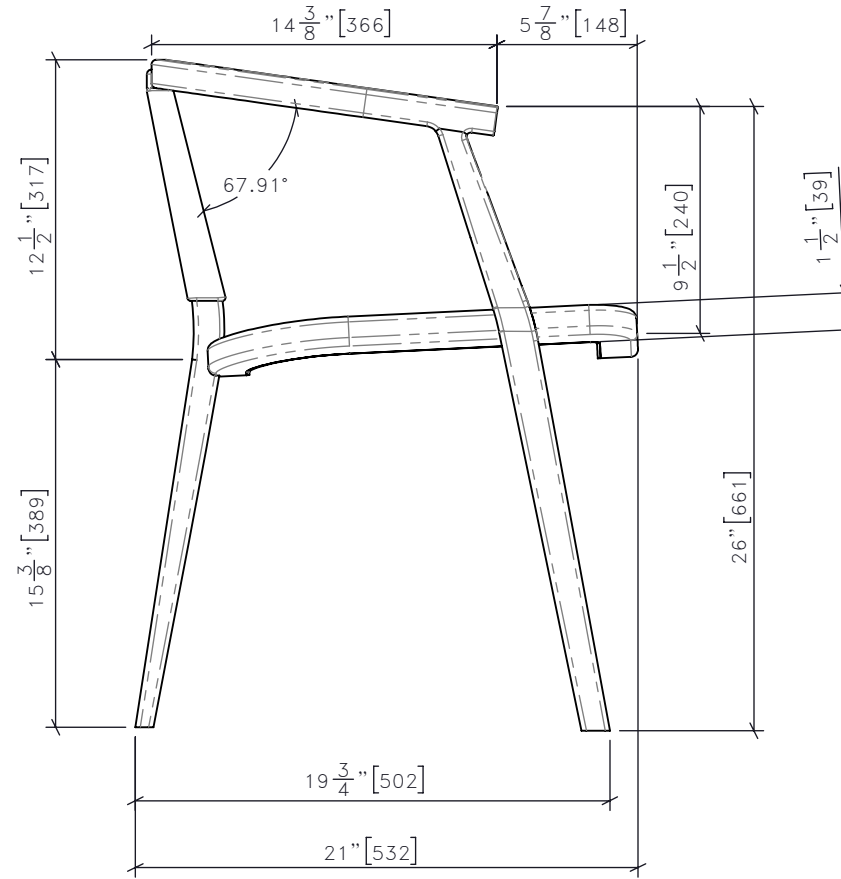
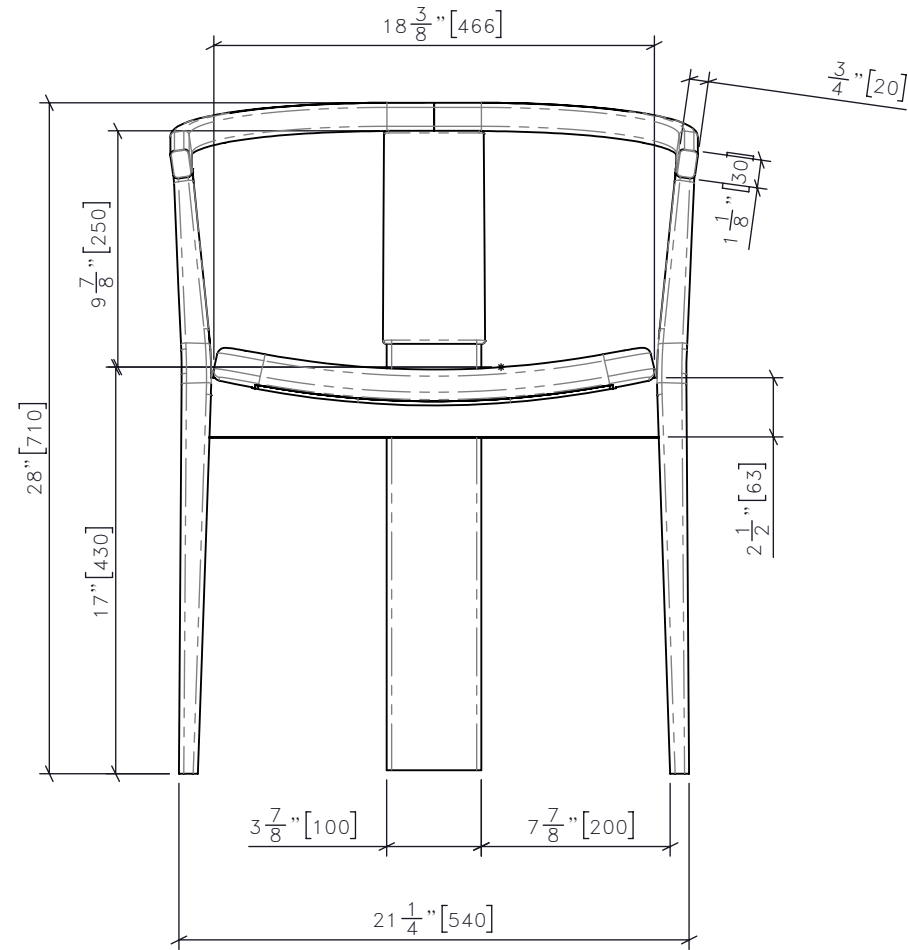


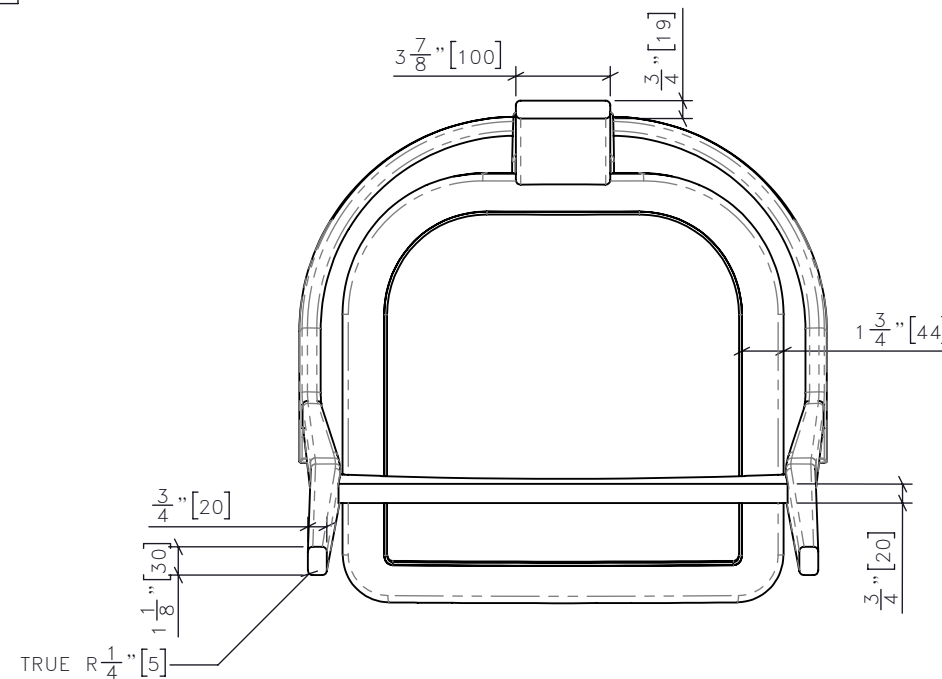
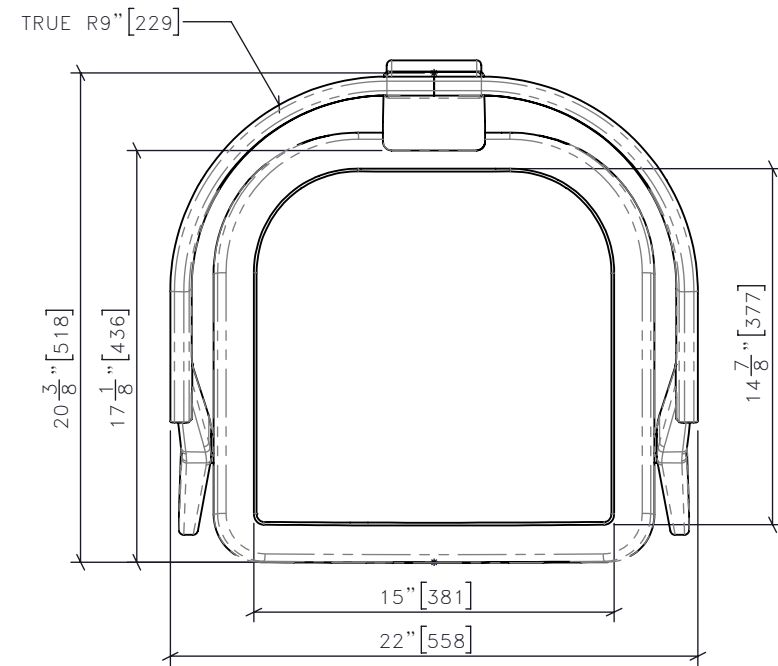
FOR DESIGN INTENT ONLY

DRAWING ARE NOT TO BE SCALED. CONTRACTOR MUST CHECK AND VERIFY ALL JOB DIMENSIONS, DRAWINGS, DETAILS AND SPECIFICATIONS, AND REPORT ANY DISCREPANCIES TO DESIGNER BEFORE PROCEEDING WITH WORK.



**1** | SG-XX | 1:8 | **DESK CHAIR FRONT ELEVATION**

**3** | SG-XX | 1:8 | **DESK CHAIR SIDE ELEVATION**



**2** | SG-XX | 1:8 | **DESK CHAIR PLAN ELEVATION**

**4** | SG-XX | 1:8 | **DESK CHAIR BOTTOM ELEVATION**

SCALE AS NOTED DATE 11/24/17

DRAWN BY RC CHECKED BY

PROJECT NAME

SHANGRI-LA NANNING

DRAWING TITLE

SG-XX  
DESK CHAIR

PROJECT NUMBER 16108

DRAWING NUMBER

1 / 4

**STUDIO MUNGE**  
25 WINGOLD AVENUE  
TORONTO, ONTARIO  
M6B 1P8 CANADA  
416.588.1668  
STUDIOMUNGE.COM

DRAWING ARE NOT TO BE SCALED. CONTRACTOR MUST CHECK AND VERIFY ALL JOB DIMENSIONS, DRAWINGS, DETAILS AND SPECIFICATIONS; AND REPORT ANY DISCREPANCIES TO DESIGNER BEFORE PROCEEDING WITH WORK.

FOR DESIGN INTENT ONLY



REFERENCE IMAGE A. BRONZE CAPS



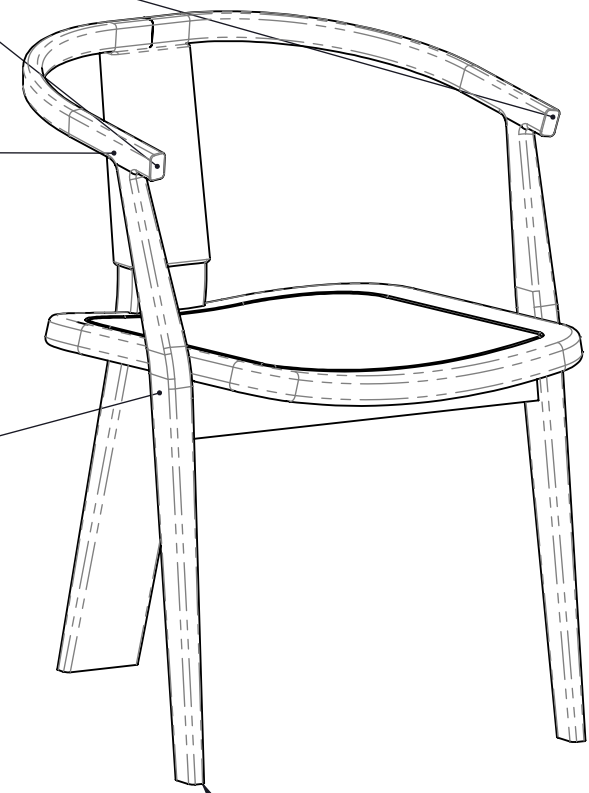
RENDERED VIEW OF JOINERY DETAIL  
WRAPPED LEATHER DYED TO MATCH LAQUER FINISH  
REFERENCE IMAGE B.



CANE WOVEN SEAT IN TRADITIONAL OCTAGONAL WEAVE 1/2" DYED TO MATCH LAQUER FINISH  
REF. IMAGE C



FLAT WOOD THIRD LEG PANEL  
INSPIRED FROM TRADITIONAL CHINESE FURNITURE.  
REF. IMAGE D

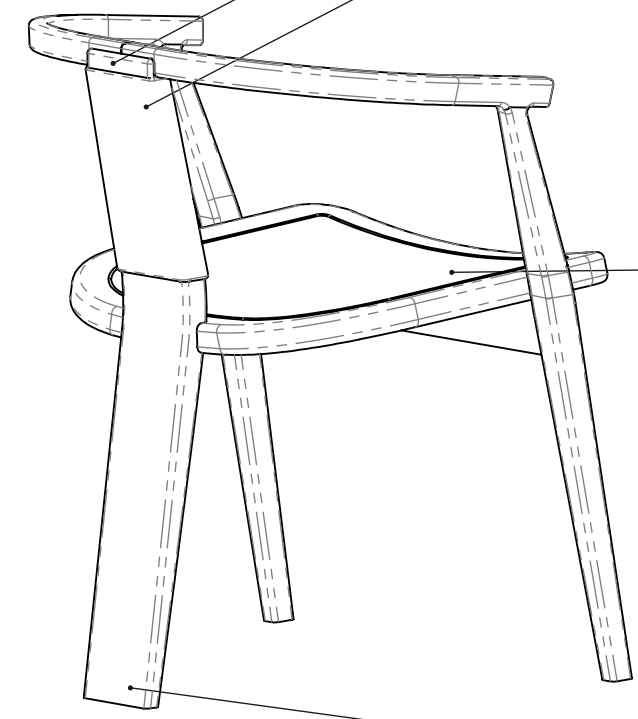


BENT SQUARE ARM  
20MM X 30MM

SQUARE TAPERED LEG  
30 X 40MM TO  
20 X 30MM AT BOTTOM

TAPERED LEG

**5** | SG-XX | 1:8 | **DESK CHAIR FRONT ISOMETRIC**



**6** | SG-XX | 1:8 | **DESK CHAIR BACK ISOMETRIC**

REV#	ISSUED FOR	DATE

**STUDIO MUNGE**  
 25 WINGOLD AVENUE  
 TORONTO, ONTARIO  
 M6B 1P8 CANADA  
 416.588.1668  
 STUDIOMUNGE.COM

**SCALE** AS NOTED  
**DATE** 11/24/17

**DRAWN BY** RC  
**CHECKED BY**

**PROJECT NAME**

SHANGRI-LA NANNING

**DRAWING TITLE**

SG-XX  
 DESK CHAIR

**PROJECT NUMBER**  
 16108

**DRAWING NUMBER**  
 2 / 4

STUDIO MUNGE  
E  
D  
C  
B  
A  
Y

FOR DESIGN INTENT ONLY

DRAWING ARE NOT TO BE SCALED. CONTRACTOR MUST CHECK AND VERIFY ALL JOB DIMENSIONS, DRAWINGS, DETAILS AND SPECIFICATIONS; AND REPORT ANY DISCREPANCIES TO DESIGNER BEFORE PROCEEDING WITH WORK.

REV	ISSUED FOR	DATE



**STUDIO MUNGE**  
25 WINGOLD AVENUE  
TORONTO, ONTARIO  
M6B 1P8 CANADA  
416.588.1668  
STUDIOMUNGE.COM

**SCALE** AS NOTED  
**DATE** 11/24/17

**DRAWN BY** RC  
**CHECKED BY**

**PROJECT NAME**  
SHANGRI-LA NANNING

**DRAWING TITLE**  
SG-XX  
DESK CHAIR

**PROJECT NUMBER**  
16108

**DRAWING NUMBER**  
3 / 4

7 | SG-XX | DESK CHAIR  
NTS | RENDERED VIEW

FOR DESIGN INTENT ONLY

DRAWING ARE NOT TO BE SCALED. CONTRACTOR MUST CHECK AND VERIFY ALL JOB DIMENSIONS, DRAWINGS, DETAILS AND SPECIFICATIONS; AND REPORT ANY DISCREPANCIES TO DESIGNER BEFORE PROCEEDING WITH WORK.

REV	ISSUED FOR	DATE



**STUDIO MUNGE**  
 25 WINGOLD AVENUE  
 TORONTO, ONTARIO  
 M6B 1P8 CANADA  
 416.588.1668  
 STUDIOMUNGE.COM

**SCALE** AS NOTED  
**DATE** 11/24/17

**DRAWN BY** RC  
**CHECKED BY**

**PROJECT NAME**  
 SHANGRI-LA NANNING

**DRAWING TITLE**  
 SG-XX  
 DESK CHAIR

**PROJECT NUMBER**  
 16108

**DRAWING NUMBER**  
 4 / 4

**8** | SG-XX | DESK CHAIR  
 NTS | RENDERED VIEW

**9** | SG-XX | DESK CHAIR  
 NTS | RENDERED DETAILED VIEW