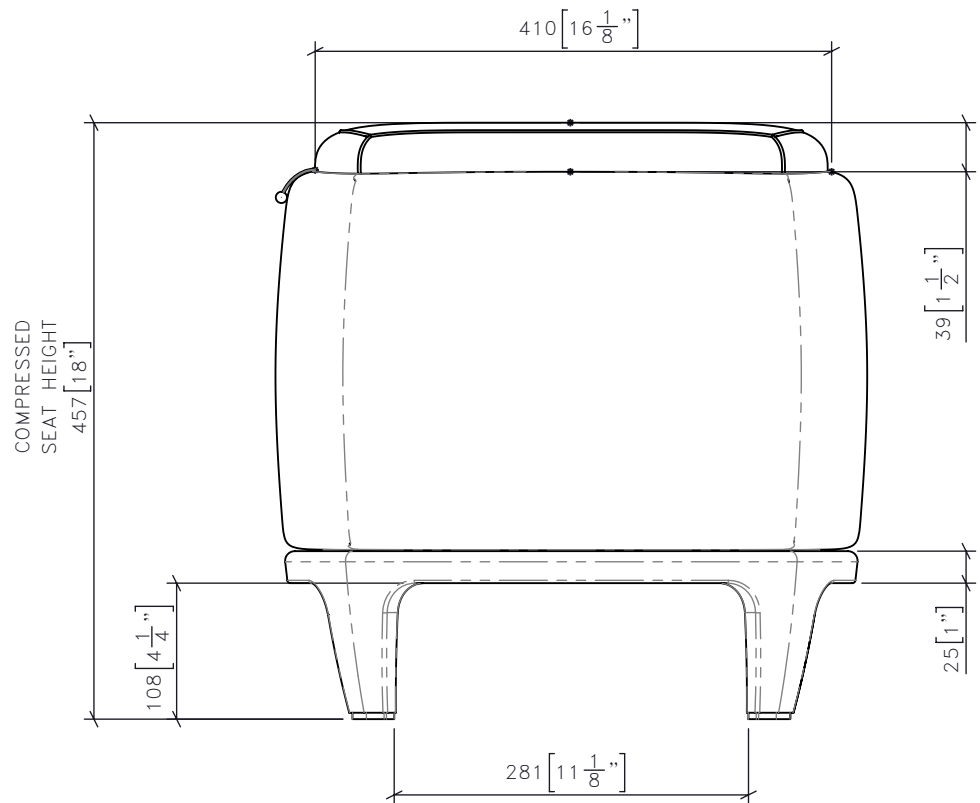


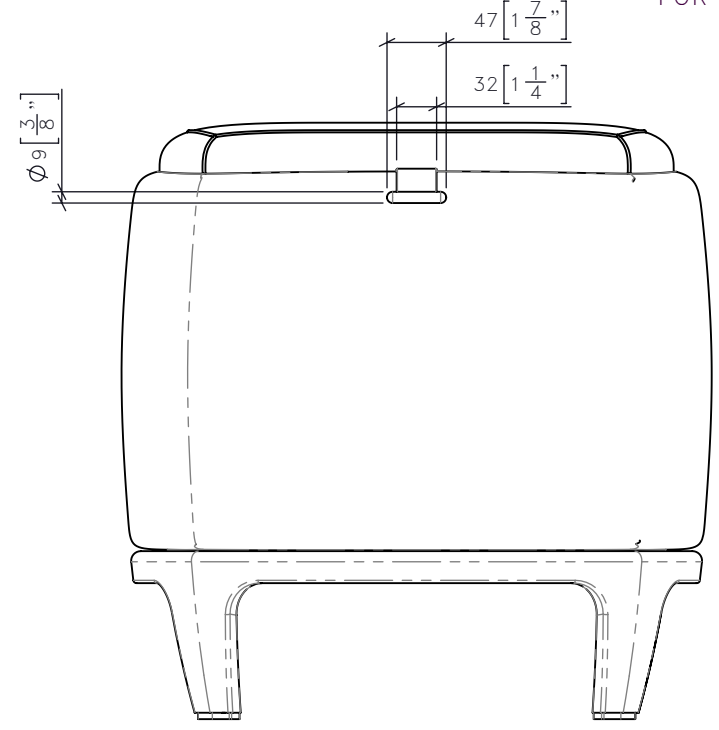
FOR DESIGN INTENT ONLY

DRAWING ARE NOT TO BE SCALED. CONTRACTOR MUST CHECK AND VERIFY ALL JOB DIMENSIONS, DRAWINGS, DETAILS AND SPECIFICATIONS; AND REPORT ANY DISCREPANCIES TO DESIGNER BEFORE PROCEEDING WITH WORK.

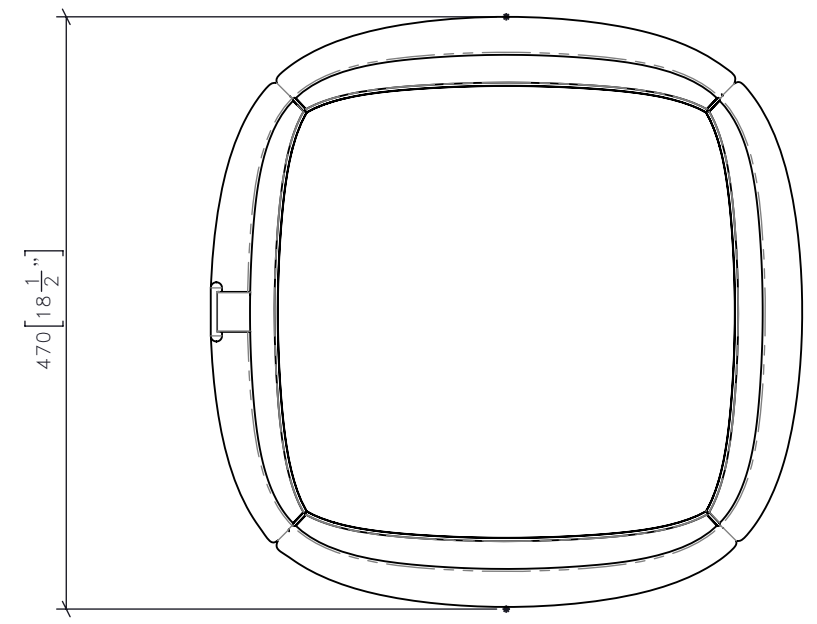
-REV/	-ISSUED FOR	-DATE



1 CG-XX 1:6 STOOL FRONT ELEVATION



3 CG-XX 1:6 STOOL SIDE ELEVATION



2 CG-XX 1:6 STOOL PLAN

STUDIO MUNGE
 25 WINGOLD AVENUE
 TORONTO, ONTARIO
 M6B 1P8 CANADA
 416.588.1668
 STUDIOMUNGE.COM

-SCALE	AS NOTED	-DATE	8/20/18
-DRAWN BY	RC	-CHECKED BY	
-PROJECT NAME	SAHNGRI-LA NANNING		
-DRAWING TITLE	CG-XX STOOL		
-PROJECT NUMBER	16108		
-DRAWING NUMBER	1 / 4		

STITCH DETAIL

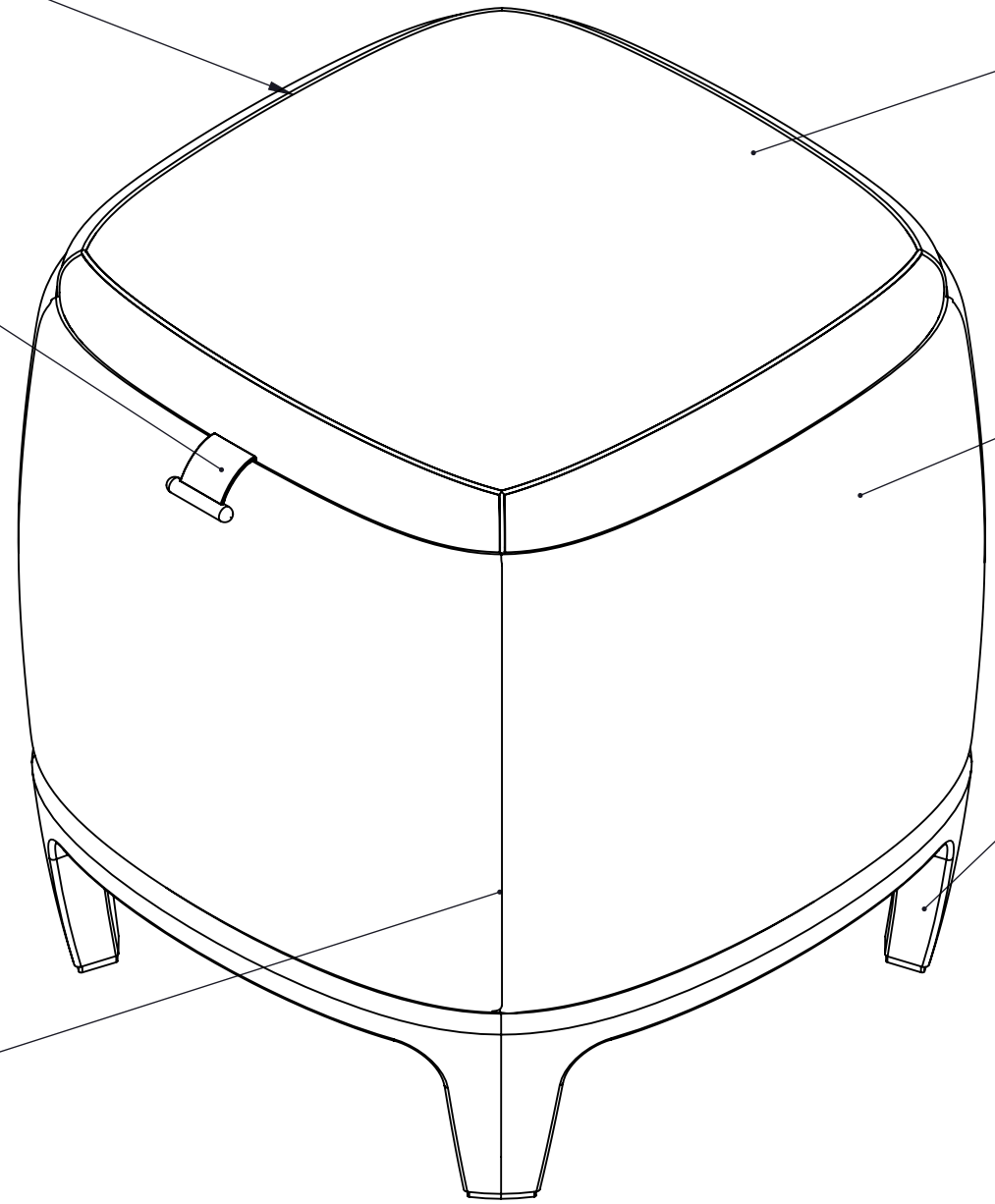
FF-WD-XX
SGF-XXC
LEATHER PULL TAP
ATTACHED TO WOODEN
HANDLE

SGF-XXA
INSET SEAT CUSHION
TO AFFIX TO RECESS
IN UPHOLSTERED BODY

SGF-XXB
UPHOLSTERED HOLLOW
PLYWOOD SHELL

FF-WD-XX
FF-ML-XX
SOLID HARDWOOD
CONSTRUCTION WITH METAL
CAP DETAIL ON FOOT

STITCH DETAIL



-REV/	-ISSUED FOR	-DATE

**STUDIO
MUNGE** 25 WINGOLD AVENUE
TORONTO, ONTARIO
M6B 1P8 CANADA
416.588.1668
STUDIOMUNGE.COM

-SCALE
AS NOTED **-DATE**
8/20/18

-DRAWN BY
RC **-CHECKED BY**

-PROJECT NAME
SAHNGRI-LA NANNING

-DRAWING TITLE
CG-XX
STOOL

-PROJECT NUMBER
16108

-DRAWING NUMBER
2 / 4

5 | CG-XX | **STOOL**
1:4 | Drawing View3

STUDIO MUNGE
E
F
D
C
B
A
Y

FOR DESIGN INTENT ONLY

DRAWING ARE NOT TO BE SCALED. CONTRACTOR MUST CHECK AND VERIFY ALL JOB DIMENSIONS, DRAWINGS, DETAILS AND SPECIFICATIONS; AND REPORT ANY DISCREPANCIES TO DESIGNER BEFORE PROCEEDING WITH WORK.

-REV/	-ISSUED FOR	-DATE



STUDIO MUNGE
25 WINGOLD AVENUE
TORONTO, ONTARIO
M6B 1P8 CANADA
416.588.1668
STUDIOMUNGE.COM

-SCALE
AS NOTED

-DATE
8/20/18

-DRAWN BY
RC

-CHECKED BY

-PROJECT NAME
SAHNGRI-LA NANNING

-DRAWING TITLE
CG-XX
STOOL

-PROJECT NUMBER
16108

-DRAWING NUMBER
3 / 4

STUDIO MUNGE
E
F
D
C
B
A
Y

FOR DESIGN INTENT ONLY

DRAWING ARE NOT TO BE SCALED. CONTRACTOR MUST CHECK AND VERIFY ALL JOB DIMENSIONS, DRAWINGS, DETAILS AND SPECIFICATIONS; AND REPORT ANY DISCREPANCIES TO DESIGNER BEFORE PROCEEDING WITH WORK.

-REV/	-ISSUED FOR	-DATE



**STUDIO
MUNGE**
25 WINGOLD AVENUE
TORONTO, ONTARIO
M6B 1P8 CANADA
416.588.1668
STUDIOMUNGE.COM

-SCALE
AS NOTED

-DATE
8/20/18

-DRAWN BY
RC

-CHECKED BY

-PROJECT NAME
SAHNGRI-LA NANNING

-DRAWING TITLE
CG-XX
STOOL

-PROJECT NUMBER
16108

-DRAWING NUMBER
4 / 4