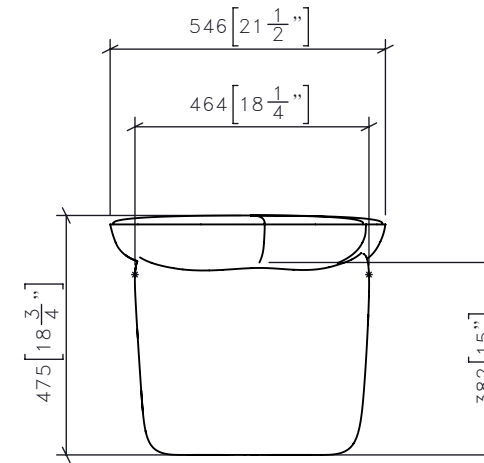
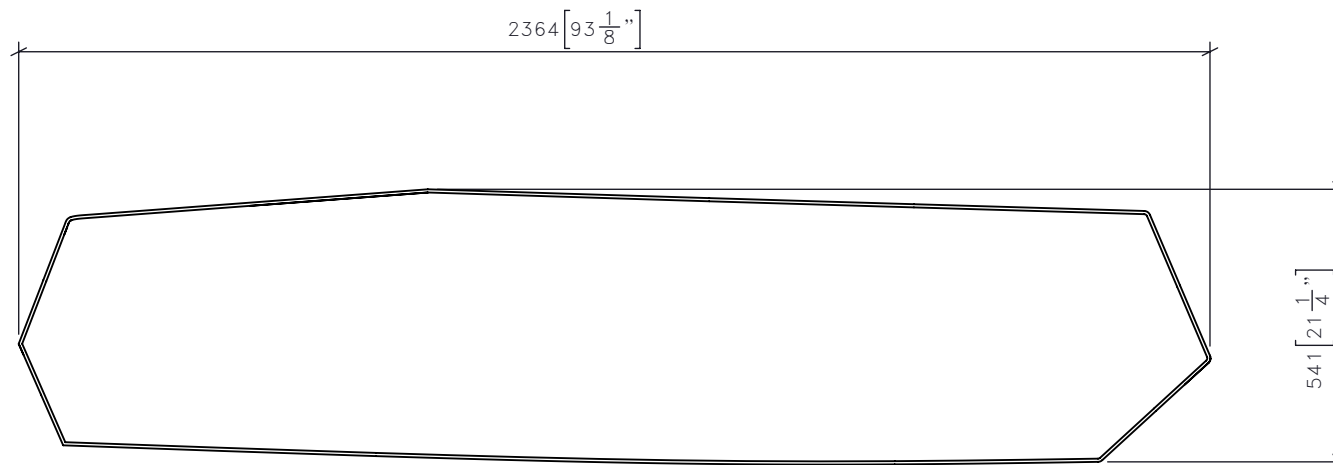


1 | CG-XX | ITEM DESCRIPTION
1:15 | FRONT ELEVATION



3 | CG-XX | ITEM DESCRIPTION
1:15 | SIDE ELEVATION



2 | CG-XX | ITEM DESCRIPTION
1:15 | PLAN

-REV/	-ISSUED FOR	-DATE

STUDIO MUNGE
 25 WINGOLD AVENUE
 TORONTO, ONTARIO
 M6B 1P8 CANADA
 416.588.1668
 STUDIOMUNGE.COM

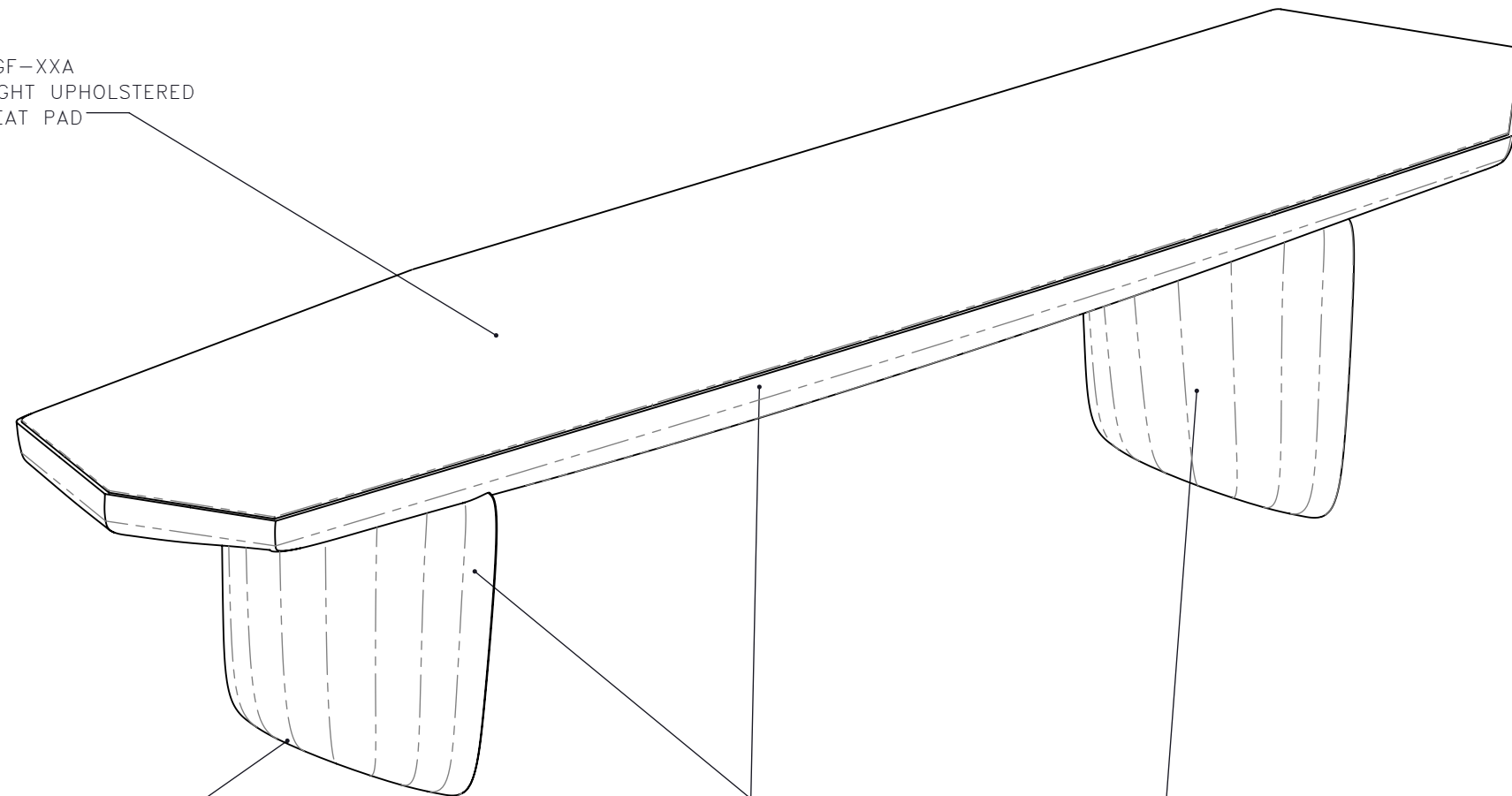
-SCALE AS NOTED	-DATE 5/15/18
-DRAWN BY AM	-CHECKED BY
-PROJECT NAME	
PROJECT TITLE	
-DRAWING TITLE	
CG-XX ITEM DESCRIPTION	
-PROJECT NUMBER XXXXXX	
-DRAWING NUMBER 1 / 4	

FOR DESIGN INTENT ONLY

DRAWING ARE NOT TO BE SCALED. CONTRACTOR MUST CHECK AND VERIFY ALL JOB DIMENSIONS, DRAWINGS, DETAILS AND SPECIFICATIONS; AND REPORT ANY DISCREPANCIES TO DESIGNER BEFORE PROCEEDING WITH WORK.

-REV/	-ISSUED FOR	-DATE

SGF-XXA
TIGHT UPHOLSTERED
SEAT PAD



ADD GLIDES
AS NEEDED

FF-WD-XX
MACHINED CLOSE GRAINED
HARDWOOD STRUCTURE
HIGH GLOSS LACQUER FINISH

**STUDIO
MUNGE** 25 WINGOLD AVENUE
TORONTO, ONTARIO
M6B 1P8 CANADA
416.588.1668
STUDIOMUNGE.COM

-SCALE AS NOTED -DATE 5/15/18

-DRAWN BY AM -CHECKED BY

-PROJECT NAME

PROJECT TITLE

-DRAWING TITLE

CG-XX
ITEM DESCRIPTION

-PROJECT NUMBER
XXXXXX

-DRAWING NUMBER
2 / 4

4	CG-XX	ITEM DESCRIPTION
	1:8	ISOMETRIC FRONT

STUDIO MUNGE
Y
E
M
D
C
B
A
Y
X

1 2 3 4 5 6

FOR DESIGN INTENT ONLY

DRAWING ARE NOT TO BE SCALED. CONTRACTOR MUST CHECK AND VERIFY ALL JOB DIMENSIONS, DRAWINGS, DETAILS AND SPECIFICATIONS; AND REPORT ANY DISCREPANCIES TO DESIGNER BEFORE PROCEEDING WITH WORK.

-REV/	-ISSUED FOR	-DATE



**STUDIO
MUNGE**
25 WINGOLD AVENUE
TORONTO, ONTARIO
M6B 1P8 CANADA
416.588.1668
STUDIOMUNGE.COM

-SCALE AS NOTED	-DATE 5/15/18
-DRAWN BY AM	-CHECKED BY
-PROJECT NAME PROJECT TITLE	
-DRAWING TITLE CG-XX ITEM DESCRIPTION	
-PROJECT NUMBER XXXXXX	
-DRAWING NUMBER 3 / 4	

1 2 3 4 5 6

STUDIO MUNGE
Y
E
M
D
C
B
A
Y

1 2 3 4 5 6

FOR DESIGN INTENT ONLY

DRAWING ARE NOT TO BE SCALED. CONTRACTOR MUST CHECK AND VERIFY ALL JOB DIMENSIONS, DRAWINGS, DETAILS AND SPECIFICATIONS; AND REPORT ANY DISCREPANCIES TO DESIGNER BEFORE PROCEEDING WITH WORK.

-REV/	-ISSUED FOR	-DATE



**STUDIO
MUNGE**
25 WINGOLD AVENUE
TORONTO, ONTARIO
M6B 1P8 CANADA
416.588.1668
STUDIOMUNGE.COM

-SCALE
AS NOTED

-DATE
5/15/18

-DRAWN BY
AM

-CHECKED BY

-PROJECT NAME

PROJECT TITLE

-DRAWING TITLE

CG-XX
ITEM DESCRIPTION

-PROJECT NUMBER
XXXXXX

-DRAWING NUMBER
4 / 4

1 2 3 4 5 6