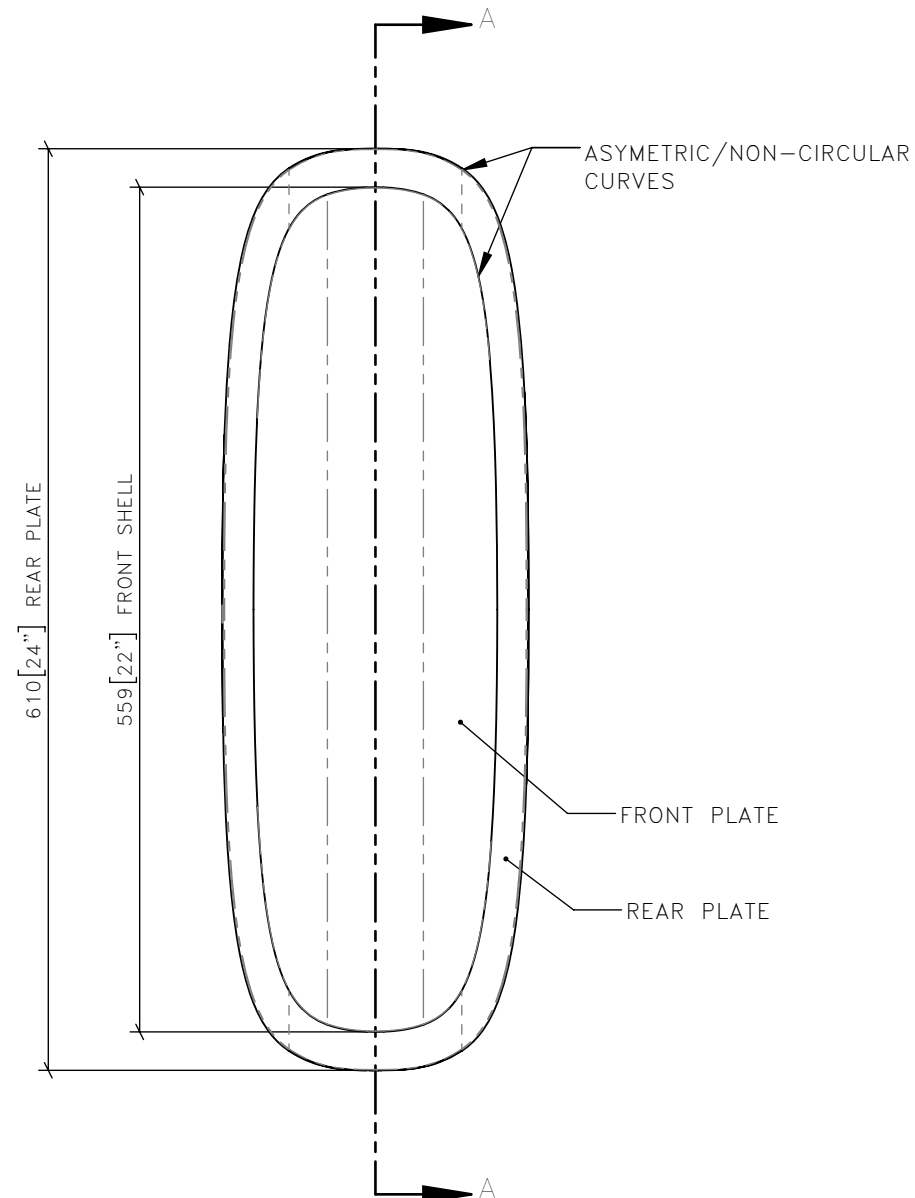
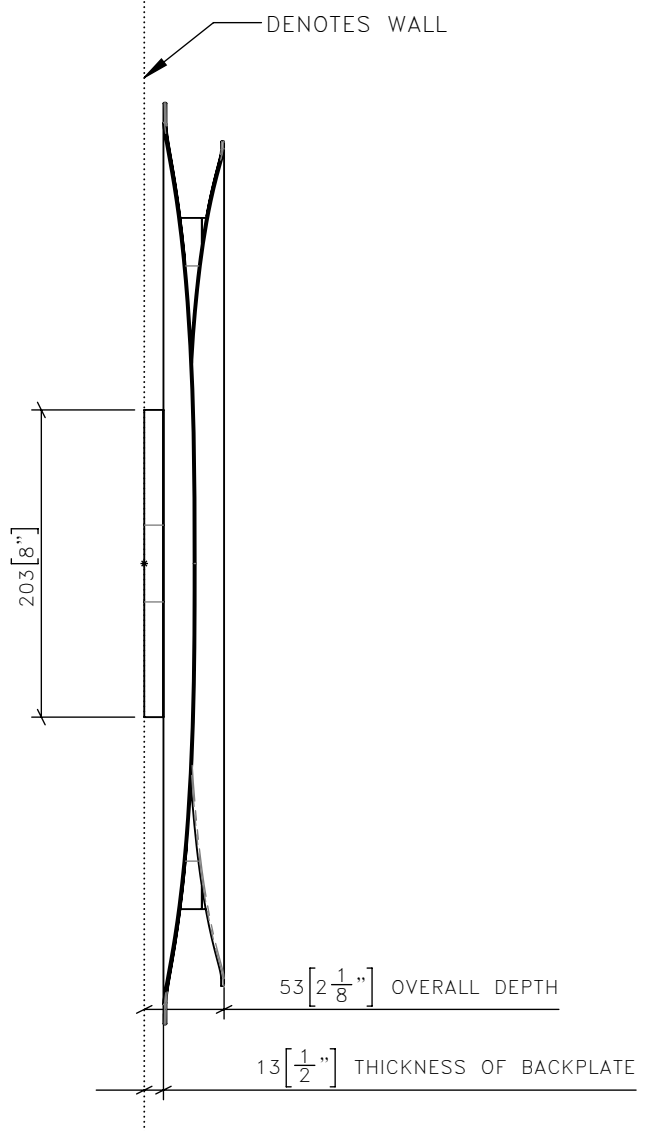


FOR DESIGN INTENT ONLY

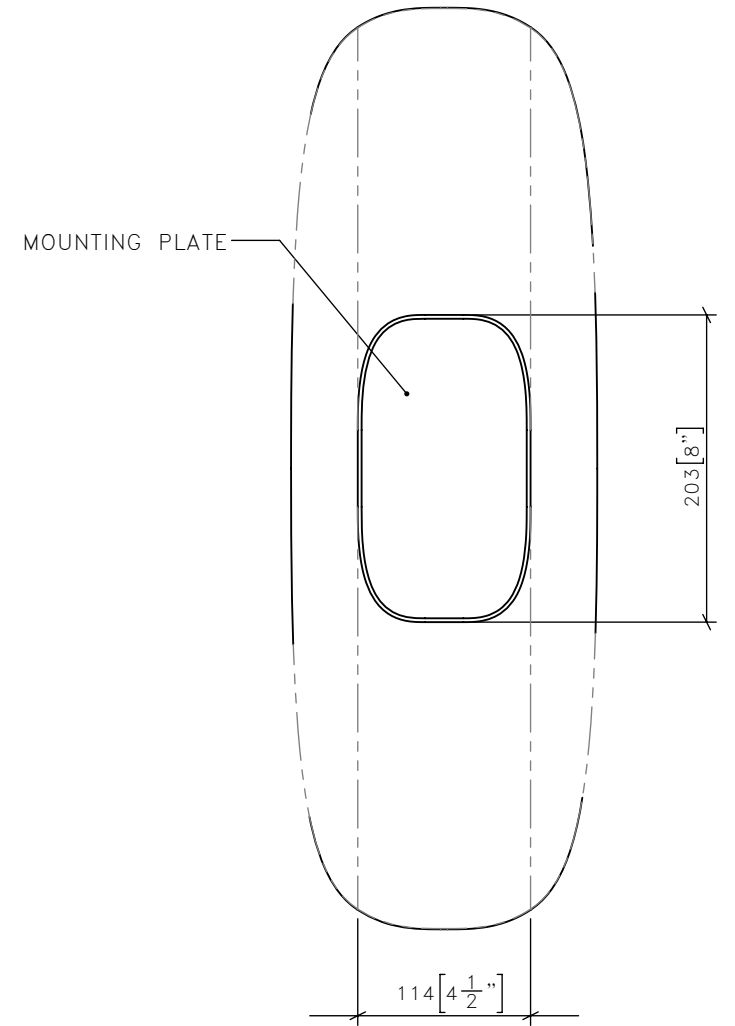
DRAWING ARE NOT TO BE SCALED. CONTRACTOR MUST CHECK AND VERIFY ALL JOB DIMENSIONS, DRAWINGS, DETAILS AND SPECIFICATIONS; AND REPORT ANY DISCREPANCIES TO DESIGNER BEFORE PROCEEDING WITH WORK.



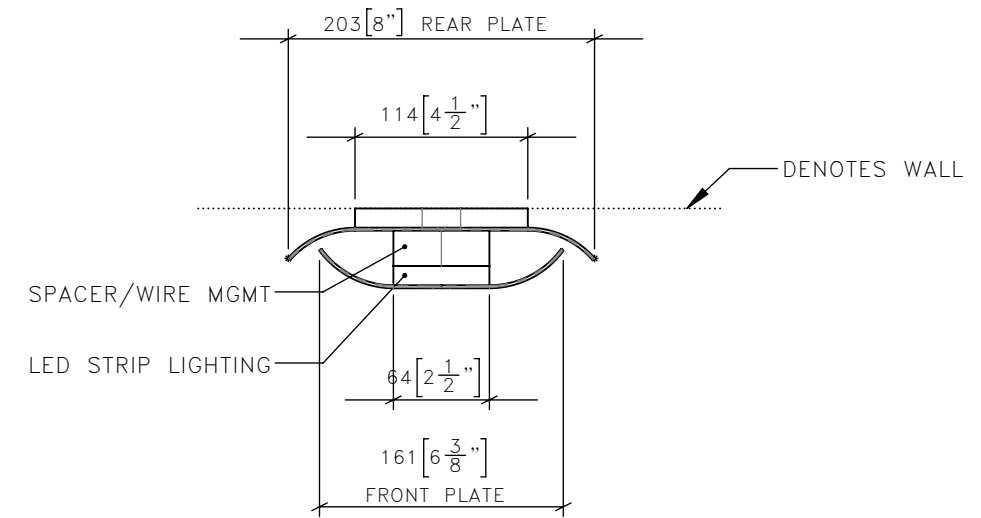
**1** | L3-LT-01 A,B | **SCONCE A,B**  
1:5 | FRONT ELEVATION



**3** | L3-LT-01 A,B | **SCONCE A,B**  
1:5 | SIDE ELEVATION



**4** | L3-LT-01 A,B | **SCONCE A,B**  
1:5 | Drawing View4



**2** | L3-LT-01 A,B | **SCONCE A,B**  
1:5 | PLAN

-REV/	-ISSUED FOR	-DATE

**STUDIO MUNGE**  
25 WINGOLD AVENUE  
TORONTO, ONTARIO  
M6B 1P8 CANADA  
416.588.1668  
STUDIOMUNGE.COM

**-SCALE**  
AS NOTED

**-DATE**  
6/9/20

**-DRAWN BY**  
CS

**-CHECKED BY**

**-PROJECT NAME**

QUEEN'S MARQUE

**-DRAWING TITLE**

L3-LT-01 A,B  
SCONCE A,B

**-PROJECT NUMBER**  
17140

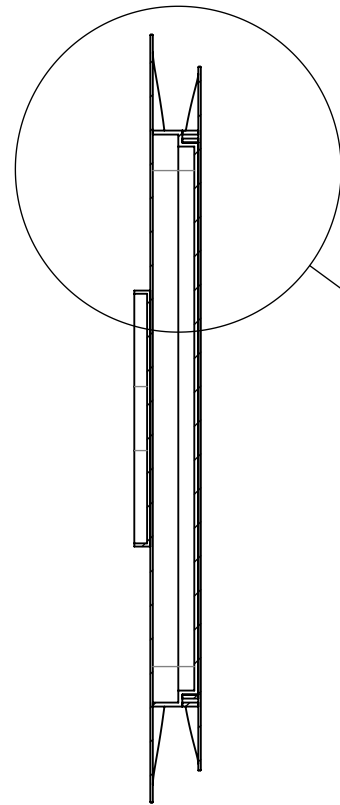
**-DRAWING NUMBER**  
1 / 4

STUDIO MUNGE  
E  
D  
C  
B  
A  
Y

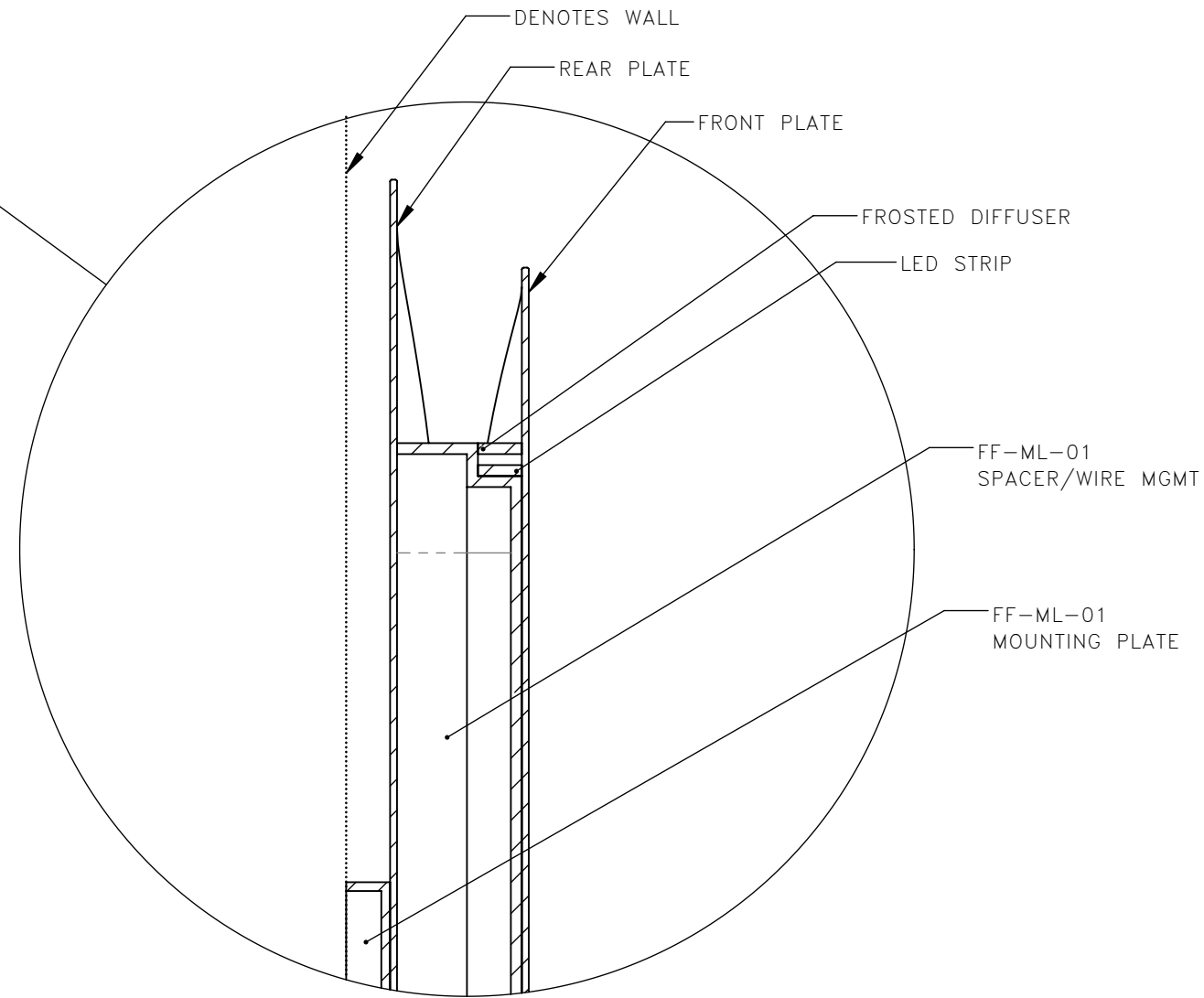
FOR DESIGN INTENT ONLY

DRAWING ARE NOT TO BE SCALED. CONTRACTOR MUST CHECK AND VERIFY ALL JOB DIMENSIONS, DRAWINGS, DETAILS AND SPECIFICATIONS; AND REPORT ANY DISCREPANCIES TO DESIGNER BEFORE PROCEEDING WITH WORK.

-REV/	-ISSUED FOR	-DATE



SECTION A-A



DETAIL B  
SCALE 1 : 2

<b>5</b>	L3-LT-01 A,B	<b>SCONCE A,B</b>
	1:10	<b>SECTION</b>

**STUDIO MUNGE**  
25 WINGOLD AVENUE  
TORONTO, ONTARIO  
M6B 1P8 CANADA  
416.588.1668  
STUDIOMUNGE.COM

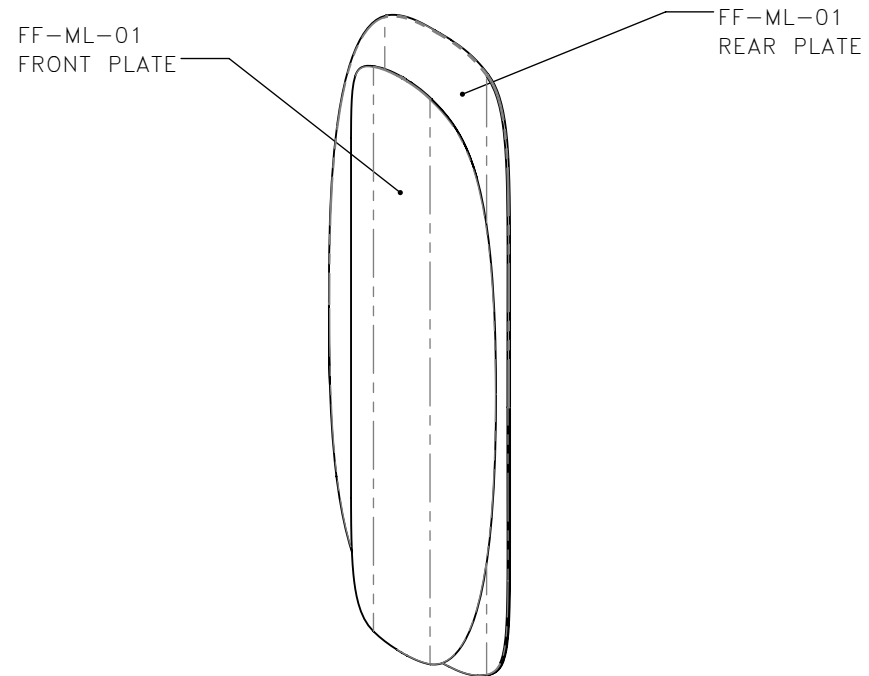
<b>-SCALE</b> AS NOTED	<b>-DATE</b> 6/9/20
<b>-DRAWN BY</b> CS	<b>-CHECKED BY</b> 
<b>-PROJECT NAME</b>  QUEEN'S MARQUE	
<b>-DRAWING TITLE</b>  L3-LT-01 A,B SCONCE A,B	
<b>-PROJECT NUMBER</b> 17140	
<b>-DRAWING NUMBER</b> 2 / 4	

STUDIO MUNGE

FOR DESIGN INTENT ONLY

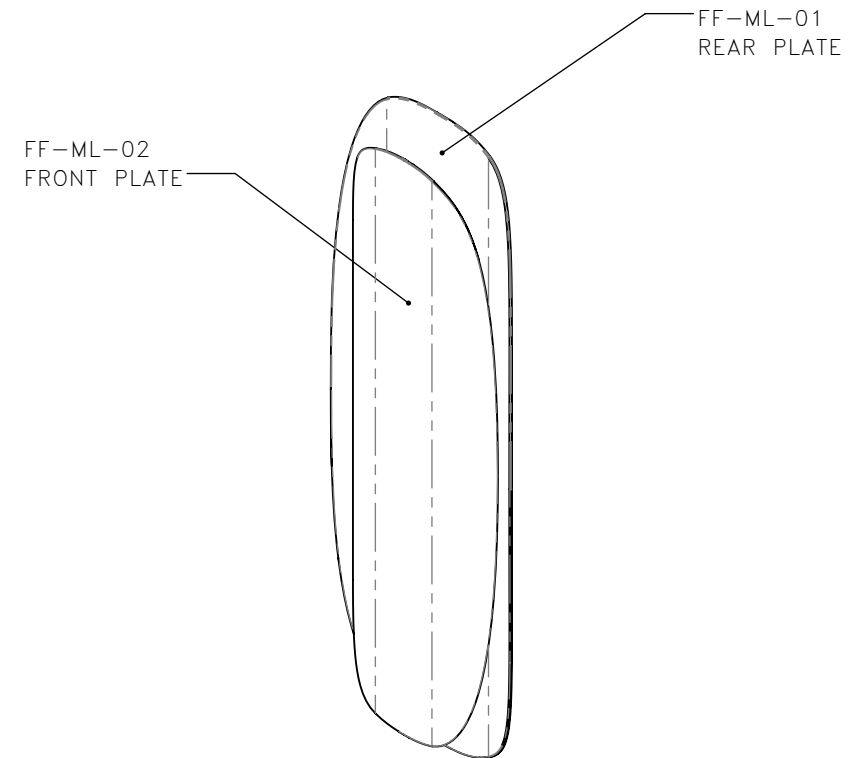
DRAWING ARE NOT TO BE SCALED. CONTRACTOR MUST CHECK AND VERIFY ALL JOB DIMENSIONS, DRAWINGS, DETAILS AND SPECIFICATIONS; AND REPORT ANY DISCREPANCIES TO DESIGNER BEFORE PROCEEDING WITH WORK.

### SCONCE A



6	L3-LT-01 A,B	<u>SCONCE A,B</u> ISOMETRIC
	1:6	

### SCONCE B



7	L3-LT-01 A,B	<u>SCONCE A,B</u> ISOMETRIC
	1:6	

REV	ISSUED FOR	DATE

**STUDIO MUNGE**  
 25 WINGOLD AVENUE  
 TORONTO, ONTARIO  
 M6B 1P8 CANADA  
 416.588.1668  
 STUDIOMUNGE.COM

<b>-SCALE</b> AS NOTED	<b>-DATE</b> 6/9/20
<b>-DRAWN BY</b> CS	<b>-CHECKED BY</b> 
<b>-PROJECT NAME</b>  QUEEN'S MARQUE	
<b>-DRAWING TITLE</b>  L3-LT-01 A,B SCONCE A,B	
<b>-PROJECT NUMBER</b> 17140	
<b>-DRAWING NUMBER</b> 3 / 4	

STUDIO MUNGE  
E  
F  
D  
C  
B  
A  
Y

FOR DESIGN INTENT ONLY

DRAWING ARE NOT TO BE SCALED. CONTRACTOR MUST CHECK AND VERIFY ALL JOB DIMENSIONS, DRAWINGS, DETAILS AND SPECIFICATIONS; AND REPORT ANY DISCREPANCIES TO DESIGNER BEFORE PROCEEDING WITH WORK.

-REV/	-ISSUED FOR	-DATE

SCONCE A



SCONCE B



**STUDIO  
MUNGE**  
25 WINGOLD AVENUE  
TORONTO, ONTARIO  
M6B 1P8 CANADA  
416.588.1668  
STUDIOMUNGE.COM

**-SCALE**  
AS NOTED

**-DATE**  
6/9/20

**-DRAWN BY**  
CS

**-CHECKED BY**

**-PROJECT NAME**  
  
QUEEN'S MARQUE

**-DRAWING TITLE**  
  
L3-LT-01 A,B  
SCONCE A,B

**-PROJECT NUMBER**  
17140

**-DRAWING NUMBER**  
4 / 4

8 | L3-LT-01 A,B | **SCONCE A,B**  
1:6 | RENDERINGS