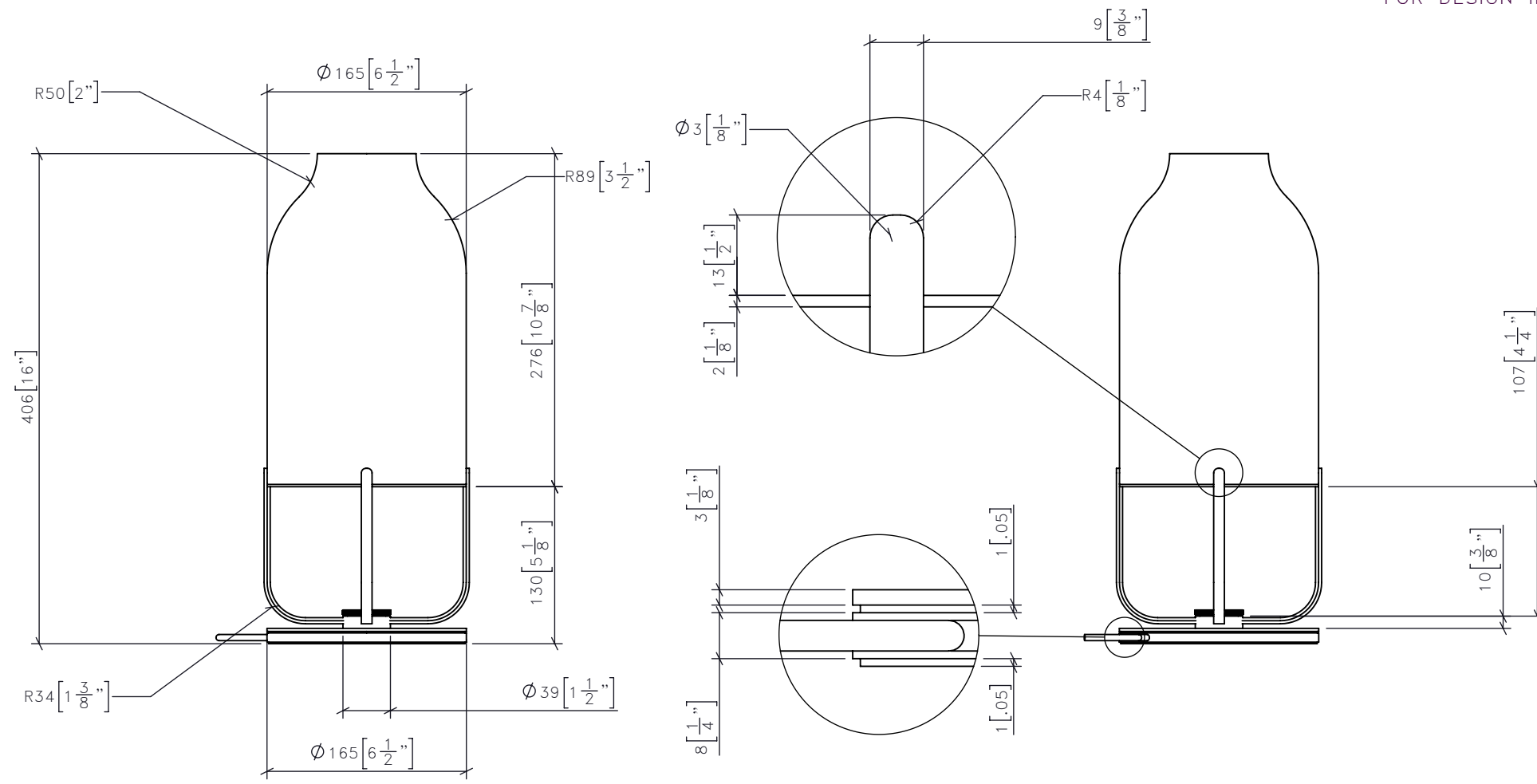


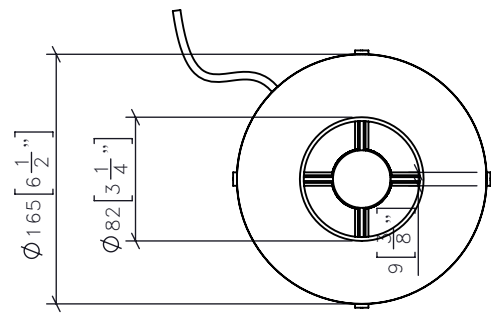
FOR DESIGN INTENT ONLY

DRAWING ARE NOT TO BE SCALED. CONTRACTOR MUST CHECK AND VERIFY ALL JOB DIMENSIONS, DRAWINGS, DETAILS AND SPECIFICATIONS; AND REPORT ANY DISCREPANCIES TO DESIGNER BEFORE PROCEEDING WITH WORK.



1 LA-501 SIDE TABLE LAMP
1:5 FRONT ELEVATION

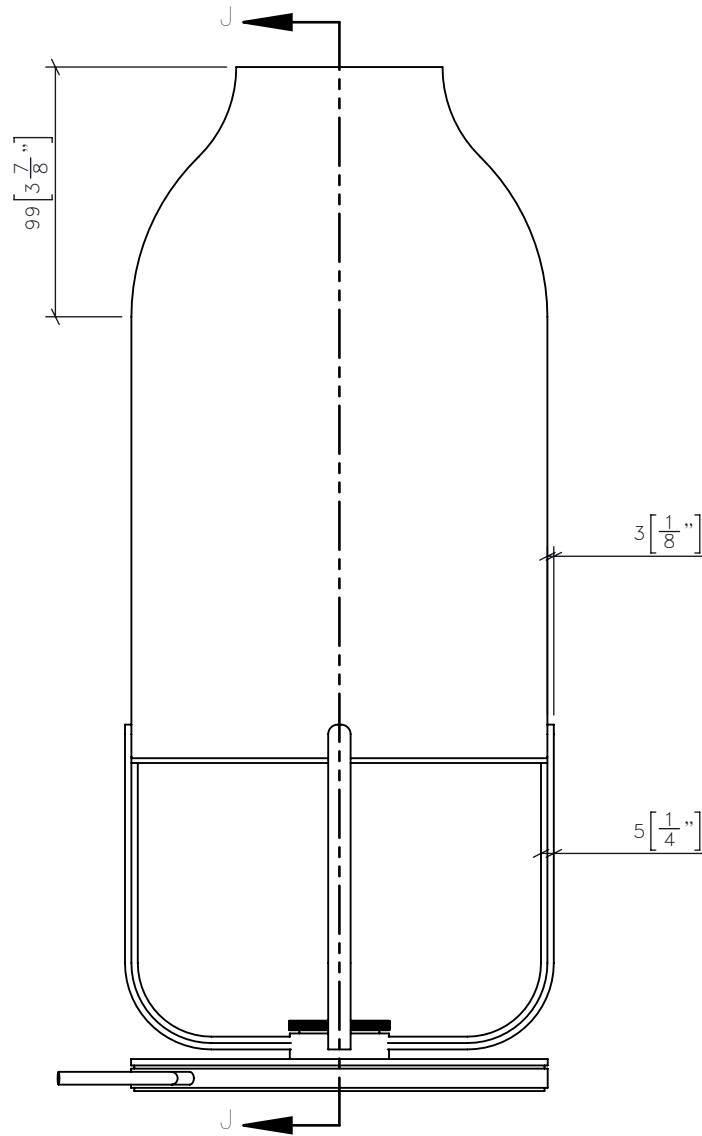
3 LA-501 SIDE TABLE LAMP
1:5 Drawing View6



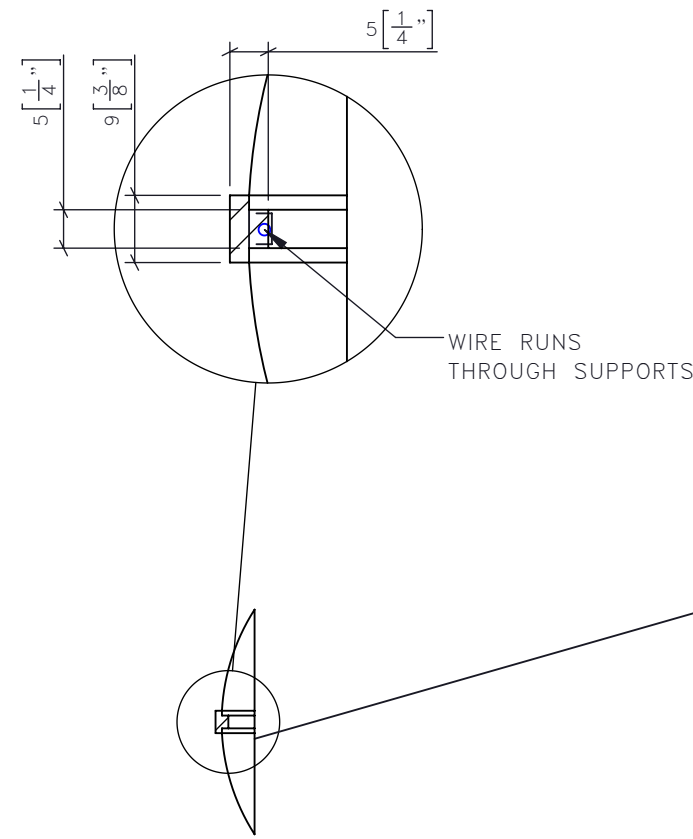
2 LA-501 SIDE TABLE LAMP
1:5 PLAN

-SCALE AS NOTED		-DATE 3/5/20
-DRAWN BY RC		-CHECKED BY
-PROJECT NAME QUEENS MARQUE		
-DRAWING TITLE LA-501 SIDE TABLE LAMP		
-PROJECT NUMBER 17140		
-DRAWING NUMBER 1 / 5		

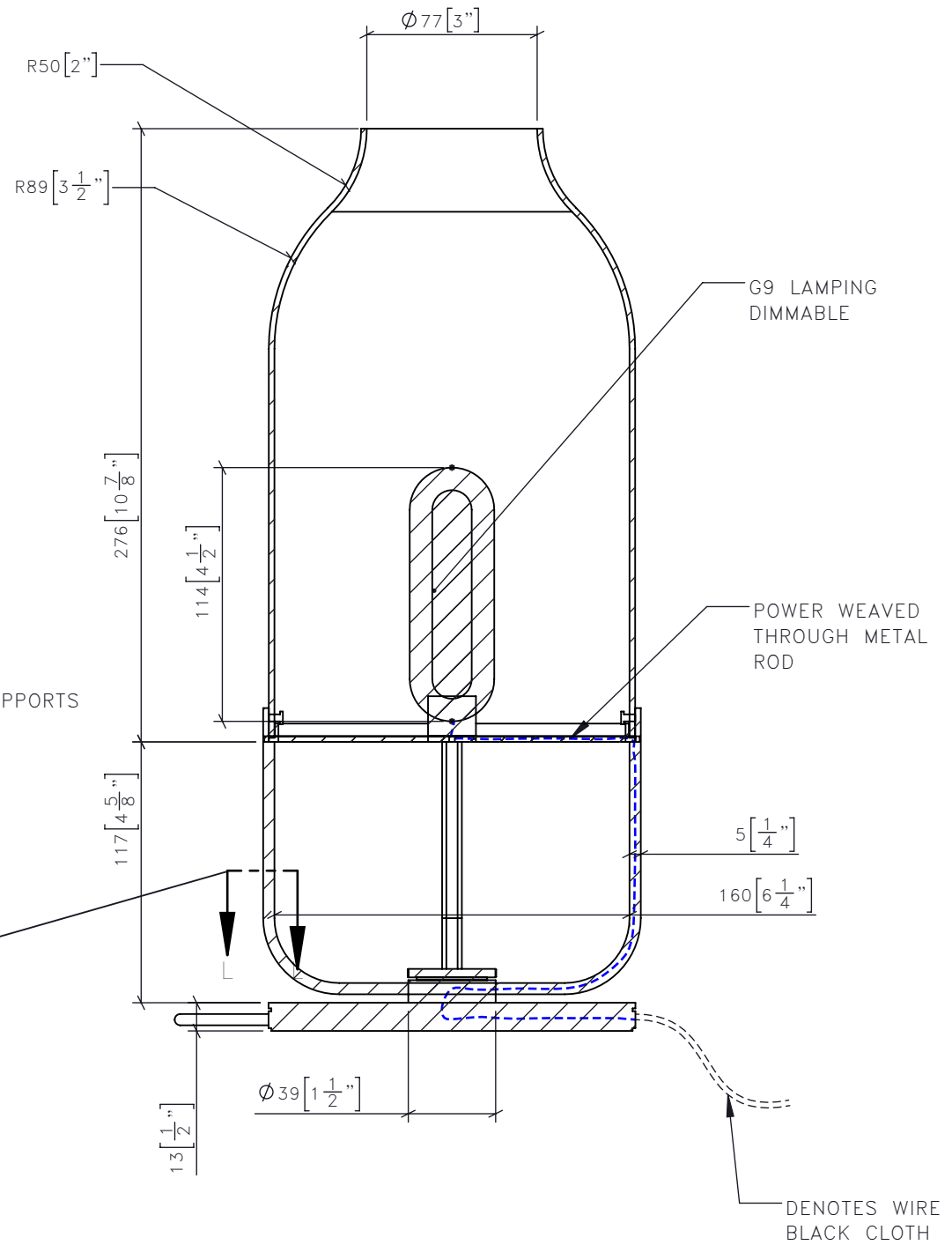
REV	ISSUED FOR	DATE



4 | LA-501 | SIDE TABLE LAMP
1:3 | FRONT ELEVATION



SECTION L-L



5 | LA-501 | SIDE TABLE LAMP
1:3 | SECTION J-J

STUDIO MUNGE
25 WINGOLD AVENUE
TORONTO, ONTARIO
M6B 1P8 CANADA
416.588.1668
STUDIOMUNGE.COM

-SCALE AS NOTED	-DATE 3/5/20
-DRAWN BY RC	-CHECKED BY
-PROJECT NAME QUEENS MARQUE	
-DRAWING TITLE LA-501 SIDE TABLE LAMP	
-PROJECT NUMBER 17140	
-DRAWING NUMBER 2 / 5	

FOR DESIGN INTENT ONLY

DRAWING ARE NOT TO BE SCALED. CONTRACTOR MUST CHECK AND VERIFY ALL JOB DIMENSIONS, DRAWINGS, DETAILS AND SPECIFICATIONS; AND REPORT ANY DISCREPANCIES TO DESIGNER BEFORE PROCEEDING WITH WORK.

-REV/	-ISSUED FOR	-DATE

FF-GL-04
CUSTOM GLASS
DIFFUSER TINTED
BRONZE

FF-GL-04
CUSTOM INNER GLASS
DIFFUSER TINTED
BRONZE

FROSTED FINISH

SCREW CAP KEEPS
GLASS IN PLACE
ON EITHER SIDE

FF-PT-01
METAL BASE PLATE
POWDER COATED

CORD LENGTH
TO BE 3FT

FF-PT-01
POWDER COAT
BLACK
KNURLED DIMMABLE
TWIST SWITCH

FF-PT-01
METAL SPIDER POWDER COATED

FF-PT-01
METAL SUPPORT
POWDER COATED

**STUDIO
MUNGE**

25 WINGOLD AVENUE
TORONTO, ONTARIO
M6B 1P8 CANADA
416.588.1668
STUDIOMUNGE.COM

-SCALE AS NOTED -DATE 3/5/20

-DRAWN BY RC -CHECKED BY

-PROJECT NAME

QUEENS MARQUE

-DRAWING TITLE

LA-501
SIDE TABLE LAMP

-PROJECT NUMBER
17140

-DRAWING NUMBER
3 / 5

6	LA-501	SIDE TABLE LAMP ISOMETRIC FRONT
	1:2	

STUDIO MUNGE
E
F
D
C
B
A
Y

FOR DESIGN INTENT ONLY

DRAWING ARE NOT TO BE SCALED. CONTRACTOR MUST CHECK AND VERIFY ALL JOB DIMENSIONS, DRAWINGS, DETAILS AND SPECIFICATIONS; AND REPORT ANY DISCREPANCIES TO DESIGNER BEFORE PROCEEDING WITH WORK.



-REV/	-ISSUED FOR	-DATE

**STUDIO
MUNGE**
25 WINGOLD AVENUE
TORONTO, ONTARIO
M6B 1P8 CANADA
416.588.1668
STUDIOMUNGE.COM

-SCALE
AS NOTED

-DATE
3/5/20

-DRAWN BY
RC

-CHECKED BY

-PROJECT NAME

QUEENS MARQUE

-DRAWING TITLE

LA-501
SIDE TABLE LAMP

-PROJECT NUMBER
17140

-DRAWING NUMBER
4 / 5

7 | LA-501 | SIDE TABLE LAMP
1:2 | RENDERED VIEW

STUDIO MUNGE
E
F
D
C
B
A
Y

FOR DESIGN INTENT ONLY

DRAWING ARE NOT TO BE SCALED. CONTRACTOR MUST CHECK AND VERIFY ALL JOB DIMENSIONS, DRAWINGS, DETAILS AND SPECIFICATIONS; AND REPORT ANY DISCREPANCIES TO DESIGNER BEFORE PROCEEDING WITH WORK.

-REV/	-ISSUED FOR	-DATE



**STUDIO
MUNGE**
25 WINGOLD AVENUE
TORONTO, ONTARIO
M6B 1P8 CANADA
416.588.1668
STUDIOMUNGE.COM

-SCALE
AS NOTED

-DATE
3/5/20

-DRAWN BY
RC

-CHECKED BY

-PROJECT NAME

QUEENS MARQUE

-DRAWING TITLE

LA-501
SIDE TABLE LAMP

-PROJECT NUMBER
17140

-DRAWING NUMBER
5 / 5

7 | LA-501 | SIDE TABLE LAMP
1:2 | RENDERED VIEW