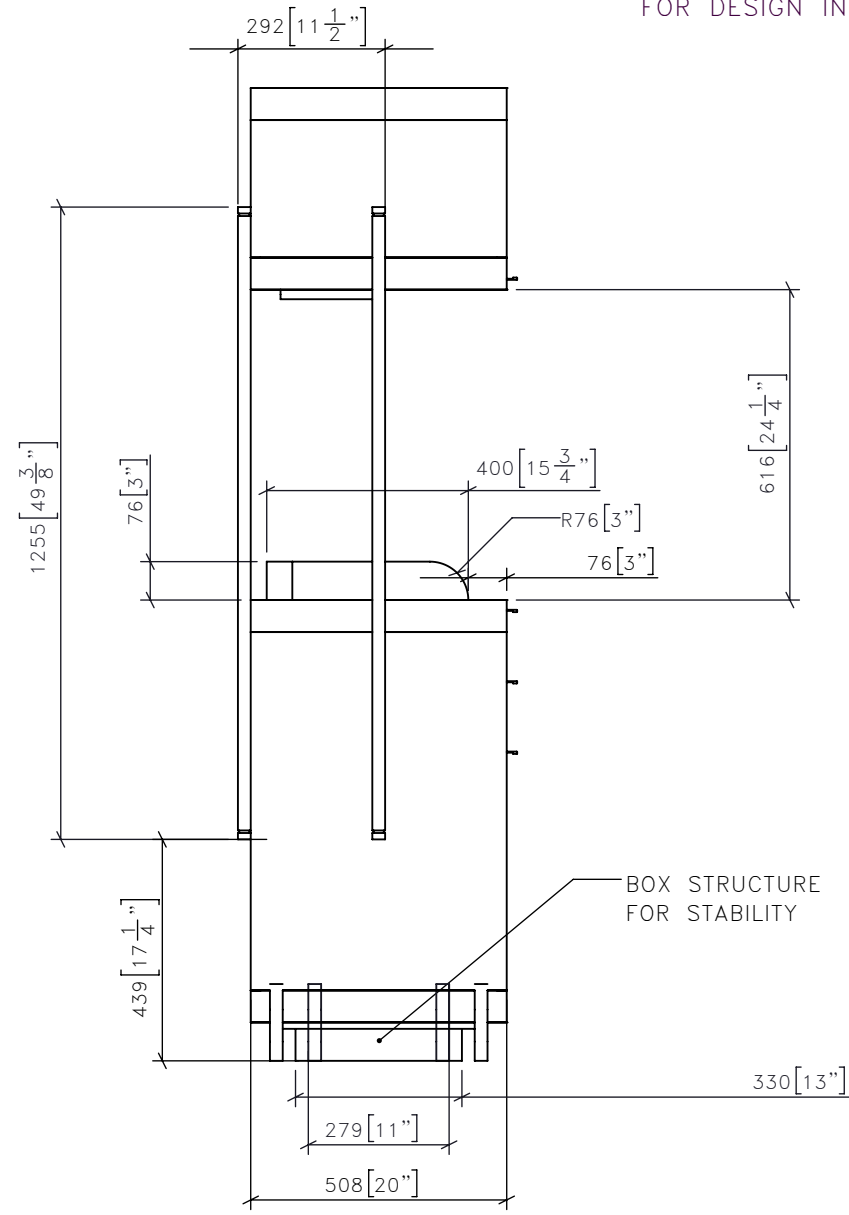
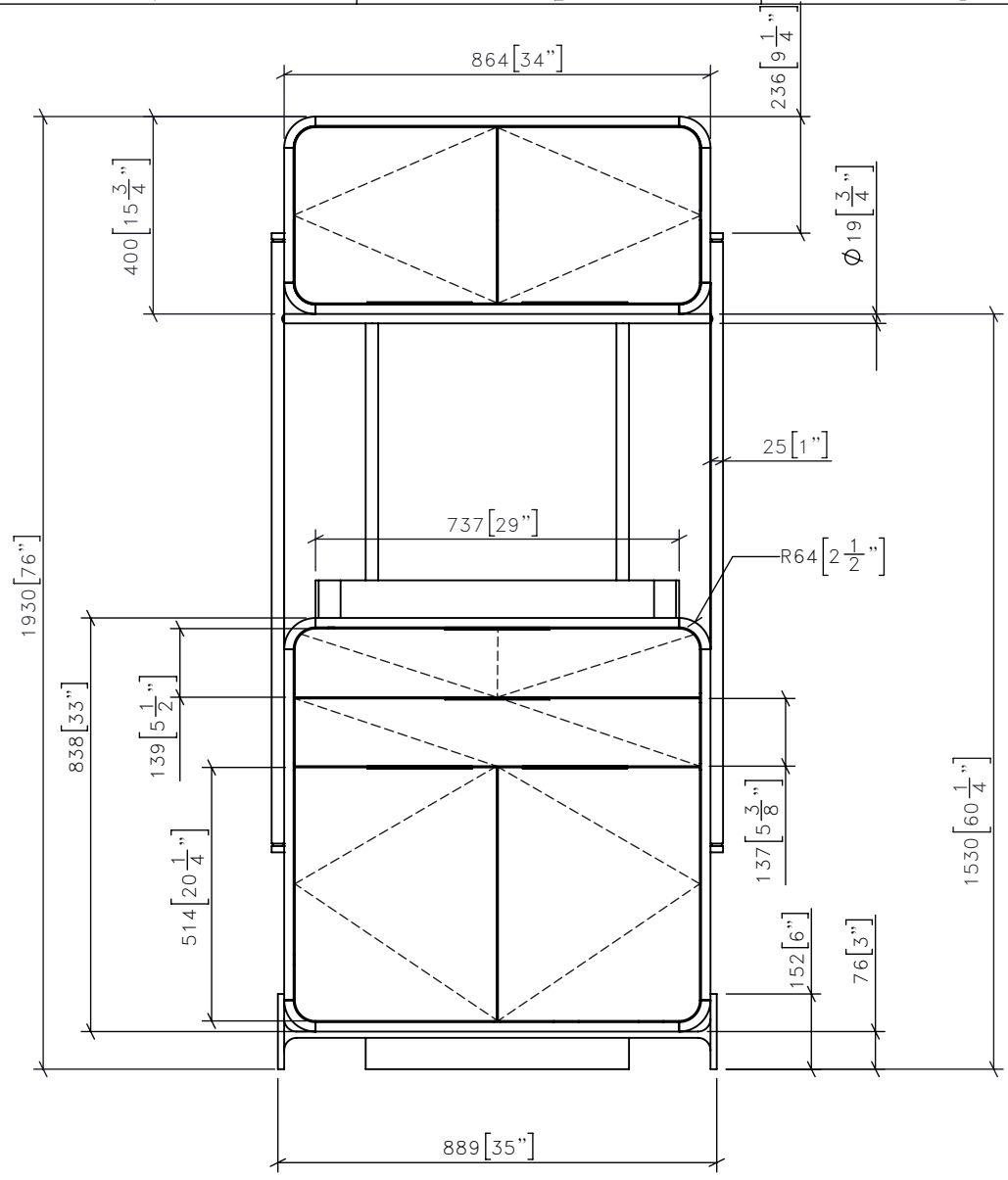


FOR DESIGN INTENT ONLY

DRAWING ARE NOT TO BE SCALED. CONTRACTOR MUST CHECK AND VERIFY ALL JOB DIMENSIONS, DRAWINGS, DETAILS AND SPECIFICATIONS; AND REPORT ANY DISCREPANCIES TO DESIGNER BEFORE PROCEEDING WITH WORK.

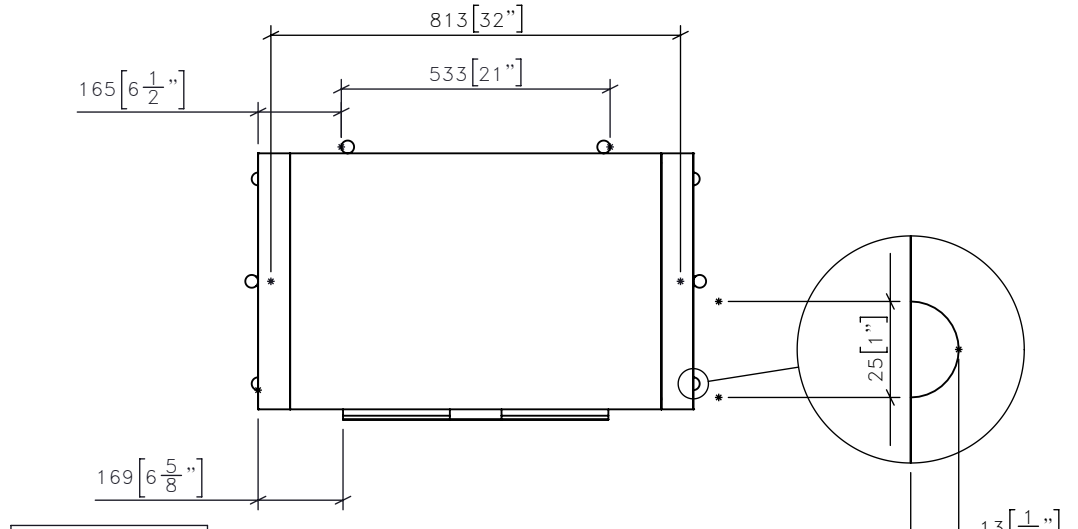
-REV/	-ISSUED FOR	-DATE



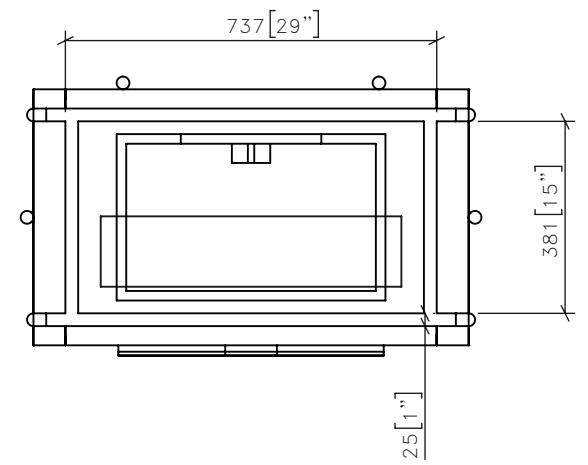
BOX STRUCTURE FOR STABILITY

1 L3-CG-06 SERVICE STATION FRONT ELEVATION
1:15

3 L3-CG-06 SERVICE STATION SIDE ELEVATION
1:15



2 L3-CG-06 SERVICE STATION PLAN
1:15

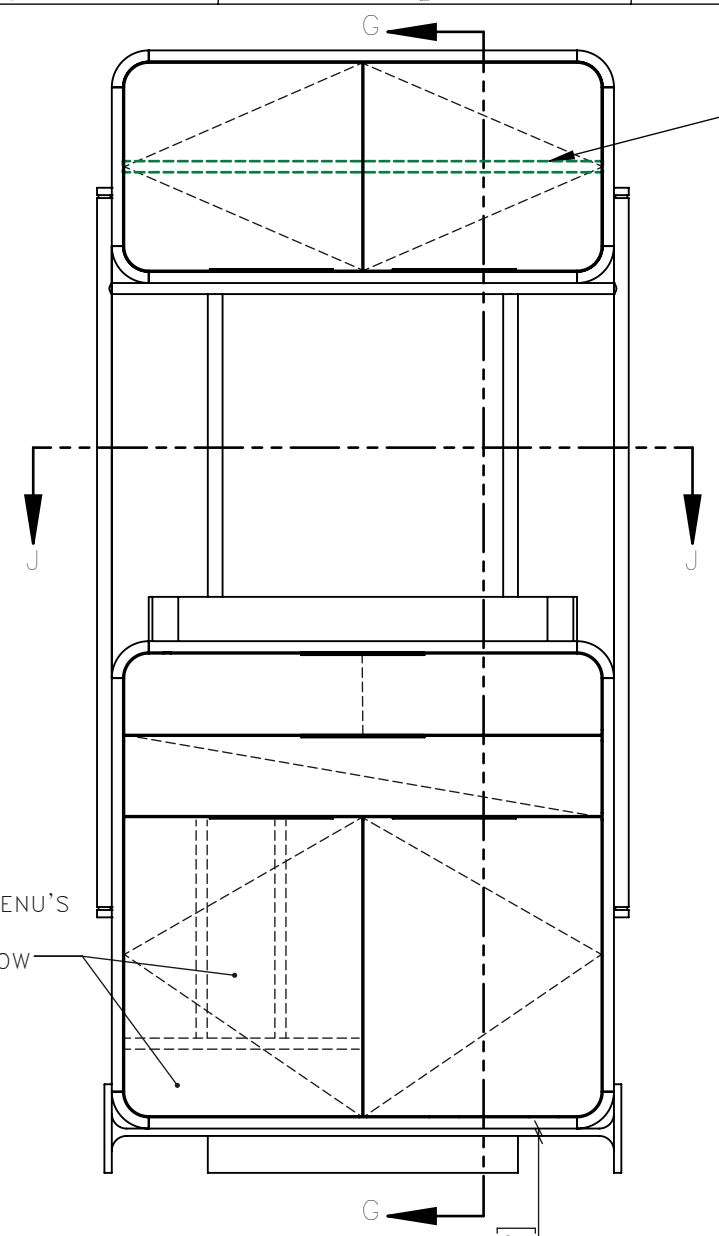


4 L3-CG-06 SERVICE STATION BOTTOM VIEW
1:15

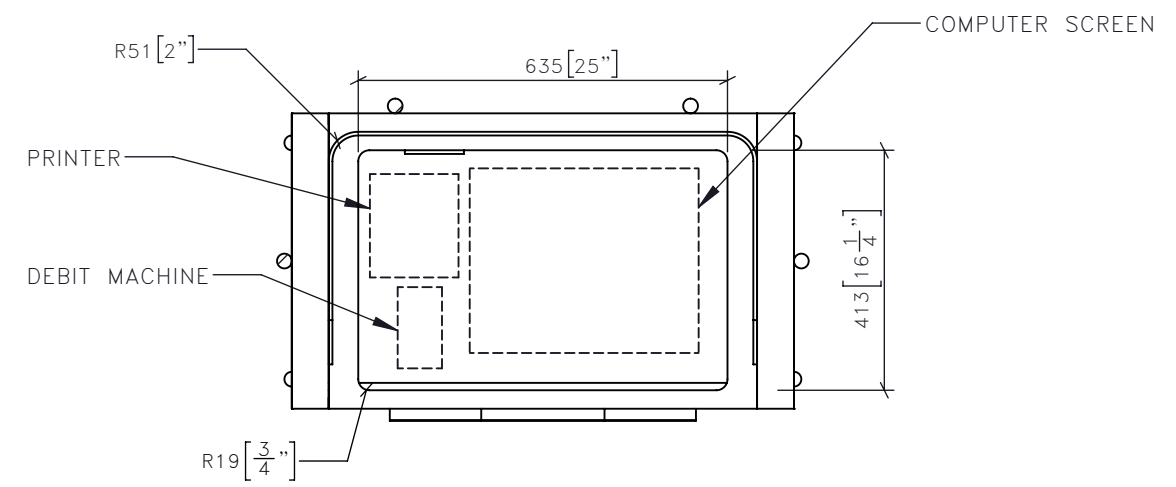
STUDIO MUNGE
 25 WINGOLD AVENUE
 TORONTO, ONTARIO
 M6B 1P8 CANADA
 416.588.1668
 STUDIOMUNGE.COM

-SCALE AS NOTED	-DATE 9/9/20
-DRAWN BY RC	-CHECKED BY
-PROJECT NAME QUEEN'S MARQUE	
-DRAWING TITLE L3-CG-06 SERVICE STATION	
-PROJECT NUMBER 17140	
-DRAWING NUMBER 1 / 4	

STUDIO MUNGE



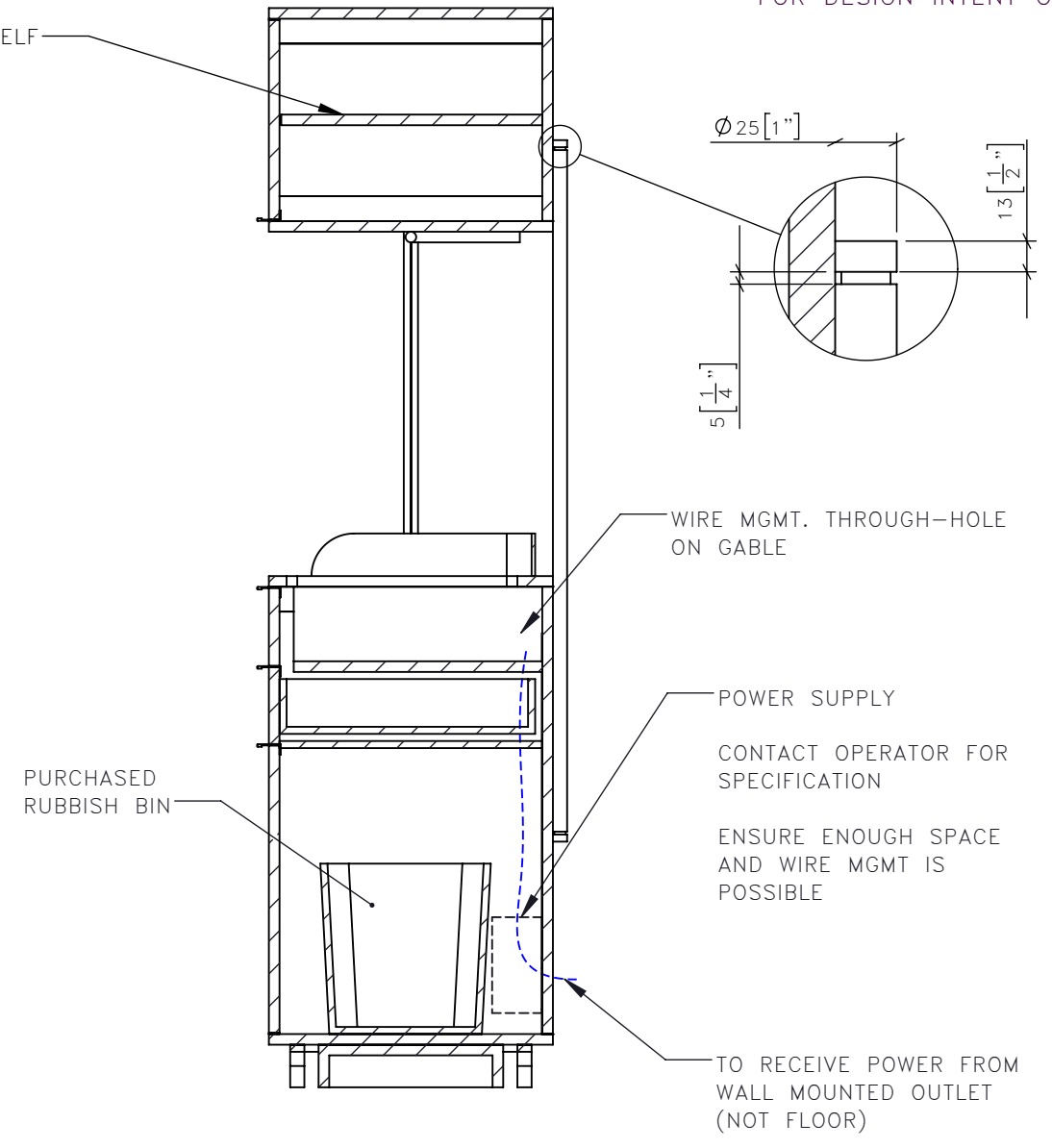
5 L3-CG-06 SERVICE STATION ISOMETRIC FRONT 1:13



6 L3-CG-06 SERVICE STATION SECTION J-J 1:13

ADJUSTABLE SHELF

FOR DESIGN INTENT ONLY



7 L3-CG-06 SERVICE STATION SECTION G-G 1:13

*UNIT NOT TO BE SECURED TO THE WALL PLEASE ENSURE PROPER STABILITY

DRAWING ARE NOT TO BE SCALED. CONTRACTOR MUST CHECK AND VERIFY ALL JOB DIMENSIONS, DRAWINGS, DETAILS AND SPECIFICATIONS; AND REPORT ANY DISCREPANCIES TO DESIGNER BEFORE PROCEEDING WITH WORK.

-REV/	-ISSUED FOR	-DATE

STUDIO MUNGE
 25 WINGOLD AVENUE
 TORONTO, ONTARIO
 M6B 1P8 CANADA
 416.588.1668
 STUDIOMUNGE.COM

-SCALE AS NOTED **-DATE** 9/9/20

-DRAWN BY RC **-CHECKED BY**

-PROJECT NAME

QUEEN'S MARQUE

-DRAWING TITLE

L3-CG-06 SERVICE STATION

-PROJECT NUMBER 17140

-DRAWING NUMBER 2 / 4


STUDIO MUNGE

FOR DESIGN INTENT ONLY
 NOTE: INTERIOR TO BE MELAMINE
 FINISH OF SIMILAR COLOUR FINISH

DRAWING ARE NOT TO BE SCALED. CONTRACTOR MUST CHECK AND VERIFY
 ALL JOB DIMENSIONS, DRAWINGS, DETAILS AND SPECIFICATIONS; AND
 REPORT ANY DISCREPANCIES TO DESIGNER BEFORE PROCEEDING WITH WORK.

-REV/	-ISSUED FOR	-DATE

FF-ML-01
 ALL PULLS BY RICHELIEU
 ALUMINUM EDGE PULL - 9898
 LENGTH TO BE 212MM



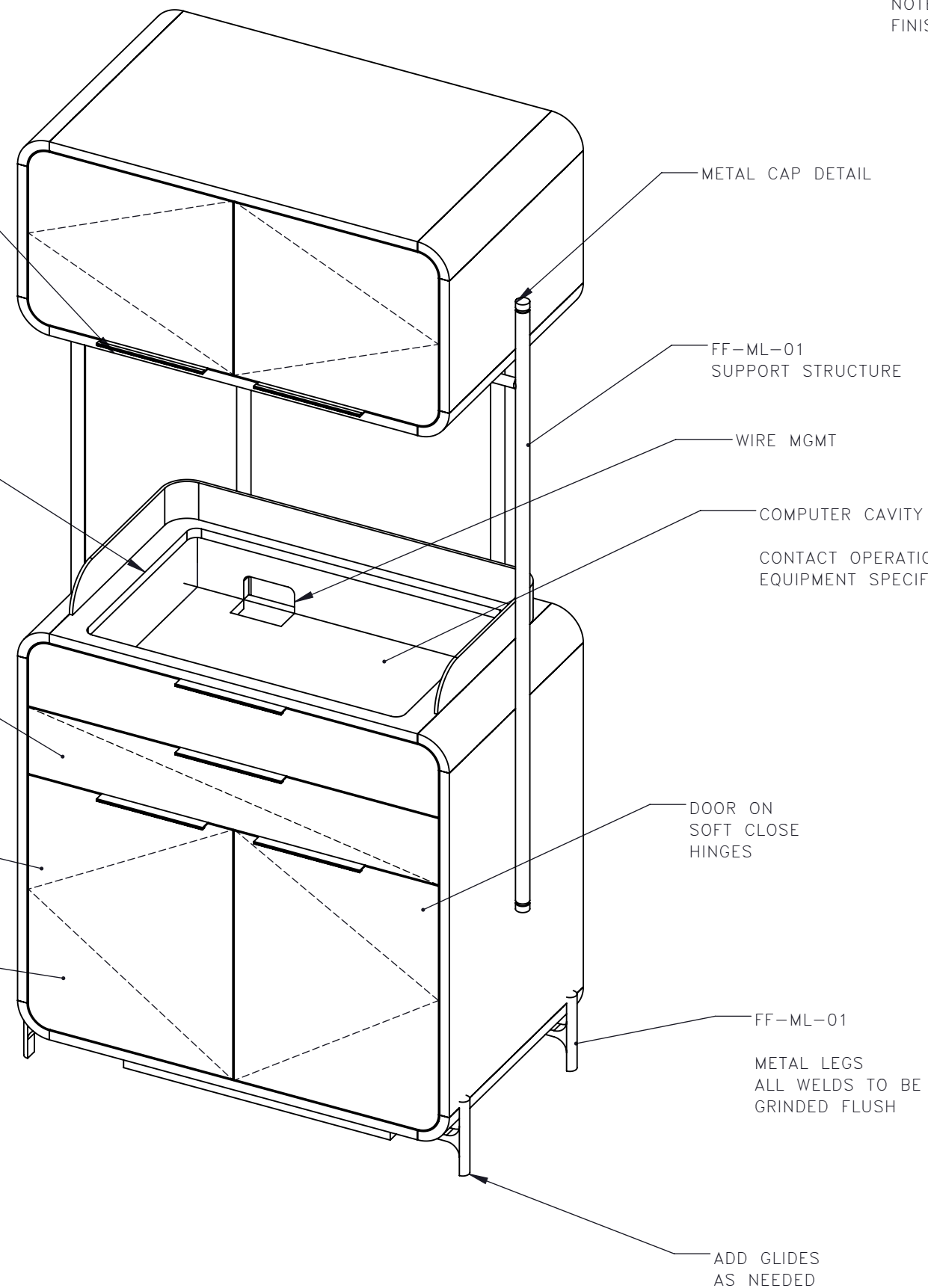
PROVIDE A COVER
 FOR CAVITY
 IN LACQUER FINISH
 FF-PT-01
 WITH SMALL SLOT
 FOR FINGER TO LIFT UP

PULL OUT DRAWER ON
 SOFT CLOSE GLIDES
 *WILL HOUSE HEAVY CASH BOX
 -USE HEAVY DUTY GLIDES

CONTACT OPERATIONS FOR
 EQUIPMENT SPEC.

DOOR ON
 SOFT CLOSE
 HINGES

FF-PT-01



METAL CAP DETAIL

FF-ML-01
 SUPPORT STRUCTURE

WIRE MGMT

COMPUTER CAVITY

CONTACT OPERATIONS FOR
 EQUIPMENT SPECIFICATIONS

DOOR ON
 SOFT CLOSE
 HINGES

FF-ML-01
 METAL LEGS
 ALL WELDS TO BE
 GRINDED FLUSH

ADD GLIDES
 AS NEEDED

**STUDIO
 MUNGE**
 25 WINGOLD AVENUE
 TORONTO, ONTARIO
 M6B 1P8 CANADA
 416.588.1668
 STUDIOMUNGE.COM

-SCALE AS NOTED	-DATE 9/9/20
-DRAWN BY RC	-CHECKED BY
-PROJECT NAME QUEEN'S MARQUE	
-DRAWING TITLE L3-CG-06 SERVICE STATION	
-PROJECT NUMBER 17140	
-DRAWING NUMBER 3 / 4	

8	L3-CG-06	SERVICE STATION ISOMETRIC VIEW
	1:10	

STUDIO MUNGE
E
F
D
C
B
A
Y

FOR DESIGN INTENT ONLY
NOTE: INTERIOR TO BE MELAMINE
FINISH OF SIMILAR COLOUR FINISH

DRAWING ARE NOT TO BE SCALED. CONTRACTOR MUST CHECK AND VERIFY ALL JOB DIMENSIONS, DRAWINGS, DETAILS AND SPECIFICATIONS; AND REPORT ANY DISCREPANCIES TO DESIGNER BEFORE PROCEEDING WITH WORK.

-REV/	-ISSUED FOR	-DATE



**STUDIO
MUNGE**
25 WINGOLD AVENUE
TORONTO, ONTARIO
M6B 1P8 CANADA
416.588.1668
STUDIOMUNGE.COM

-SCALE
AS NOTED

-DATE
9/9/20

-DRAWN BY
RC

-CHECKED BY

-PROJECT NAME

QUEEN'S MARQUE

-DRAWING TITLE

L3-CG-06
SERVICE STATION

-PROJECT NUMBER
17140

-DRAWING NUMBER
4 / 4

9	L3-CG-06	SERVICE STATION RENDERED VIEW
	1:10	