

STUDIO MUNGE

SEATING INSTRUCTONS:

- ALL SEAMS TO BE BLIND UNLESS OTHERWISE SPECIFIED
- SUBMITTAL OF SHOP DRAWINGS, FINISH SAMPLES, AND/OR PROTOTYPE TO STUDIO MUNGE FOR REVIEW AND WRITTEN APPROVAL IS REQUIRED FOR ALL PIECES SUPPLIED BY INDICATED VENDOR OR OTHER.
- TO BE TIGHT UPHOLSTERED UNLESS OTHERWISE SPECIFIED
- DRAWINGS PROVIDED ARE FOR DESIGN INTENT ONLY
- PROVIDE CONTRACT QUALITY LOW PROFILE LEVELERS AS REQUIRED
- PROVIDE CONTRACT QUALITY LOW PROFILE GLIDES TO PROTECT FLOOR FROM SCRATCHING
- REFER TO DRAWINGS FOR DETAILS
- HARDWARE TO BE HIDDEN UNLESS OTHERWISE SPECIFIED
- HARDWARE TO BE REVIEWED AND APPROVED BY SM
- MANUFACTURER TO ENSURE NO ISSUE WITH SITE ACCESS AND CLEARANCE FOR DELIVERY AND INSTALLATION
- PURCHASING AGENT TO SUBMIT ALL NEW SUBSTITUTIONS TO STUDIO MUNGE FOR WRITTEN APPROVAL PRIOR TO MANUFACTURING AND PURCHASING

ACCESSORY CODE	DESCRIPTION
FB-AC-08A	18" X 18" PILLOW X 2 REFER TO CUTSHEET
FB-AC-08B	16" X 16" PILLOW X 2 REFER TO CUTSHEET
REQUIRED ITEM(S) FOR DESIGNER APPROVAL PRIOR TO FABRICATION	
<input type="checkbox"/> SEAMING DIAGRAM <input type="checkbox"/> SHOP DRAWINGS <input type="checkbox"/> PROTOTYPE <input type="checkbox"/> FINISH SAMPLE	

DRAWING ARE NOT TO BE SCALED. CONTRACTOR MUST CHECK AND VERIFY ALL JOB DIMENSIONS, DRAWINGS, DETAILS AND SPECIFICATIONS; AND REPORT ANY DISCREPANCIES TO DESIGNER BEFORE PROCEEDING WITH WORK.

-REV/	-ISSUED FOR	-DATE

STUDIO MUNGE

25 WINGOLD AVENUE
TORONTO, ONTARIO
M6B 1P8 CANADA
416.588.1668
STUDIOMUNGE.COM

MATERIAL INSTRUCTONS:

-MATERIALS TO BE OUTDOOR GRADE WHEN REQUIRED AND SPECIFIED IN DRAWINGS AND ORDER

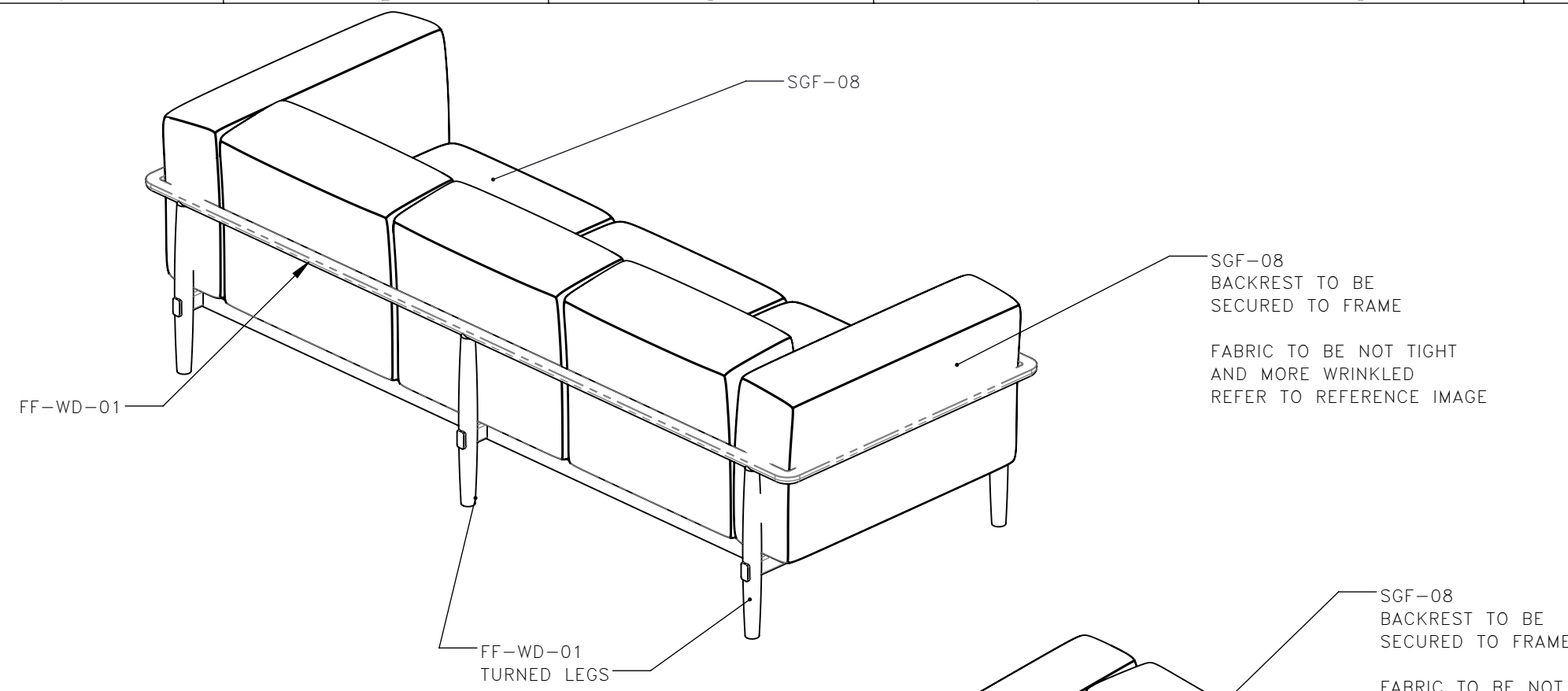
MATERIAL CODE	DESCRIPTION	COLOR/FINISH
SGF-08	REFER TO FABRIC CUTSHEET	REFER TO FINISH CUTSHEET
FF-WD-01	SOLID FLAT CUT WALNUT -FREE OF KNOTS	REFER TO FINISH CUTSHEET



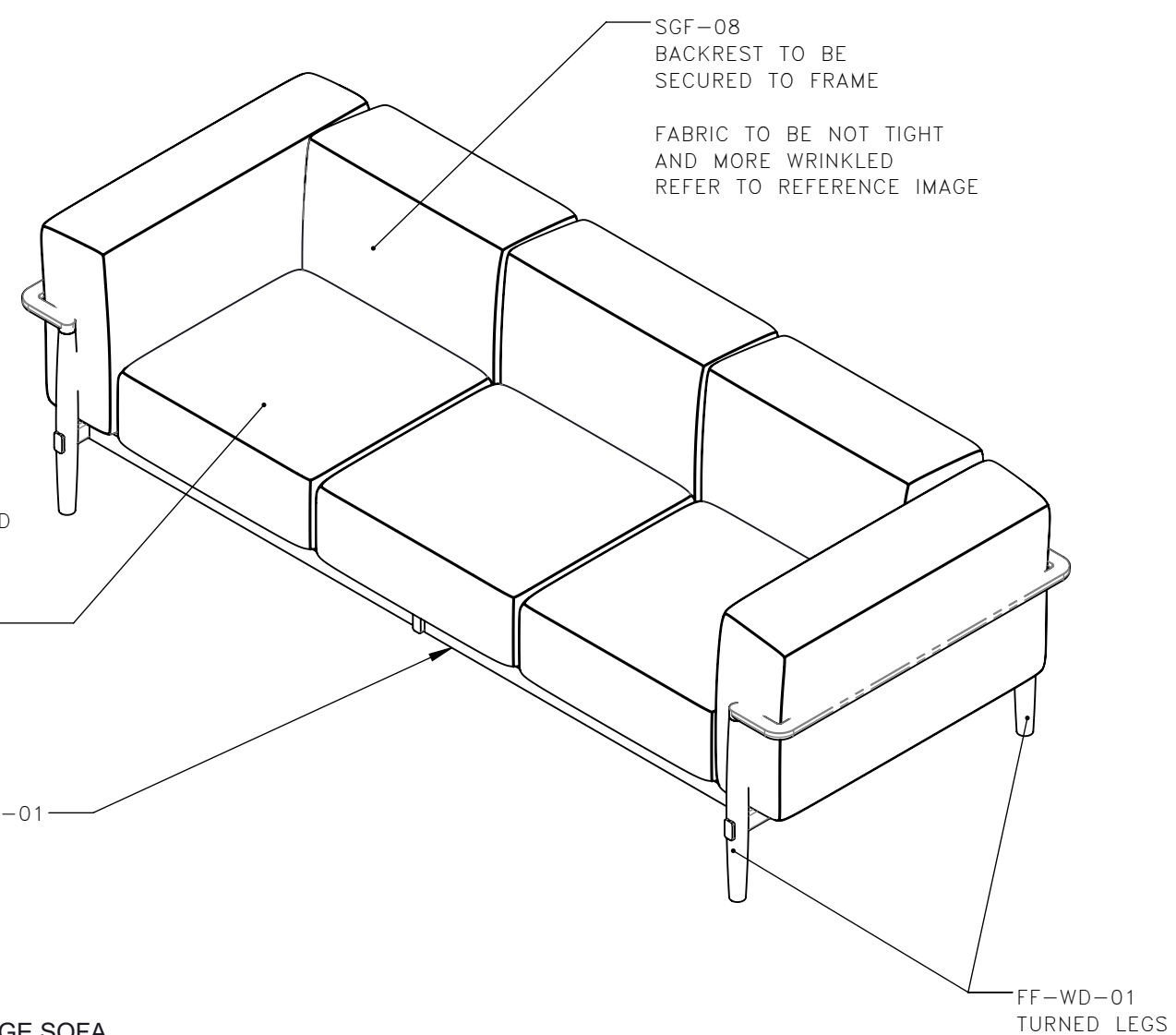
-SCALE AS NOTED	-DATE 8/10/20
-DRAWN BY RC	-CHECKED BY
-PROJECT NAME	
QUEEN'S MARQUE	
-DRAWING TITLE	
FB-SG-08 LOUNGE SOFA	
-PROJECT NUMBER	
17140	
-DRAWING NUMBER	
1 / 5	

DRAWING ARE NOT TO BE SCALED. CONTRACTOR MUST CHECK AND VERIFY ALL JOB DIMENSIONS, DRAWINGS, DETAILS AND SPECIFICATIONS; AND REPORT ANY DISCREPANCIES TO DESIGNER BEFORE PROCEEDING WITH WORK.

-REV/	-ISSUED FOR	-DATE



1 | FB-SG-08 | LOUNGE SOFA ISOMETRIC REAR
1:16



SGF-08 SEAT CUSHION TO BE REVERSIBLE AND SECURED TO FRAME WITH D-CLIPS

SEAT TO HAVE REMOVABLE SLIP COVER FOR CLEANING

-USE SYNTHETIC FILLED DOWN QUILT FOR CUSHIONS

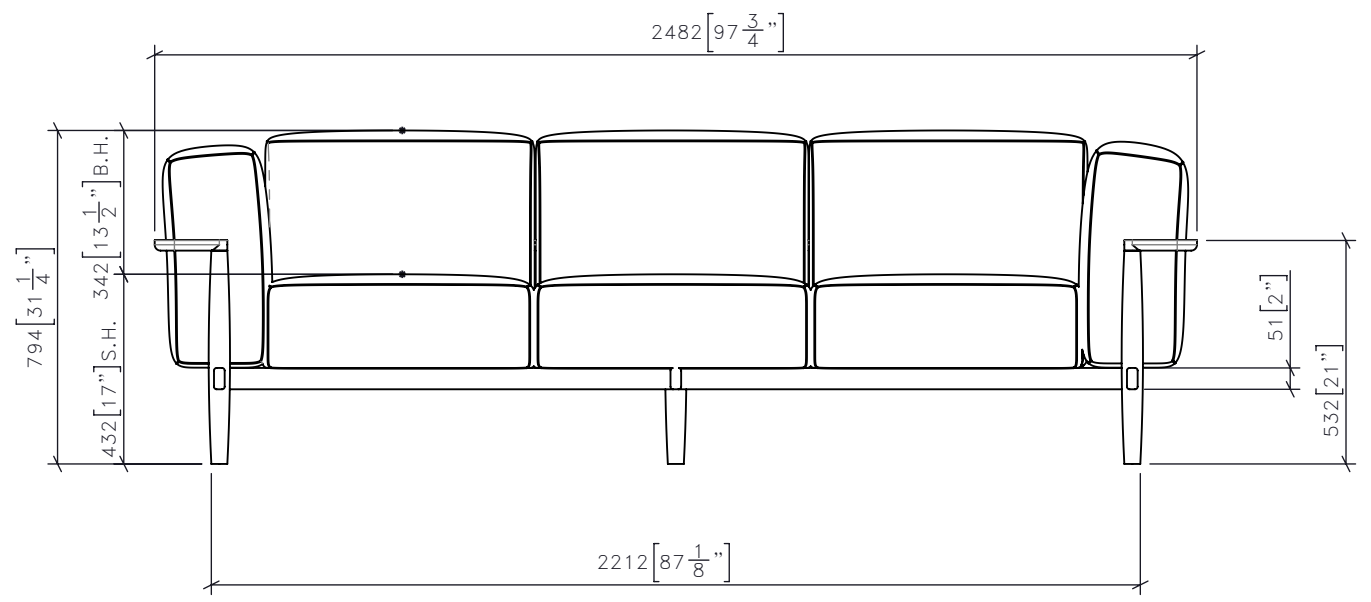
2 | FB-SG-08 | LOUNGE SOFA ISOMETRIC FRONT
1:16

STUDIO MUNGE
25 WINGOLD AVENUE
TORONTO, ONTARIO
M6B 1P8 CANADA
416.588.1668
STUDIOMUNGE.COM

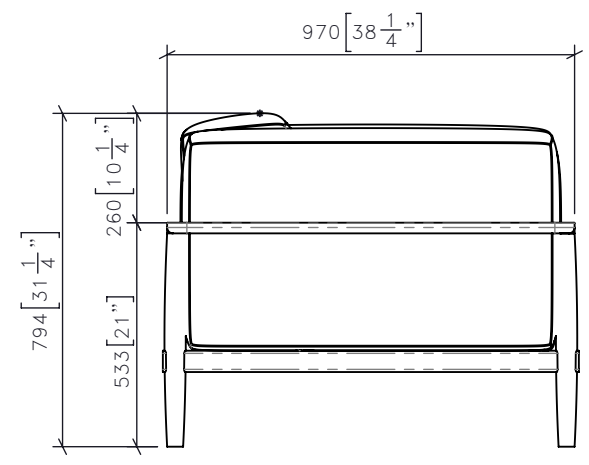
-SCALE AS NOTED	-DATE 8/10/20
-DRAWN BY RC	-CHECKED BY
-PROJECT NAME QUEEN'S MARQUE	
-DRAWING TITLE FB-SG-08 LOUNGE SOFA	
-PROJECT NUMBER 17140	
-DRAWING NUMBER 2 / 5	

DRAWING ARE NOT TO BE SCALED. CONTRACTOR MUST CHECK AND VERIFY ALL JOB DIMENSIONS, DRAWINGS, DETAILS AND SPECIFICATIONS; AND REPORT ANY DISCREPANCIES TO DESIGNER BEFORE PROCEEDING WITH WORK.

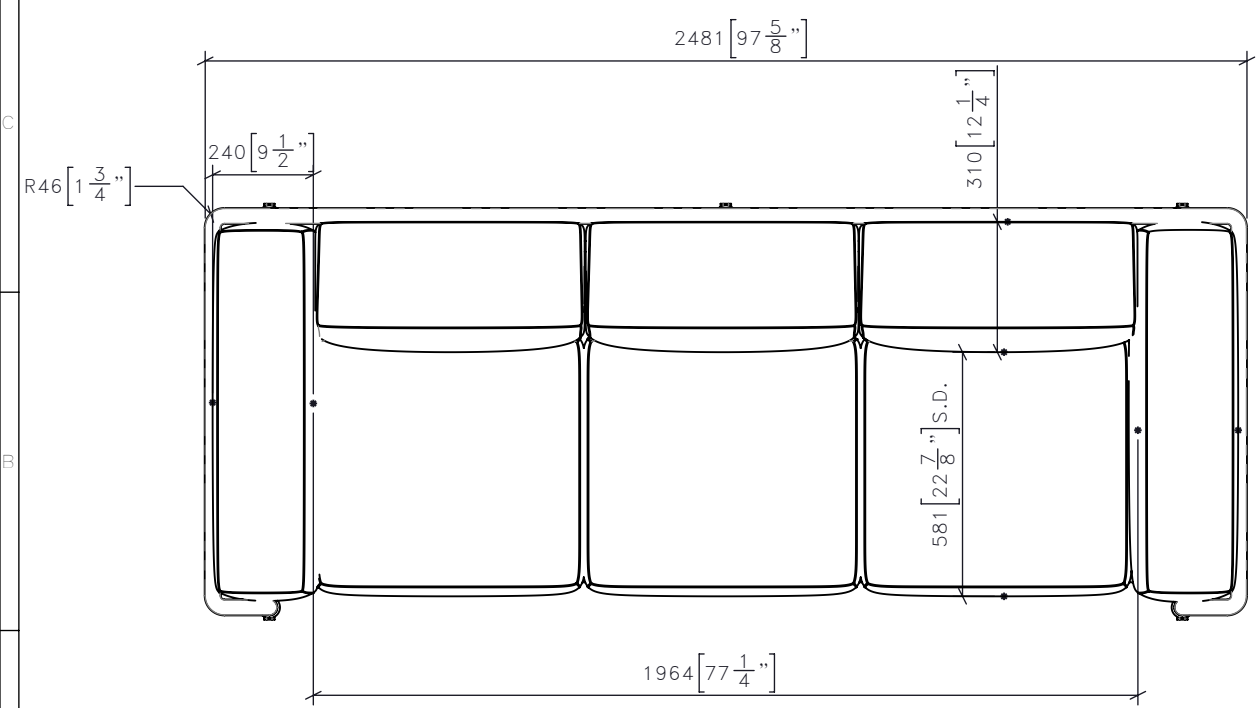
-REV/	-ISSUED FOR	-DATE



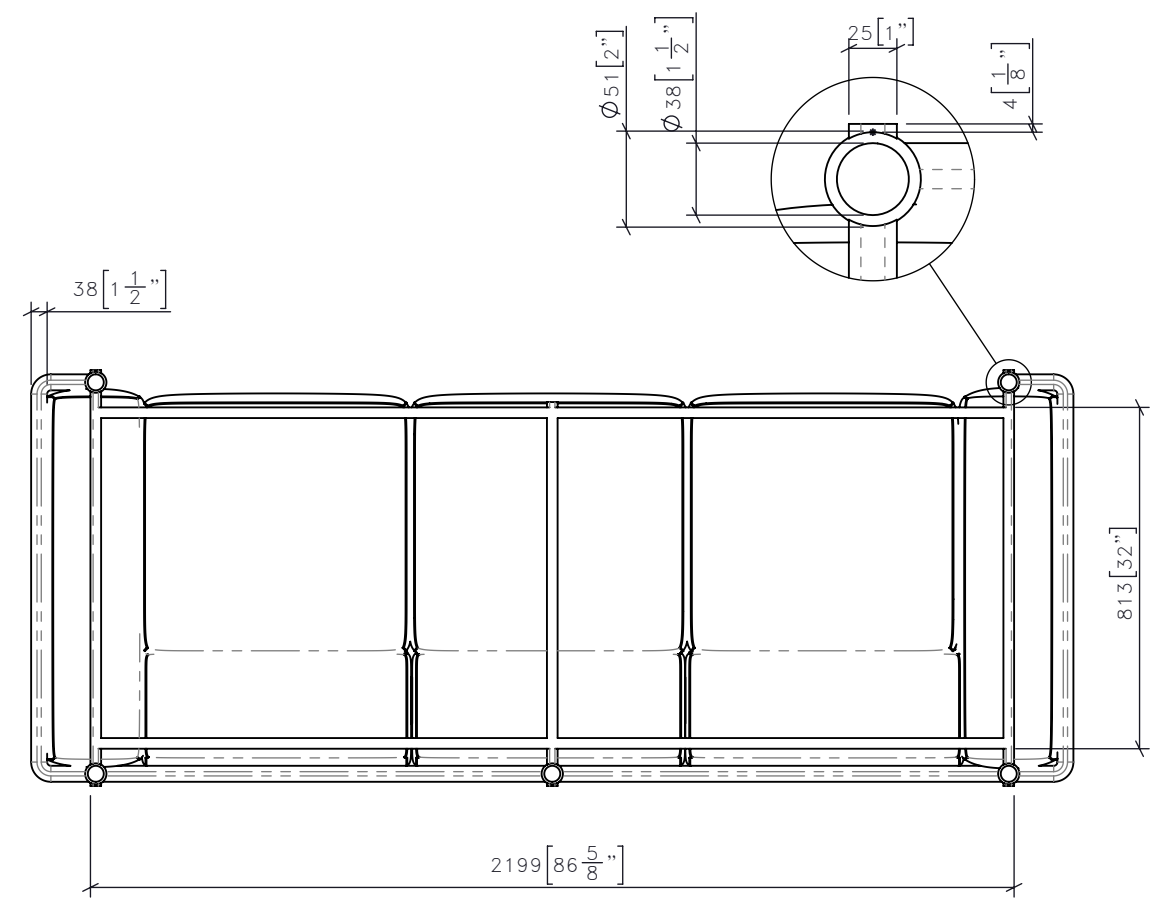
3 FB-SG-08 LOUNGE SOFA
1:18 FRONT ELEVATION



5 FB-SG-08 LOUNGE SOFA
1:18 BACK ELEVATION



4 FB-SG-08 LOUNGE SOFA
1:18 PLAN



6 FB-SG-08 LOUNGE SOFA
1:18 BOTTOM PLAN

STUDIO MUNGE
25 WINGOLD AVENUE
TORONTO, ONTARIO
M6B 1P8 CANADA
416.588.1668
STUDIOMUNGE.COM

-SCALE AS NOTED
-DATE 8/10/20

-DRAWN BY RC
-CHECKED BY

-PROJECT NAME

QUEEN'S MARQUE

-DRAWING TITLE

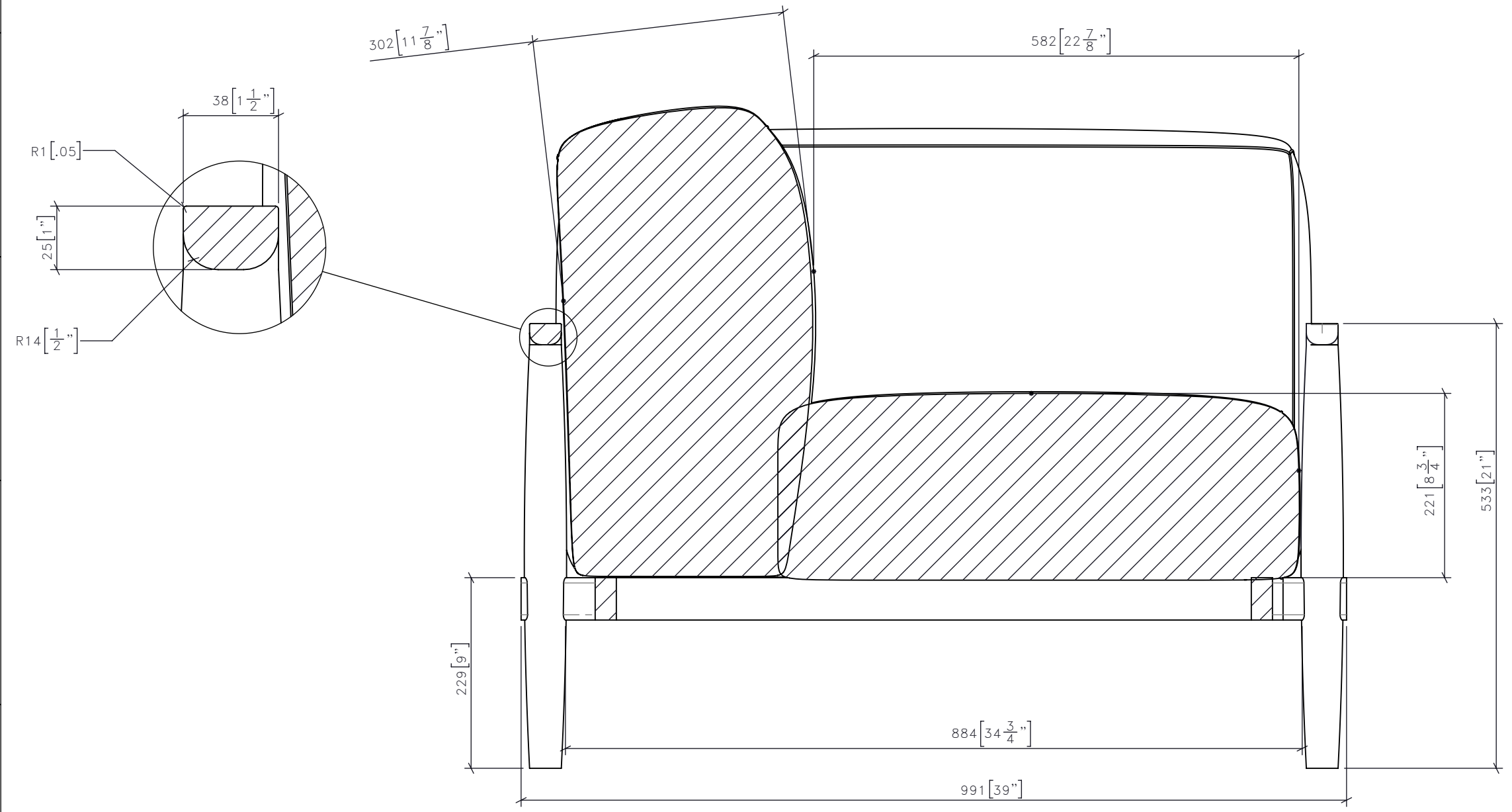
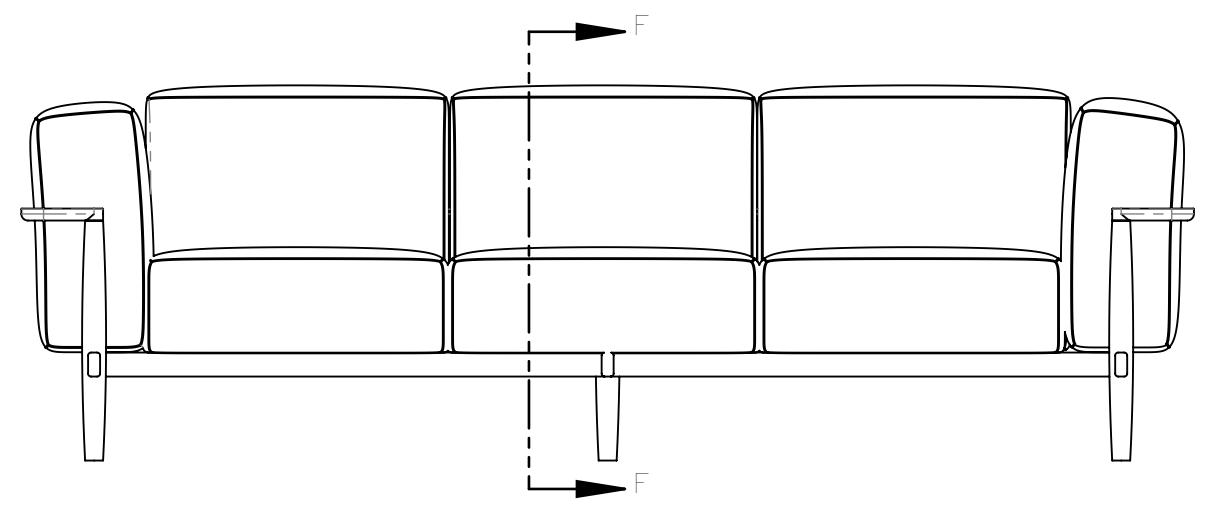
FB-SG-08
LOUNGE SOFA

-PROJECT NUMBER
17140

-DRAWING NUMBER
3 / 5

DRAWING ARE NOT TO BE SCALED. CONTRACTOR MUST CHECK AND VERIFY ALL JOB DIMENSIONS, DRAWINGS, DETAILS AND SPECIFICATIONS, AND REPORT ANY DISCREPANCIES TO DESIGNER BEFORE PROCEEDING WITH WORK.

-REV/	-ISSUED FOR	-DATE



STUDIO MUNGE
 25 WINGOLD AVENUE
 TORONTO, ONTARIO
 M6B 1P8 CANADA
 416.588.1668
 STUDIOMUNGE.COM

-SCALE
AS NOTED

-DATE
8/10/20

-DRAWN BY
RC

-CHECKED BY

-PROJECT NAME

QUEEN'S MARQUE

-DRAWING TITLE

FB-SG-08
LOUNGE SOFA

-PROJECT NUMBER
17140

-DRAWING NUMBER
4 / 5

7 | FB-SG-08 | LOUNGE SOFA
1:16 | SECTION F-F

STUDIO MUNGE

IMAGE AS REFERENCE FOR THE CUSHIONS LOOK ONLY



9 | FB-SG-08 | LOUNGE SOFA
1:8 | RENDERED VIEW

DRAWING ARE NOT TO BE SCALED. CONTRACTOR MUST CHECK AND VERIFY ALL JOB DIMENSIONS, DRAWINGS, DETAILS AND SPECIFICATIONS; AND REPORT ANY DISCREPANCIES TO DESIGNER BEFORE PROCEEDING WITH WORK.

-REV/	-ISSUED FOR	-DATE

STUDIO MUNGE
 25 WINGOLD AVENUE
 TORONTO, ONTARIO
 M6B 1P8 CANADA
 416.588.1668
 STUDIOMUNGE.COM

-SCALE AS NOTED	-DATE 8/10/20
-DRAWN BY RC	-CHECKED BY
-PROJECT NAME QUEEN'S MARQUE	
-DRAWING TITLE FB-SG-08 LOUNGE SOFA	
-PROJECT NUMBER 17140	
-DRAWING NUMBER 5 / 5	