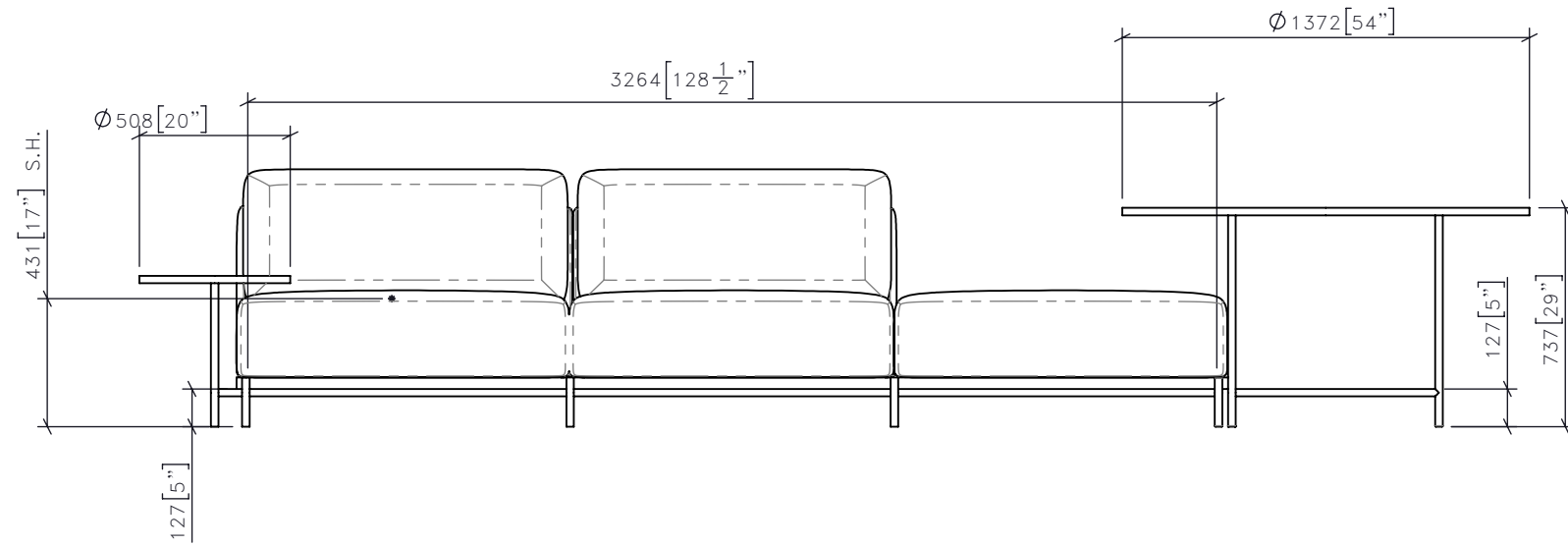
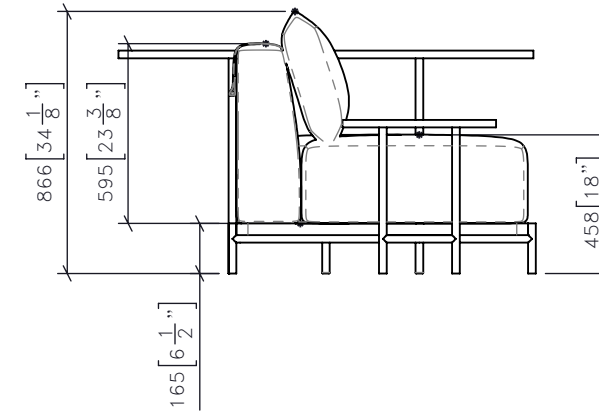


FOR DESIGN INTENT ONLY

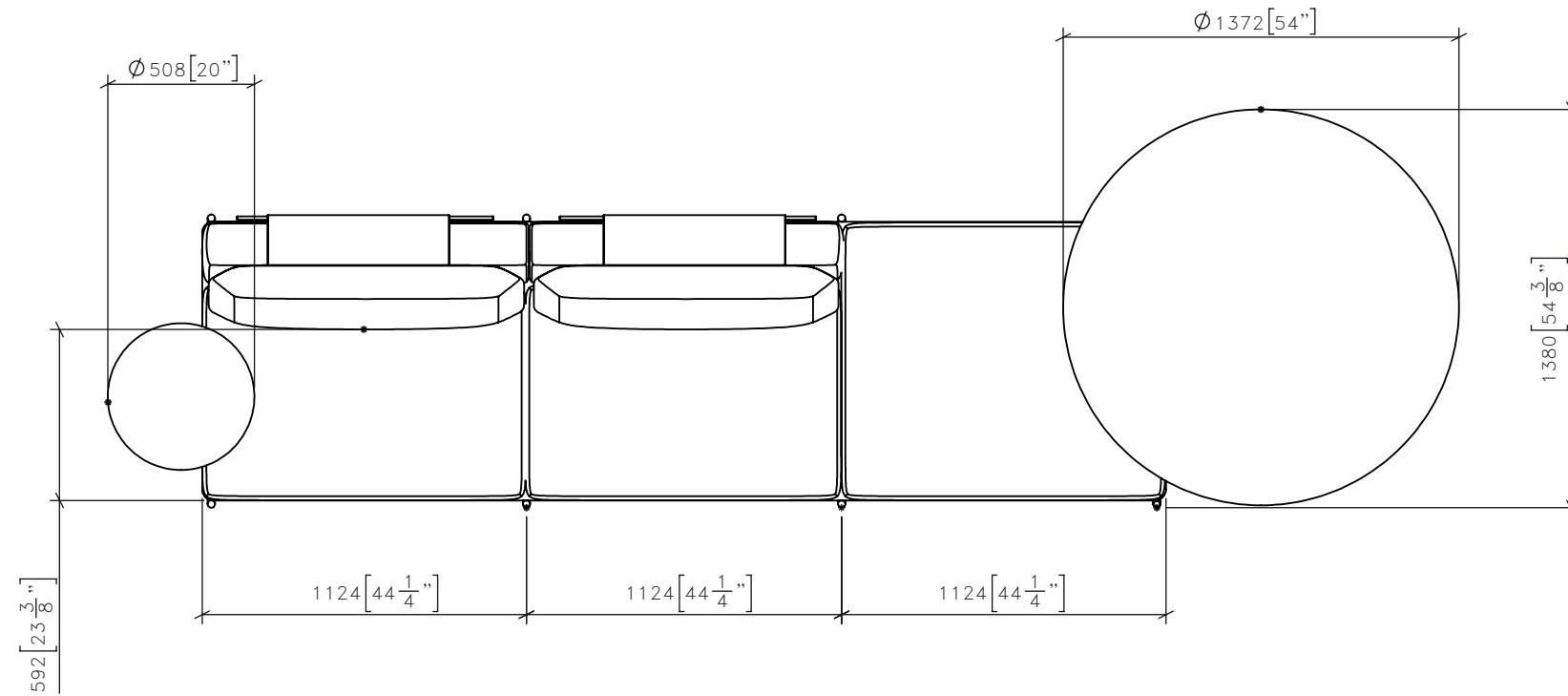
DRAWING ARE NOT TO BE SCALED. CONTRACTOR MUST CHECK AND VERIFY ALL JOB DIMENSIONS, DRAWINGS, DETAILS AND SPECIFICATIONS; AND REPORT ANY DISCREPANCIES TO DESIGNER BEFORE PROCEEDING WITH WORK.



1 | SG-04 | LOBBY SOFA
1:25 | FRONT ELEVATION



3 | SG-04 | LOBBY SOFA
1:25 | SIDE ELEVATION



2 | SG-04 | LOBBY SOFA
1:25 | PLAN

-REV/	-ISSUED FOR	-DATE

STUDIO MUNGE
25 WINGOLD AVENUE
TORONTO, ONTARIO
M6B 1P8 CANADA
416.588.1668
STUDIOMUNGE.COM

-SCALE AS NOTED
-DATE 2020-03-31

-DRAWN BY RC
-CHECKED BY

-PROJECT NAME
QUEENS MARQUE

-DRAWING TITLE
SG-04
LOBBY SOFA

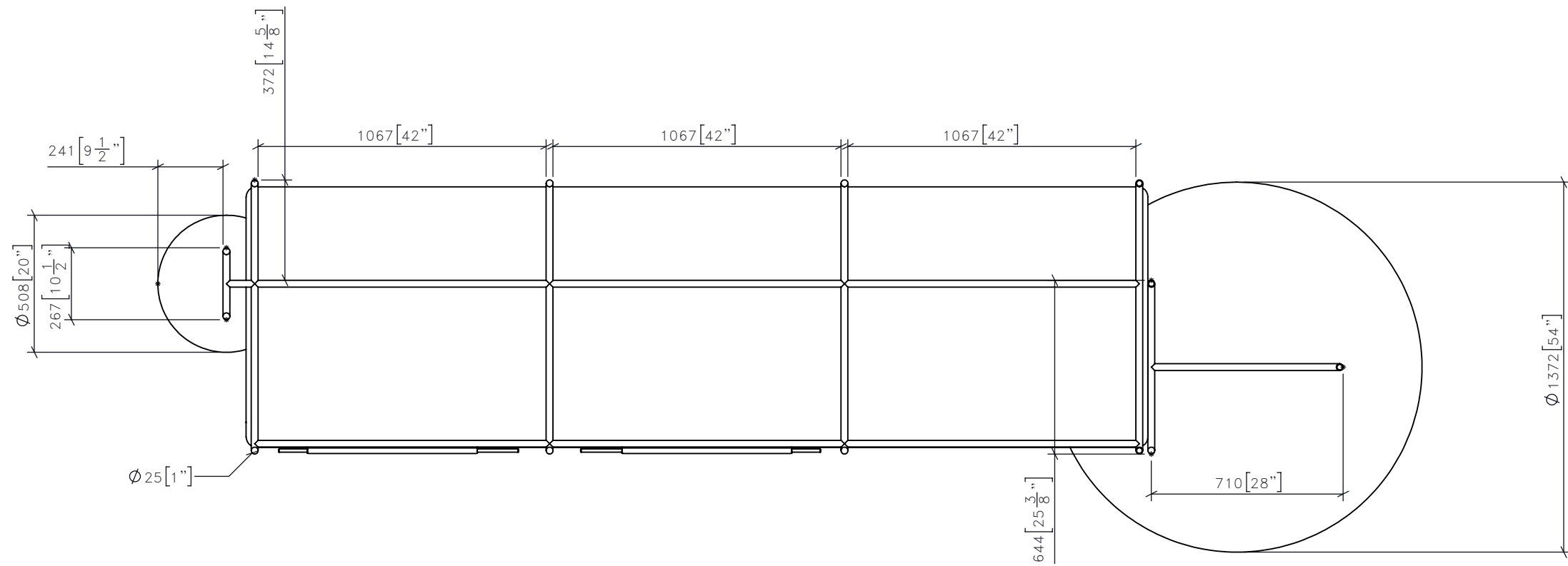
-PROJECT NUMBER
17140

-DRAWING NUMBER
1 / 6

FOR DESIGN INTENT ONLY

DRAWING ARE NOT TO BE SCALED. CONTRACTOR MUST CHECK AND VERIFY ALL JOB DIMENSIONS, DRAWINGS, DETAILS AND SPECIFICATIONS; AND REPORT ANY DISCREPANCIES TO DESIGNER BEFORE PROCEEDING WITH WORK.

-REV/	-ISSUED FOR	-DATE



STUDIO MUNGE
 25 WINGOLD AVENUE
 TORONTO, ONTARIO
 M6B 1P8 CANADA
 416.588.1668
 STUDIOMUNGE.COM

-SCALE
AS NOTED

-DATE
2020-03-31

-DRAWN BY
RC

-CHECKED BY

-PROJECT NAME

QUEENS MARQUE

-DRAWING TITLE

SG-04
LOBBY SOFA

-PROJECT NUMBER
17140

-DRAWING NUMBER
2 / 6

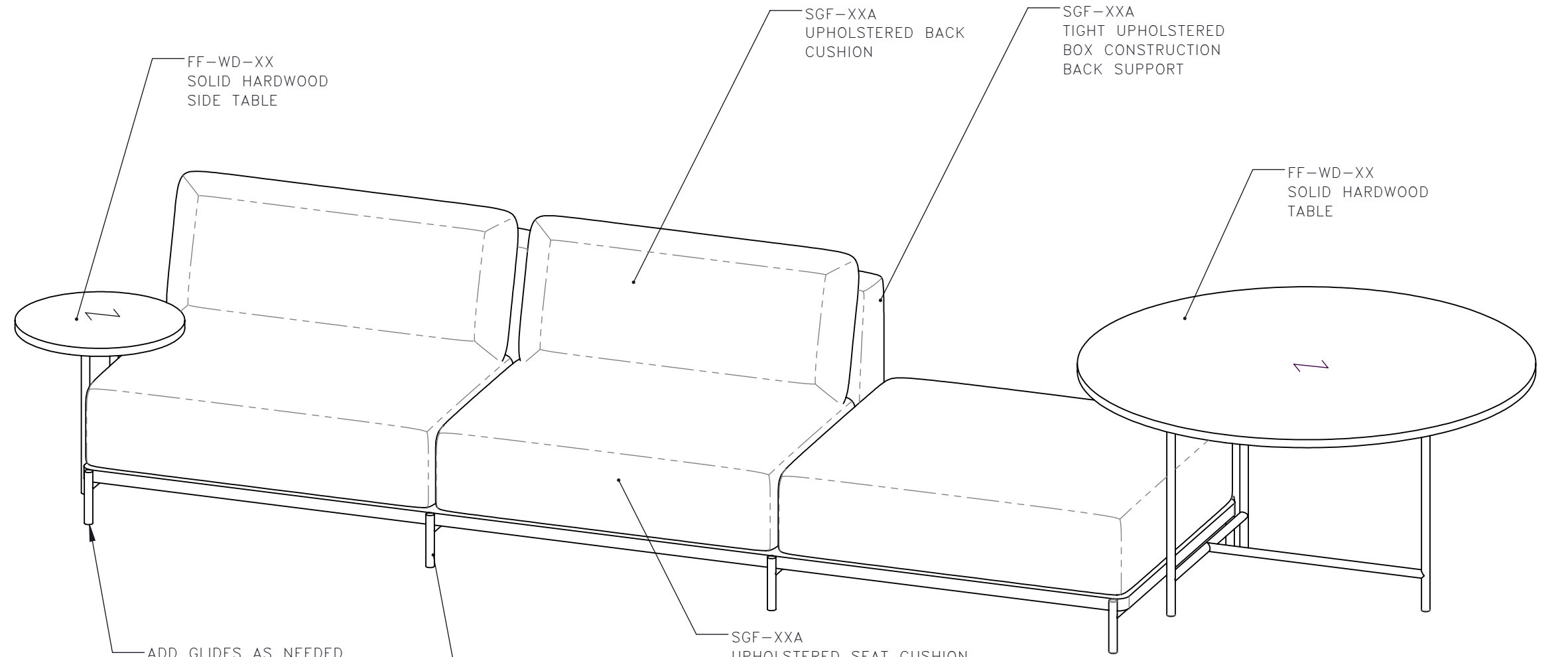
4	SG-04	LOBBY SOFA BOTTOM VIEW
	1:20	

STUDIO MUNGE

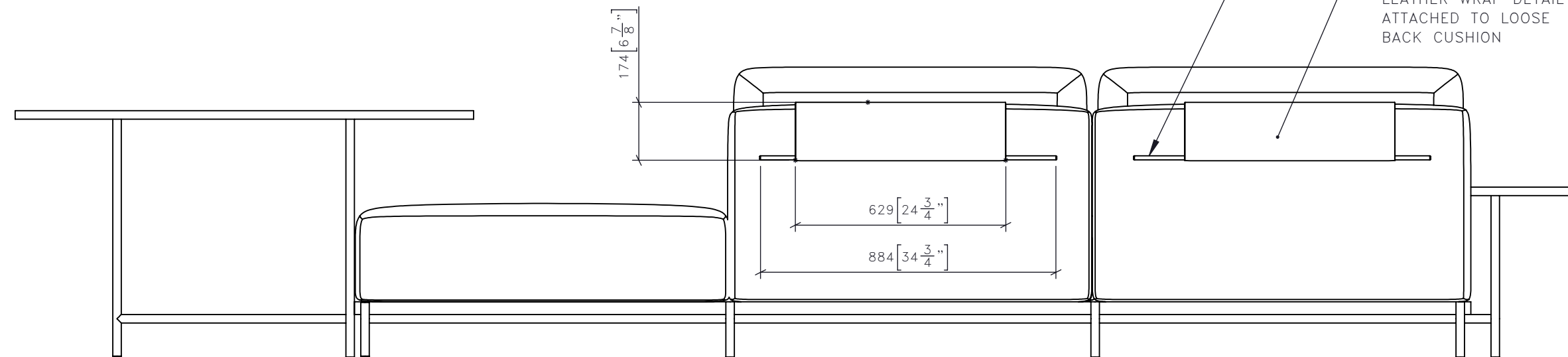
NOTE: 1/8" ROUND ON ALL WOODEN EDGES

FOR DESIGN INTENT ONLY

DRAWING ARE NOT TO BE SCALED. CONTRACTOR MUST CHECK AND VERIFY ALL JOB DIMENSIONS, DRAWINGS, DETAILS AND SPECIFICATIONS; AND REPORT ANY DISCREPANCIES TO DESIGNER BEFORE PROCEEDING WITH WORK.



5 | SG-04 | LOBBY SOFA
1:15 | ISOMETRIC FRONT



6 | SG-04 | LOBBY SOFA
1:15 | REAR ELEVATION

-REV/	-ISSUED FOR	-DATE

STUDIO MUNGE
 25 WINGOLD AVENUE
 TORONTO, ONTARIO
 M6B 1P8 CANADA
 416.588.1668
 STUDIOMUNGE.COM

-SCALE AS NOTED	-DATE 2020-03-31
-DRAWN BY RC	-CHECKED BY
-PROJECT NAME QUEENS MARQUE	
-DRAWING TITLE SG-04 LOBBY SOFA	
-PROJECT NUMBER 17140	
-DRAWING NUMBER 3 / 6	

STUDIO MUNGE
E
F
D
C
B
A
Y

FOR DESIGN INTENT ONLY

DRAWING ARE NOT TO BE SCALED. CONTRACTOR MUST CHECK AND VERIFY ALL JOB DIMENSIONS, DRAWINGS, DETAILS AND SPECIFICATIONS; AND REPORT ANY DISCREPANCIES TO DESIGNER BEFORE PROCEEDING WITH WORK.

-REV/	-ISSUED FOR	-DATE



STUDIO MUNGE
25 WINGOLD AVENUE
TORONTO, ONTARIO
M6B 1P8 CANADA
416.588.1668
STUDIOMUNGE.COM

-SCALE
AS NOTED

-DATE
2020-03-31

-DRAWN BY
RC

-CHECKED BY

-PROJECT NAME

QUEENS MARQUE

-DRAWING TITLE

SG-04
LOBBY SOFA

-PROJECT NUMBER

17140

-DRAWING NUMBER

4 / 6

7	SG-04 1:15	LOBBY SOFA RENDERED VIEW
----------	---------------	-----------------------------

STUDIO MUNGE
E
F
D
C
B
A
Y

FOR DESIGN INTENT ONLY

DRAWING ARE NOT TO BE SCALED. CONTRACTOR MUST CHECK AND VERIFY ALL JOB DIMENSIONS, DRAWINGS, DETAILS AND SPECIFICATIONS; AND REPORT ANY DISCREPANCIES TO DESIGNER BEFORE PROCEEDING WITH WORK.

-REV/	-ISSUED FOR	-DATE



STUDIO MUNGE
25 WINGOLD AVENUE
TORONTO, ONTARIO
M6B 1P8 CANADA
416.588.1668
STUDIOMUNGE.COM

-SCALE
AS NOTED

-DATE
2020-03-31

-DRAWN BY
RC

-CHECKED BY

-PROJECT NAME
QUEENS MARQUE

-DRAWING TITLE
SG-04
LOBBY SOFA

-PROJECT NUMBER
17140

-DRAWING NUMBER
5 / 6

8	SG-04	LOBBY SOFA RENDERED VIEW
	1:15	

STUDIO MUNGE
E
D
C
B
A
Y

FOR DESIGN INTENT ONLY

DRAWING ARE NOT TO BE SCALED. CONTRACTOR MUST CHECK AND VERIFY ALL JOB DIMENSIONS, DRAWINGS, DETAILS AND SPECIFICATIONS; AND REPORT ANY DISCREPANCIES TO DESIGNER BEFORE PROCEEDING WITH WORK.

-REV/	-ISSUED FOR	-DATE

STUDIO MUNGE
25 WINGOLD AVENUE
TORONTO, ONTARIO
M6B 1P8 CANADA
416.588.1668
STUDIOMUNGE.COM

-SCALE
AS NOTED

-DATE
2020-03-31

-DRAWN BY
RC

-CHECKED BY

-PROJECT NAME

QUEENS MARQUE

-DRAWING TITLE

SG-04
LOBBY SOFA

-PROJECT NUMBER
17140

-DRAWING NUMBER
6 / 6



9	SG-04	LOBBY SOFA RENDERED VIEW
	1:15	