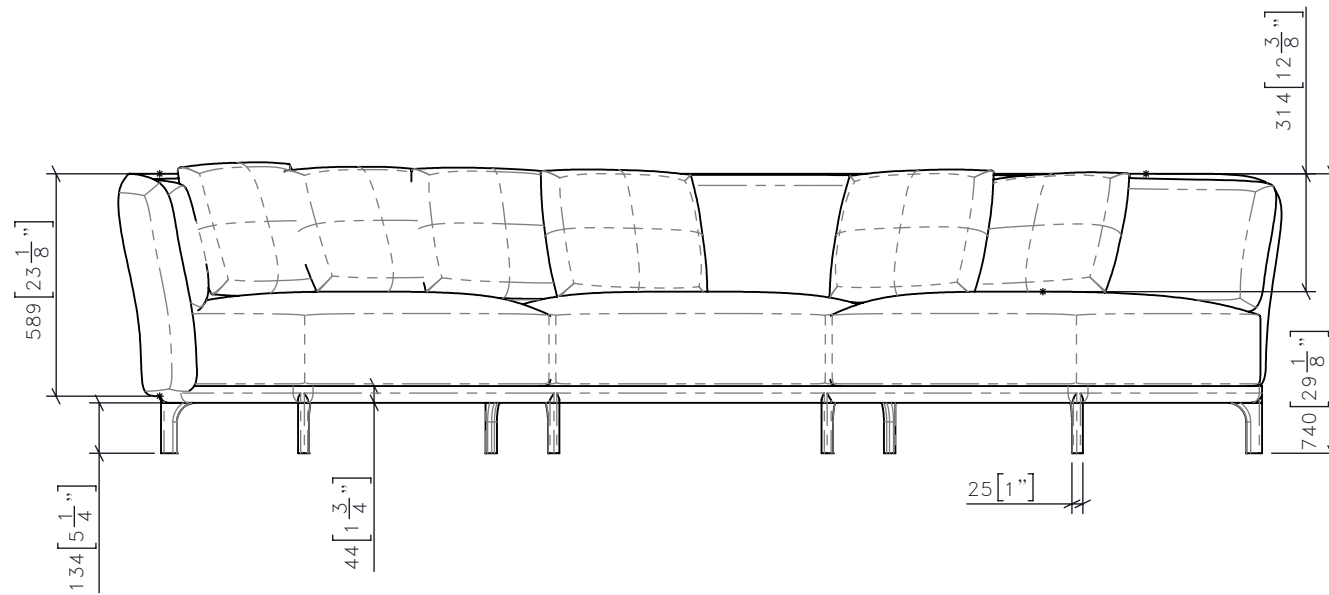


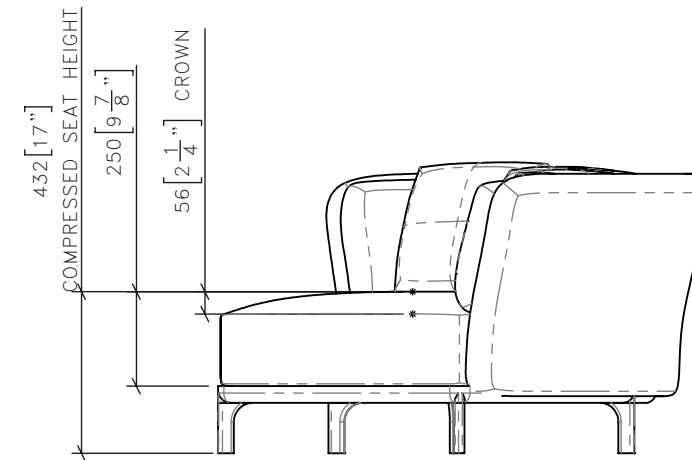
FOR DESIGN INTENT ONLY

DRAWING ARE NOT TO BE SCALED. CONTRACTOR MUST CHECK AND VERIFY ALL JOB DIMENSIONS, DRAWINGS, DETAILS AND SPECIFICATIONS; AND REPORT ANY DISCREPANCIES TO DESIGNER BEFORE PROCEEDING WITH WORK.

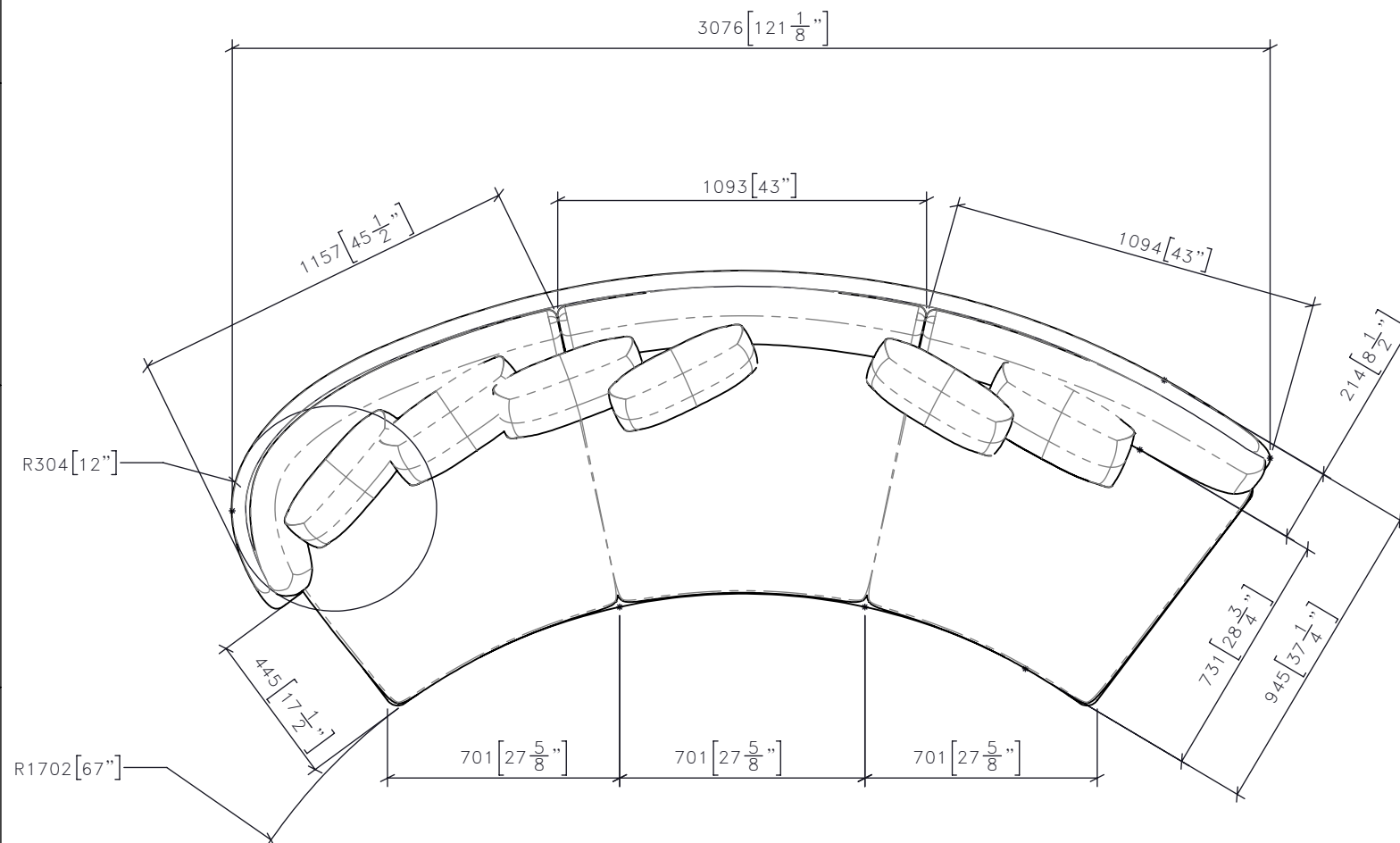
-REV/	-ISSUED FOR	-DATE



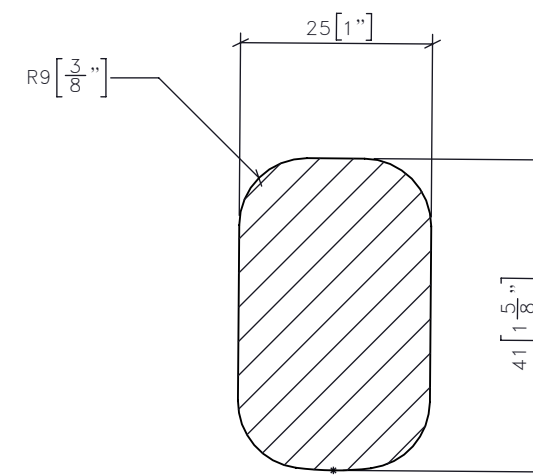
**1** CG-XX  
1:20 PS SOFA MIRROR  
FRONT ELEVATION



**2** CG-XX  
1:20 PS SOFA MIRROR  
SIDE ELEVATION



**3** CG-XX  
1:20 PS SOFA MIRROR  
PLAN VIEW



**STUDIO MUNGE**  
25 WINGOLD AVENUE  
TORONTO, ONTARIO  
M6B 1P8 CANADA  
416.588.1668  
STUDIOMUNGE.COM

-SCALE AS NOTED  
-DATE 2020-04-15

-DRAWN BY RC  
-CHECKED BY

-PROJECT NAME

QUEEN'S MARQUE

-DRAWING TITLE

CG-XX  
PS SOFA MIRROR

-PROJECT NUMBER  
17140

-DRAWING NUMBER  
1 / 4

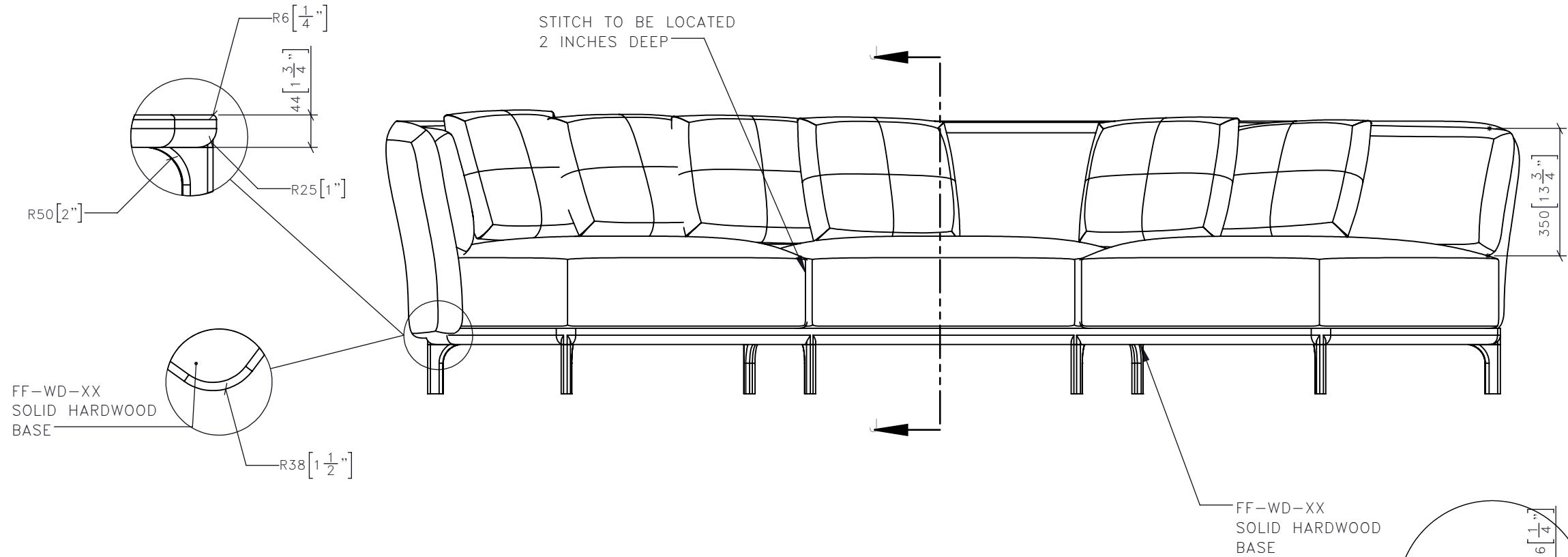
STUDIO MUNGE

FOR DESIGN INTENT ONLY

DRAWING ARE NOT TO BE SCALED. CONTRACTOR MUST CHECK AND VERIFY ALL JOB DIMENSIONS, DRAWINGS, DETAILS AND SPECIFICATIONS; AND REPORT ANY DISCREPANCIES TO DESIGNER BEFORE PROCEEDING WITH WORK.

STITCH CUSHIONS TOGETHER TO PREVENT FEELING AWAY UNDER SIT PRESSUE

STITCH TO BE LOCATED 2 INCHES DEEP

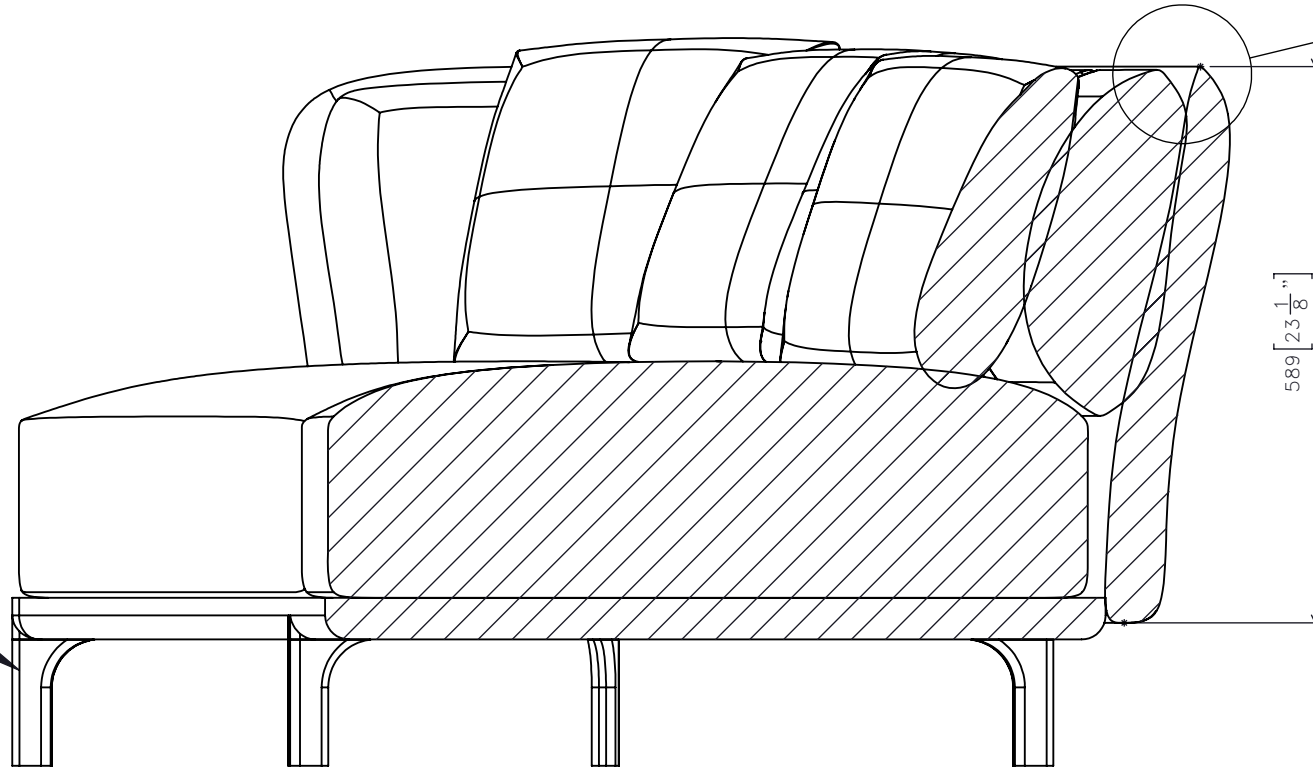


FF-WD-XX  
SOLID HARDWOOD  
BASE

FF-WD-XX  
SOLID HARDWOOD  
BASE

**5** CG-XX PS SOFA MIRROR  
1:14 FRONT ELEVATION

FF-WD-XX  
SOLID HARDWOOD  
BASE



**4** CG-XX PS SOFA MIRROR  
1:14 SECTION J-J

-REV/	-ISSUED FOR	-DATE

**STUDIO MUNGE**  
 25 WINGOLD AVENUE  
 TORONTO, ONTARIO  
 M6B 1P8 CANADA  
 416.588.1668  
 STUDIOMUNGE.COM

**-SCALE**  
AS NOTED

**-DATE**  
2020-04-15

**-DRAWN BY**  
RC

**-CHECKED BY**

**-PROJECT NAME**  
  
QUEEN'S MARQUE

**-DRAWING TITLE**  
  
CG-XX  
PS SOFA MIRROR

**-PROJECT NUMBER**  
17140

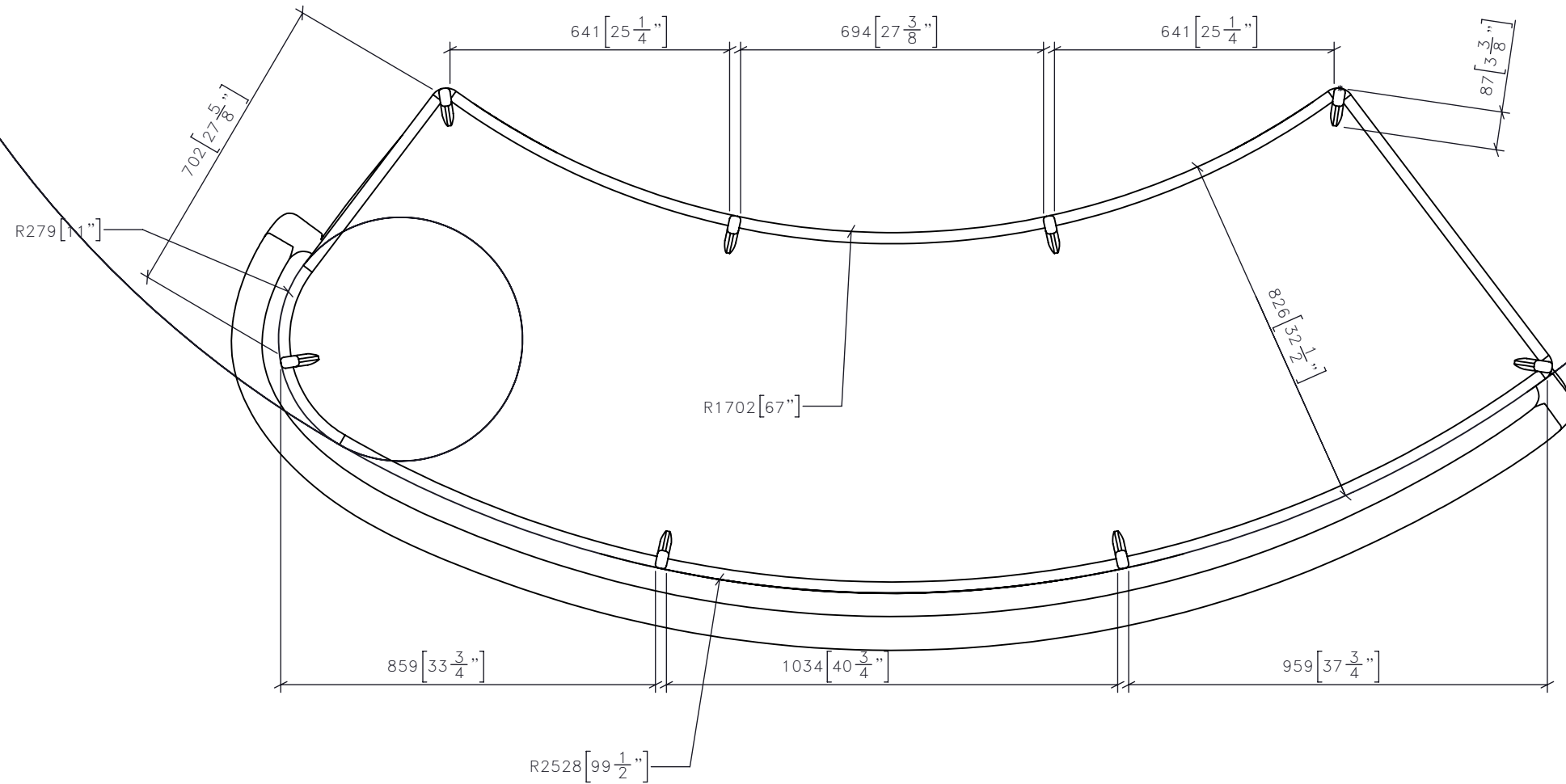
**-DRAWING NUMBER**  
2 / 4

STUDIO MUNGE  
E  
D  
C  
B  
A  
Y

FOR DESIGN INTENT ONLY

DRAWING ARE NOT TO BE SCALED. CONTRACTOR MUST CHECK AND VERIFY ALL JOB DIMENSIONS, DRAWINGS, DETAILS AND SPECIFICATIONS; AND REPORT ANY DISCREPANCIES TO DESIGNER BEFORE PROCEEDING WITH WORK.

-REV/	-ISSUED FOR	-DATE



**STUDIO MUNGE**  
25 WINGOLD AVENUE  
TORONTO, ONTARIO  
M6B 1P8 CANADA  
416.588.1668  
STUDIOMUNGE.COM

**-SCALE**  
AS NOTED

**-DATE**  
2020-04-15

**-DRAWN BY**  
RC

**-CHECKED BY**

**-PROJECT NAME**  
QUEEN'S MARQUE

**-DRAWING TITLE**  
CG-XX  
PS SOFA MIRROR

**-PROJECT NUMBER**  
17140

**-DRAWING NUMBER**  
3 / 4

**4** | CG-XX | PS SOFA MIRROR  
1:14 | BOTTOM PLAN

STUDIO MUNGE  
E  
F  
D  
C  
B  
A  
Y

FOR DESIGN INTENT ONLY

DRAWING ARE NOT TO BE SCALED. CONTRACTOR MUST CHECK AND VERIFY ALL JOB DIMENSIONS, DRAWINGS, DETAILS AND SPECIFICATIONS; AND REPORT ANY DISCREPANCIES TO DESIGNER BEFORE PROCEEDING WITH WORK.

-REV/	-ISSUED FOR	-DATE



**STUDIO MUNGE**  
25 WINGOLD AVENUE  
TORONTO, ONTARIO  
M6B 1P8 CANADA  
416.588.1668  
STUDIOMUNGE.COM

**-SCALE**  
AS NOTED

**-DATE**  
2020-04-15

**-DRAWN BY**  
RC

**-CHECKED BY**

**-PROJECT NAME**  
  
QUEEN'S MARQUE

**-DRAWING TITLE**  
  
CG-XX  
PS SOFA MIRROR

**-PROJECT NUMBER**  
17140

**-DRAWING NUMBER**  
4 / 4

<b>4</b>	CG-XX	PS SOFA MIRROR RENDERED VIEW
	1:14	