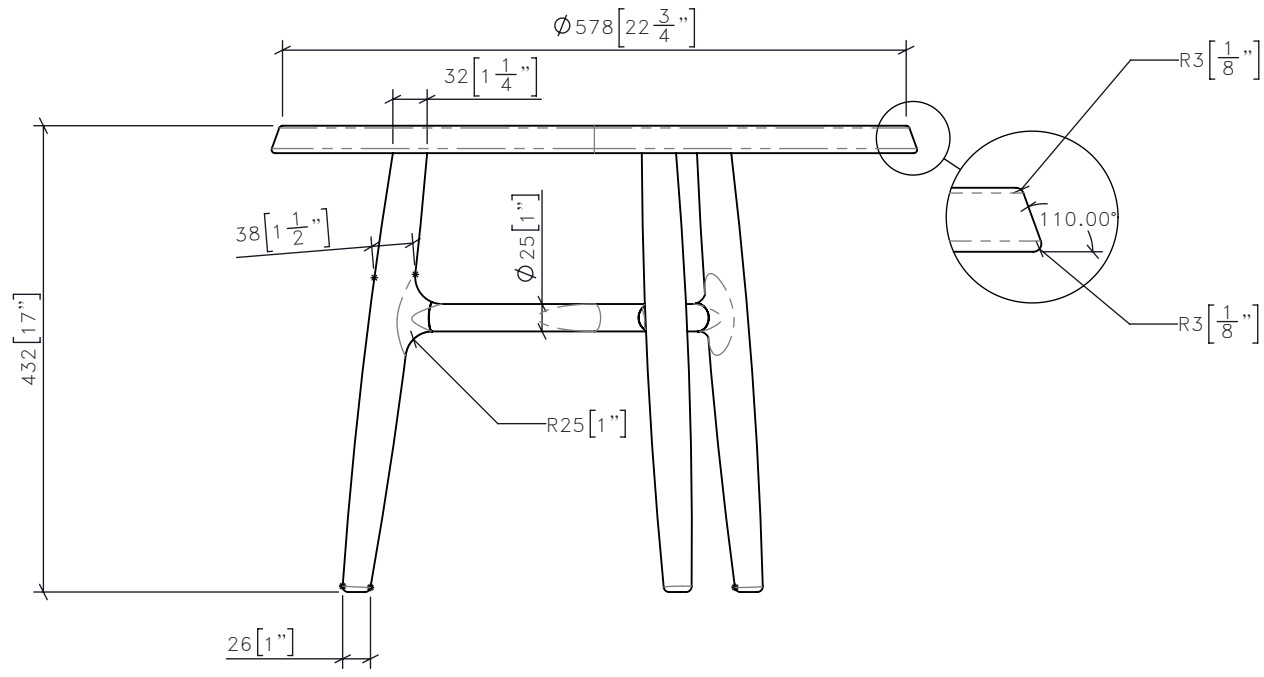
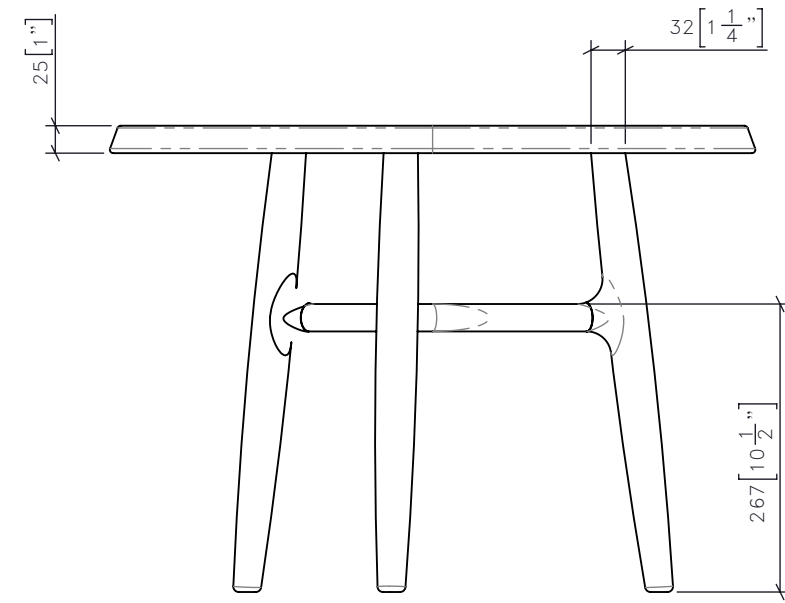


FOR DESIGN INTENT ONLY

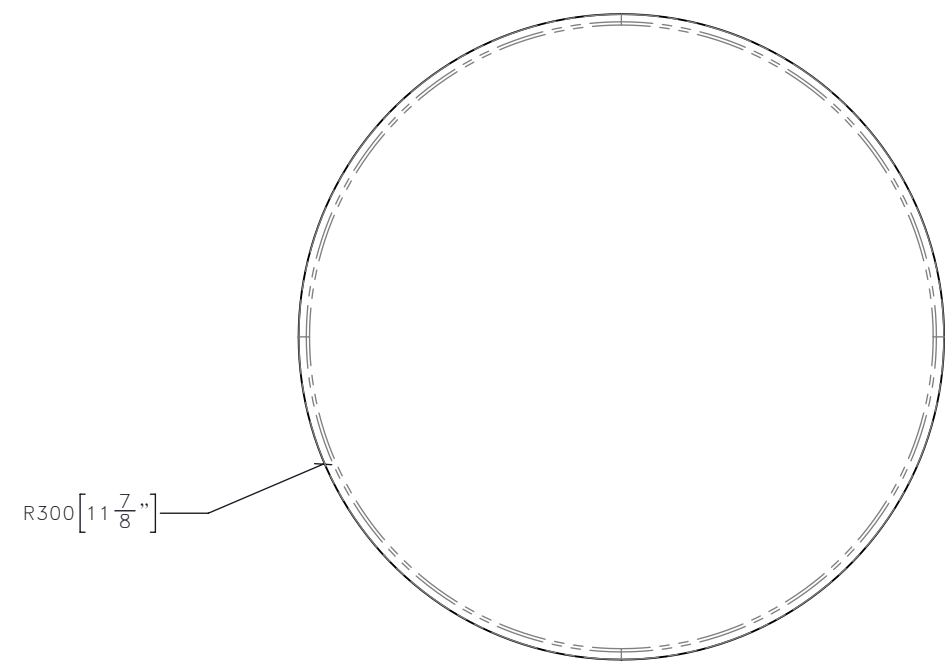
DRAWING ARE NOT TO BE SCALED. CONTRACTOR MUST CHECK AND VERIFY ALL JOB DIMENSIONS, DRAWINGS, DETAILS AND SPECIFICATIONS; AND REPORT ANY DISCREPANCIES TO DESIGNER BEFORE PROCEEDING WITH WORK.



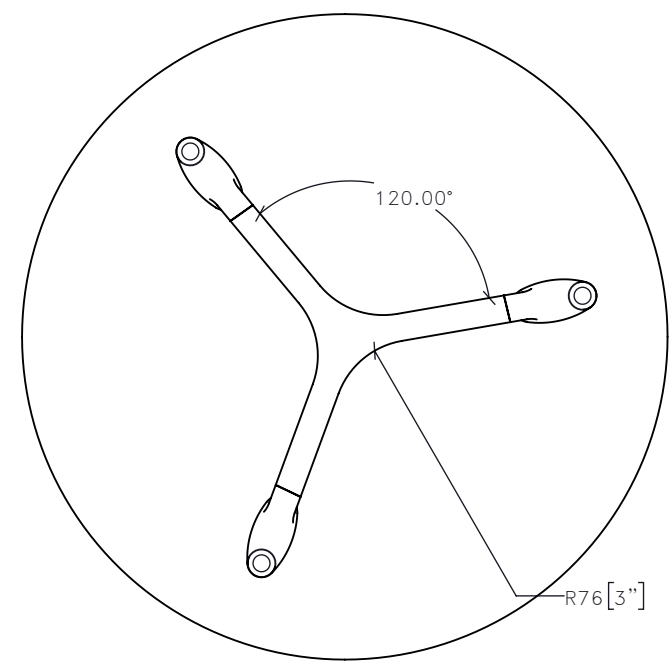
1 PS-CG-529 PS SIDE TABLE B
1:7 FRONT ELEVATION



3 PS-CG-529 PS SIDE TABLE B
1:7 SIDE ELEVATION



2 PS-CG-529 PS SIDE TABLE B
1:7 PLAN



4 PS-CG-529 PS SIDE TABLE B
1:7 BOTTOM PLAN

-REV/	-ISSUED FOR	-DATE
-SCALE		
AS NOTED		-DATE
		6/1/20
-DRAWN BY		-CHECKED BY
RC		
-PROJECT NAME		
QUEEN'S MARQUE		
-DRAWING TITLE		
PS-CG-529 PS SIDE TABLE B		
-PROJECT NUMBER		
17140		
-DRAWING NUMBER		
1 / 3		

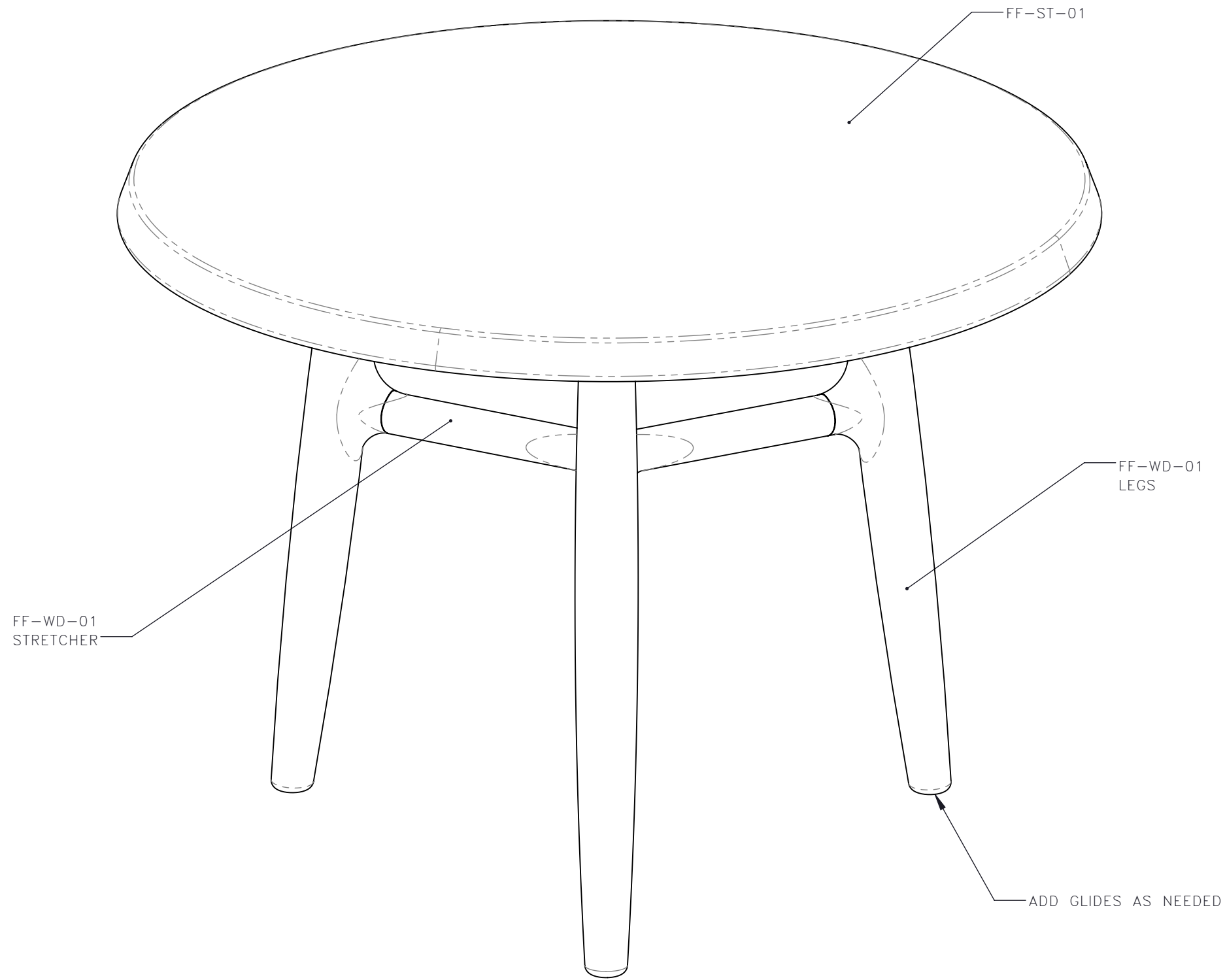
STUDIO MUNGE
 25 WINGOLD AVENUE
 TORONTO, ONTARIO
 M6B 1P8 CANADA
 416.588.1668
 STUDIOMUNGE.COM

STUDIO MUNGE

FOR DESIGN INTENT ONLY

DRAWING ARE NOT TO BE SCALED. CONTRACTOR MUST CHECK AND VERIFY ALL JOB DIMENSIONS, DRAWINGS, DETAILS AND SPECIFICATIONS; AND REPORT ANY DISCREPANCIES TO DESIGNER BEFORE PROCEEDING WITH WORK.

-REV/	-ISSUED FOR	-DATE



STUDIO MUNGE
 25 WINGOLD AVENUE
 TORONTO, ONTARIO
 M6B 1P8 CANADA
 416.588.1668
 STUDIOMUNGE.COM

-SCALE AS NOTED	-DATE 6/1/20
-DRAWN BY RC	-CHECKED BY
-PROJECT NAME QUEEN'S MARQUE	
-DRAWING TITLE PS-CG-529 PS SIDE TABLE B	
-PROJECT NUMBER 17140	
-DRAWING NUMBER 2 / 3	

4	PS-CG-529	PS SIDE TABLE B ISOMETRIC FRONT
	1:3	

STUDIO MUNGE
E
F
D
C
B
A
Y

FOR DESIGN INTENT ONLY

DRAWING ARE NOT TO BE SCALED. CONTRACTOR MUST CHECK AND VERIFY ALL JOB DIMENSIONS, DRAWINGS, DETAILS AND SPECIFICATIONS; AND REPORT ANY DISCREPANCIES TO DESIGNER BEFORE PROCEEDING WITH WORK.

-REV/	-ISSUED FOR	-DATE



**STUDIO
MUNGE**
25 WINGOLD AVENUE
TORONTO, ONTARIO
M6B 1P8 CANADA
416.588.1668
STUDIOMUNGE.COM

-SCALE
AS NOTED

-DATE
6/1/20

-DRAWN BY
RC

-CHECKED BY

-PROJECT NAME

QUEEN'S MARQUE

-DRAWING TITLE

PS-CG-529
PS SIDE TABLE B

-PROJECT NUMBER
17140

-DRAWING NUMBER
3 / 3

4 PS-CG-529 PS SIDE TABLE B
1:3 RENDERED VIEW