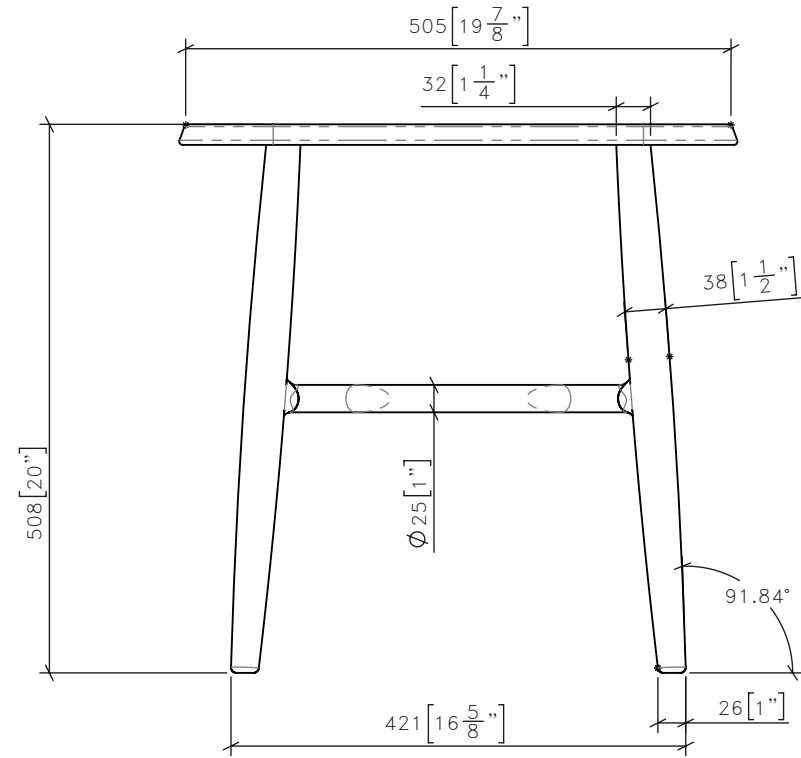
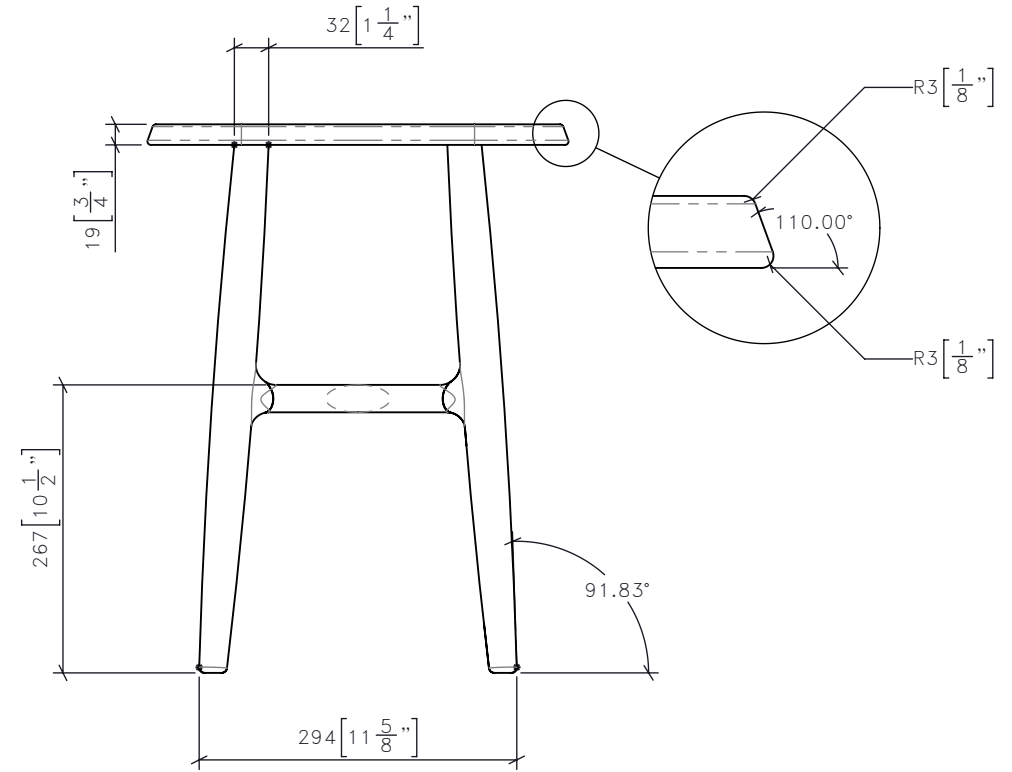


FOR DESIGN INTENT ONLY

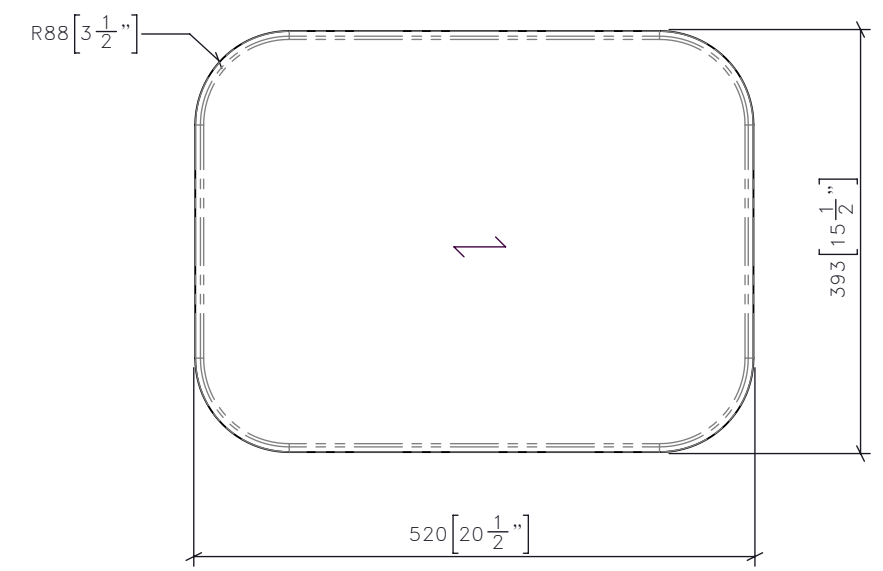
DRAWING ARE NOT TO BE SCALED. CONTRACTOR MUST CHECK AND VERIFY ALL JOB DIMENSIONS, DRAWINGS, DETAILS AND SPECIFICATIONS; AND REPORT ANY DISCREPANCIES TO DESIGNER BEFORE PROCEEDING WITH WORK.



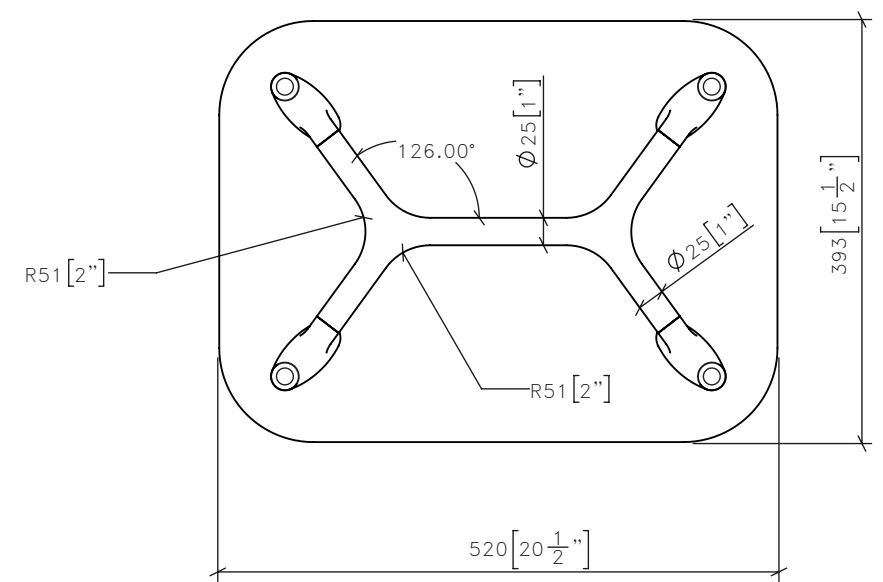
1 PS-CG-530 PS SIDE TABLE A
1:7 FRONT ELEVATION



3 PS-CG-530 PS SIDE TABLE A
1:7 SIDE ELEVATION



2 PS-CG-530 PS SIDE TABLE A
1:7 PLAN



4 PS-CG-530 PS SIDE TABLE A
1:7 BOTTOM ELEVATION

-REV/	-ISSUED FOR	-DATE

STUDIO MUNGE
25 WINGOLD AVENUE
TORONTO, ONTARIO
M6B 1P8 CANADA
416.588.1668
STUDIOMUNGE.COM

-SCALE AS NOTED
-DATE 6/1/20

-DRAWN BY RC
-CHECKED BY

-PROJECT NAME

QUEEN'S MARQUE

-DRAWING TITLE

PS-CG-530
PS SIDE TABLE A

-PROJECT NUMBER
17140

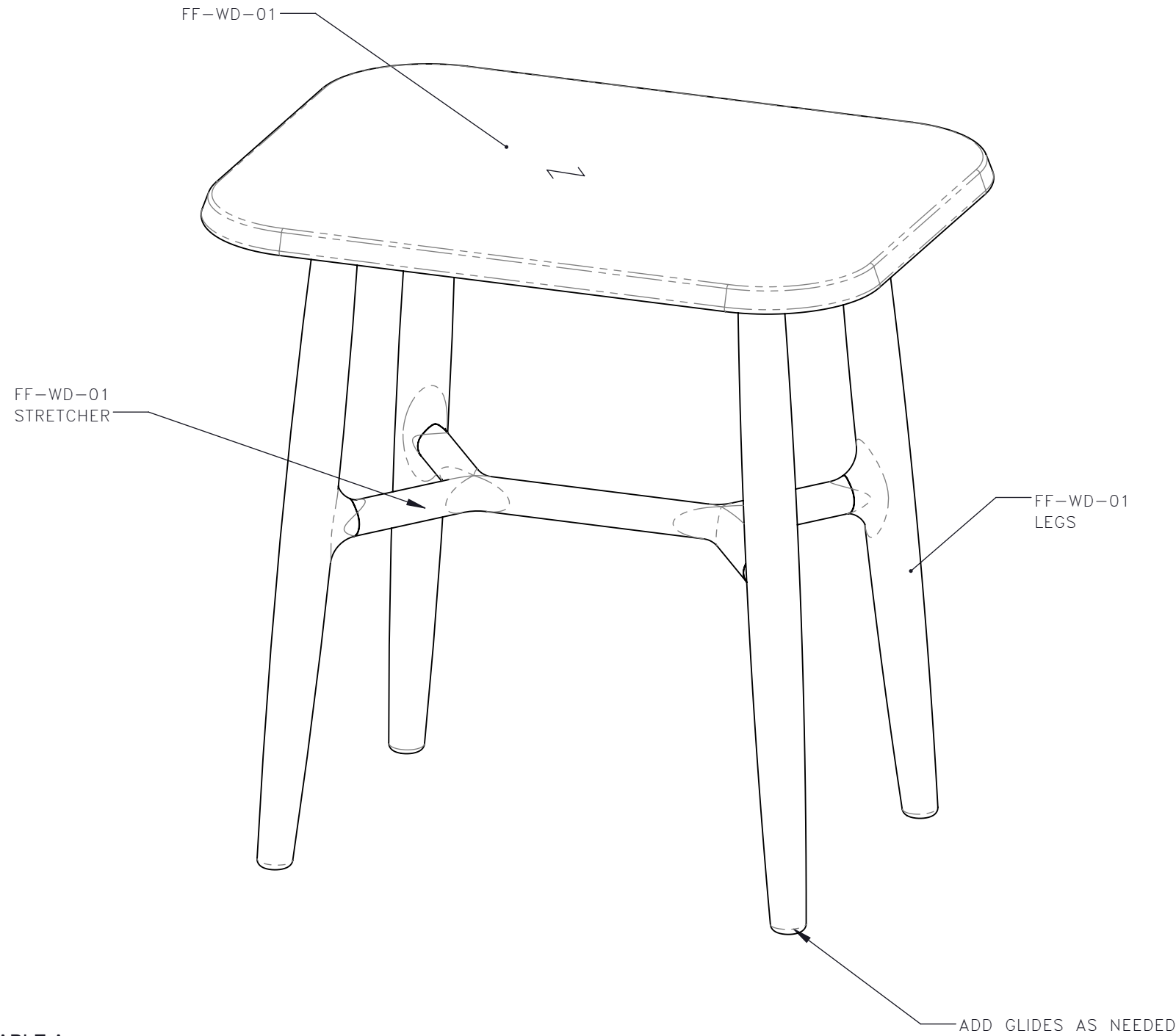
-DRAWING NUMBER
1 / 3

STUDIO MUNGE

FOR DESIGN INTENT ONLY

DRAWING ARE NOT TO BE SCALED. CONTRACTOR MUST CHECK AND VERIFY ALL JOB DIMENSIONS, DRAWINGS, DETAILS AND SPECIFICATIONS; AND REPORT ANY DISCREPANCIES TO DESIGNER BEFORE PROCEEDING WITH WORK.

-REV/	-ISSUED FOR	-DATE



STUDIO MUNGE
 25 WINGOLD AVENUE
 TORONTO, ONTARIO
 M6B 1P8 CANADA
 416.588.1668
 STUDIOMUNGE.COM

-SCALE AS NOTED	-DATE 6/1/20
-DRAWN BY RC	-CHECKED BY
-PROJECT NAME QUEEN'S MARQUE	
-DRAWING TITLE PS-CG-530 PS SIDE TABLE A	
-PROJECT NUMBER 17140	
-DRAWING NUMBER 2 / 3	

5 PS-CG-530 PS SIDE TABLE A
 1:4 ISOMETRIC FRONT

STUDIO MUNGE
E
F
D
C
B
A
Y

FOR DESIGN INTENT ONLY

DRAWING ARE NOT TO BE SCALED. CONTRACTOR MUST CHECK AND VERIFY ALL JOB DIMENSIONS, DRAWINGS, DETAILS AND SPECIFICATIONS; AND REPORT ANY DISCREPANCIES TO DESIGNER BEFORE PROCEEDING WITH WORK.

-REV/	-ISSUED FOR	-DATE



**STUDIO
MUNGE**
25 WINGOLD AVENUE
TORONTO, ONTARIO
M6B 1P8 CANADA
416.588.1668
STUDIOMUNGE.COM

-SCALE
AS NOTED

-DATE
6/1/20

-DRAWN BY
RC

-CHECKED BY

-PROJECT NAME

QUEEN'S MARQUE

-DRAWING TITLE

PS-CG-530
PS SIDE TABLE A

-PROJECT NUMBER
17140

-DRAWING NUMBER
3 / 3

6 PS-CG-530 PS SIDE TABLE A
1:4 RENDERED VIEW