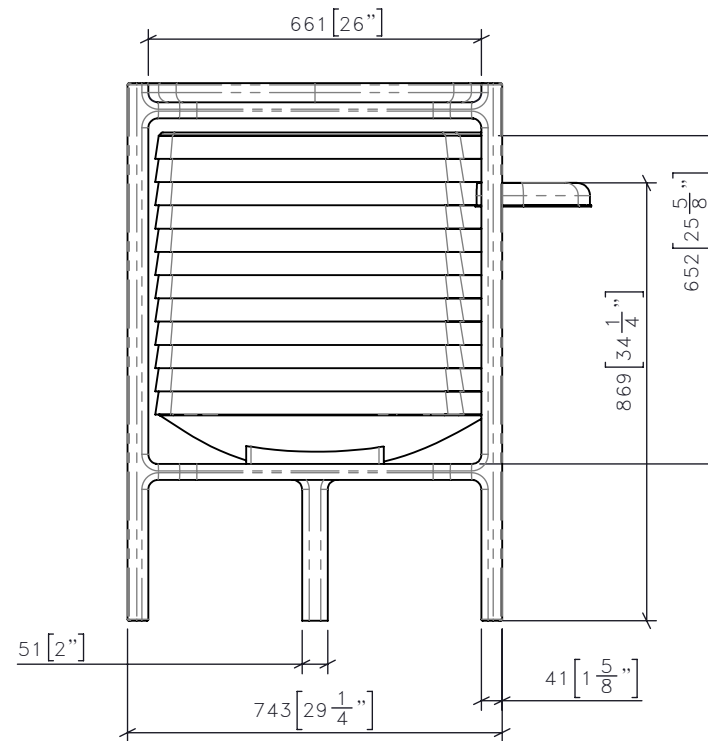
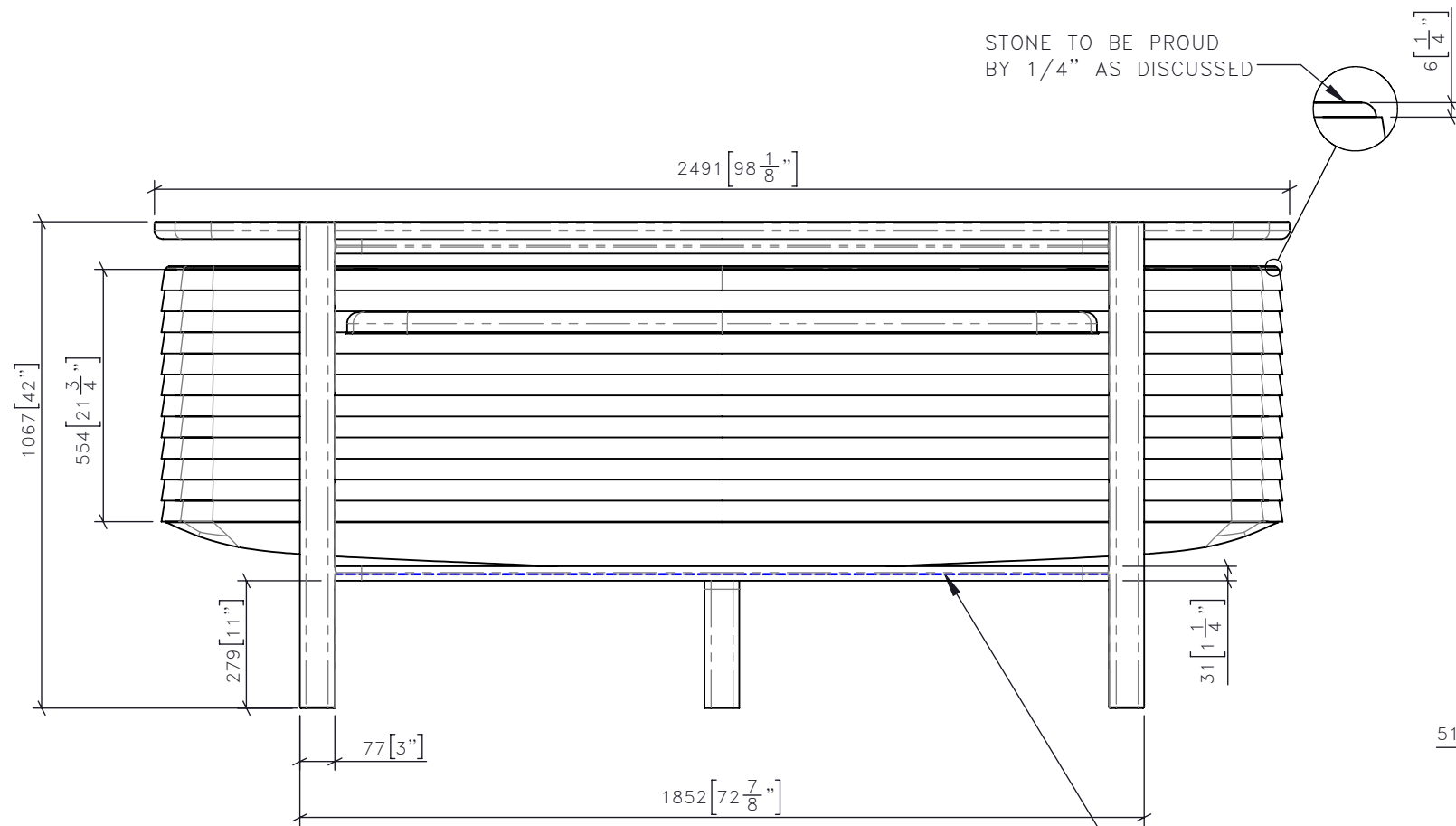


FOR DESIGN INTENT ONLY

DRAWING ARE NOT TO BE SCALED. CONTRACTOR MUST CHECK AND VERIFY ALL JOB DIMENSIONS, DRAWINGS, DETAILS AND SPECIFICATIONS; AND REPORT ANY DISCREPANCIES TO DESIGNER BEFORE PROCEEDING WITH WORK.

| -REV/ | -ISSUED FOR | -DATE |
|-------|-------------|-------|
|       |             |       |

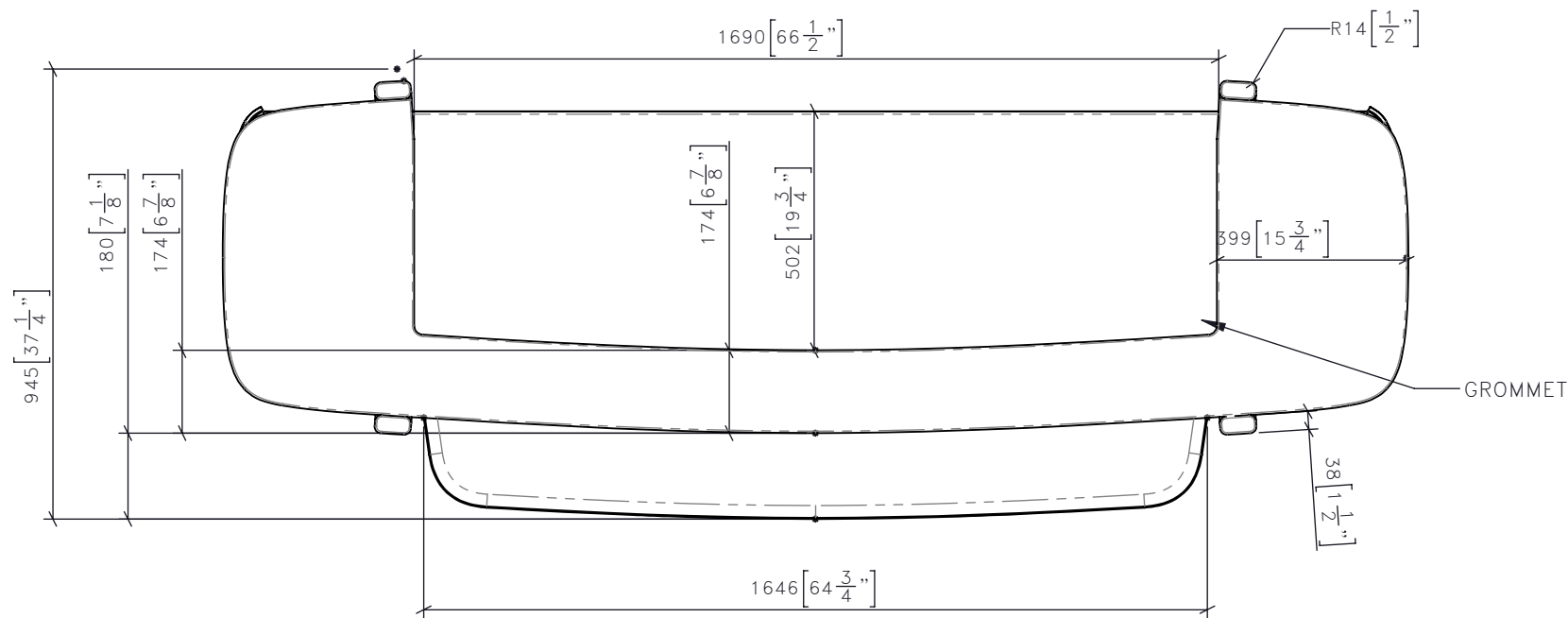


STONE TO BE PROUD BY 1/4" AS DISCUSSED

LT-01 INTEGRATED LED DOWN LIGHTING

**1** L1-CG-04 RECEPTION DESK FRONT ELEVATION  
1:15

**3** L1-CG-04 RECEPTION DESK SIDE ELEVATION  
1:15



**2** L1-CG-04 RECEPTION DESK PLAN  
1:15

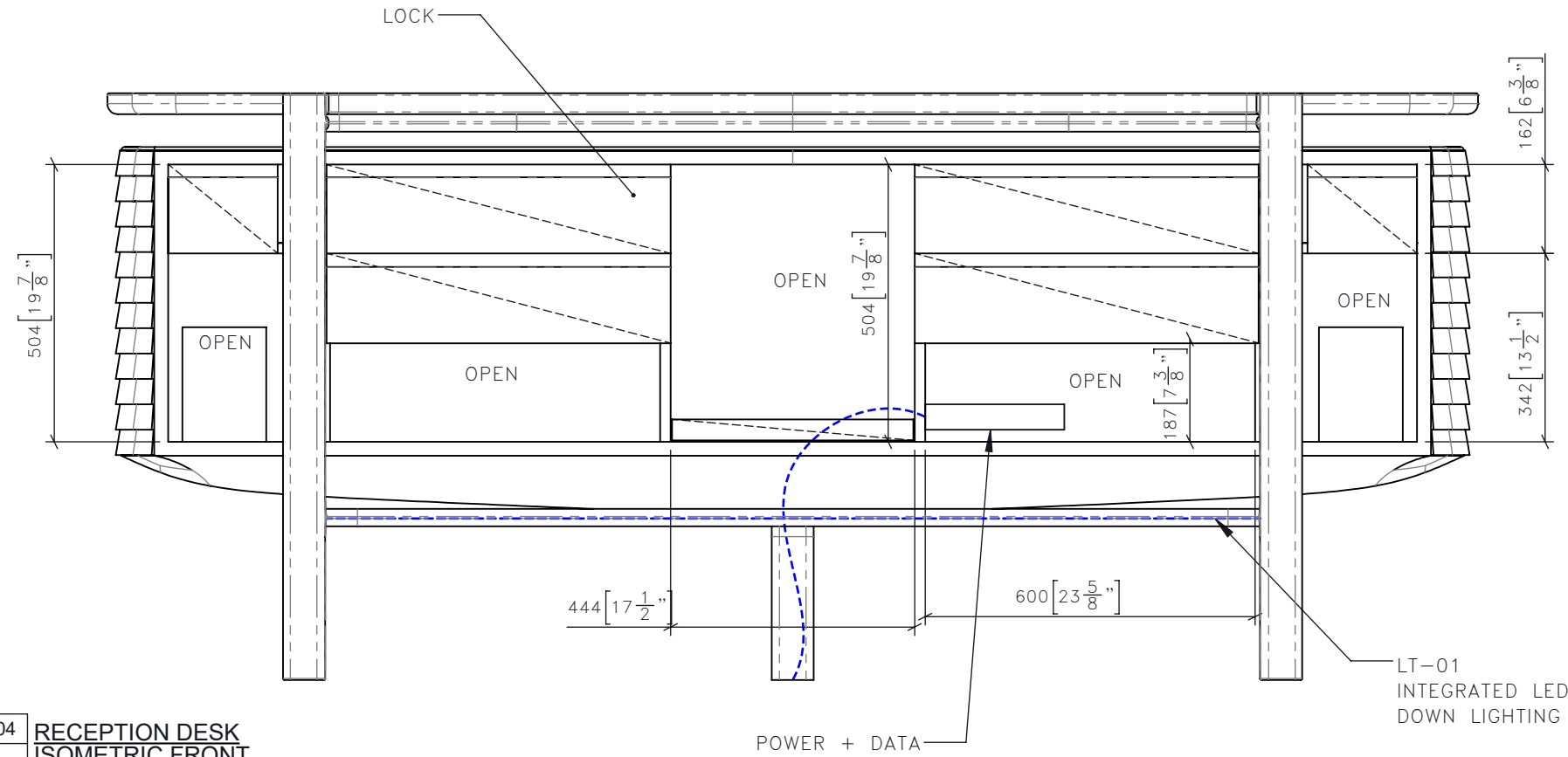
|  |                     |
|--|---------------------|
| -SCALE<br>AS NOTED                               | -DATE<br>2020-06-12 |
| -DRAWN BY<br>RC                                  | -CHECKED BY         |
| -PROJECT NAME<br><br>QUEEN'S MARQUE              |                     |
| -DRAWING TITLE<br><br>L1-CG-04<br>RECEPTION DESK |                     |
| -PROJECT NUMBER<br>17140                         |                     |
| -DRAWING NUMBER<br>1 / 4                         |                     |

STUDIO MUNGE

FOR DESIGN INTENT ONLY

DRAWING ARE NOT TO BE SCALED. CONTRACTOR MUST CHECK AND VERIFY ALL JOB DIMENSIONS, DRAWINGS, DETAILS AND SPECIFICATIONS; AND REPORT ANY DISCREPANCIES TO DESIGNER BEFORE PROCEEDING WITH WORK.

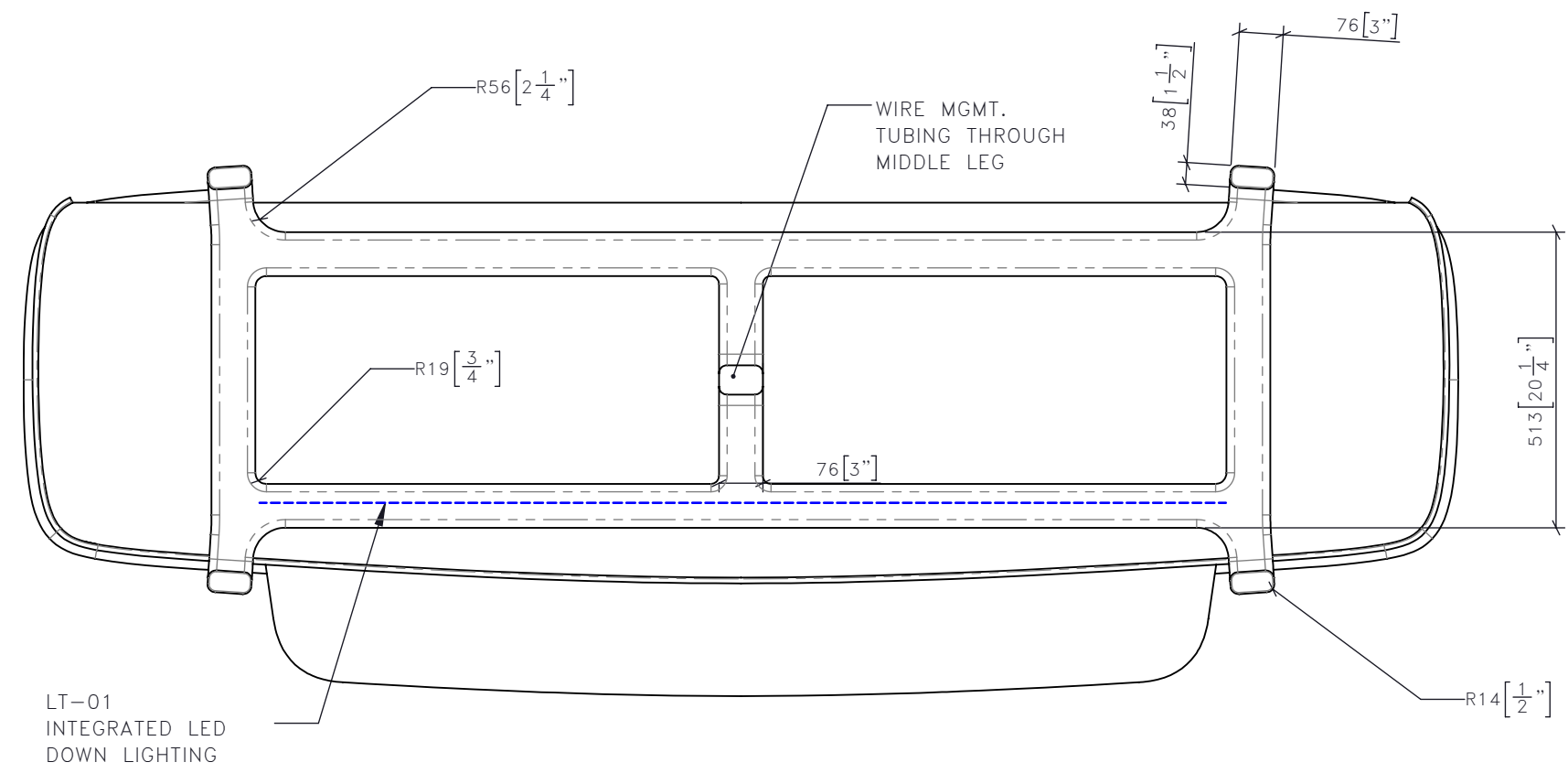
| -REV/ | -ISSUED FOR | -DATE |
|-------|-------------|-------|
|       |             |       |



**STUDIO MUNGE**  
 25 WINGOLD AVENUE  
 TORONTO, ONTARIO  
 M6B 1P8 CANADA  
 416.588.1668  
 STUDIOMUNGE.COM

|  |                     |
|--|---------------------|
| -SCALE<br>AS NOTED                               | -DATE<br>2020-06-12 |
| -DRAWN BY<br>RC                                  | -CHECKED BY         |
| -PROJECT NAME<br><br>QUEEN'S MARQUE              |                     |
| -DRAWING TITLE<br><br>L1-CG-04<br>RECEPTION DESK |                     |
| -PROJECT NUMBER<br>17140                         |                     |
| -DRAWING NUMBER<br>2 / 4                         |                     |

**4** L1-CG-04 RECEPTION DESK ISOMETRIC FRONT  
1:12



STUDIO MUNGE

FOR DESIGN INTENT ONLY

DRAWING ARE NOT TO BE SCALED. CONTRACTOR MUST CHECK AND VERIFY ALL JOB DIMENSIONS, DRAWINGS, DETAILS AND SPECIFICATIONS; AND REPORT ANY DISCREPANCIES TO DESIGNER BEFORE PROCEEDING WITH WORK.

LOCKABLE DRAWER FOR STORAGE AND CASH BOX

DRAWER

L1-FF-WD-02  
SOLID HARDWOOD  
FRAME CONSTRUCTION

LOCKABLE DRAWER FOR STORAGE AND CASH BOX

WASTE BIN

DRAWER

**5** | L1-CG-04 | RECEPTION DESK  
1:15 | ISOMETRIC REAR VIEW

ENSURE PLENTY OF AREAS FOR WIRE MGMT

AREA FOR PRINTER ON PULLOUT TRAY

WIRE MGMT TO RUN THROUGH LEGS

L1-FF-ST-02

L1-FF-ST-02  
ADA COUNTER  
ENSURE PROPER STABILITY

L1-FF-ST-02

L1-FF-ML-01  
METAL RIBBING  
FACADE

L1-FF-WD-02  
SOLID HARDWOOD  
FRAME CONSTRUCTION

| -REV/ | -ISSUED FOR | -DATE |
|-------|-------------|-------|
|       |             |       |

**STUDIO MUNGE**  
25 WINGOLD AVENUE  
TORONTO, ONTARIO  
M6B 1P8 CANADA  
416.588.1668  
STUDIOMUNGE.COM

**-SCALE**  
AS NOTED

**-DATE**  
2020-06-12

**-DRAWN BY**  
RC

**-CHECKED BY**

**-PROJECT NAME**

QUEEN'S MARQUE

**-DRAWING TITLE**

L1-CG-04  
RECEPTION DESK

**-PROJECT NUMBER**  
17140

**-DRAWING NUMBER**  
3 / 4

**4** | L1-CG-04 | RECEPTION DESK  
1:15 | ISOMETRIC FRONT VIEW

STUDIO MUNGE  
E  
F  
D  
C  
B  
A  
Y

FOR DESIGN INTENT ONLY

DRAWING ARE NOT TO BE SCALED. CONTRACTOR MUST CHECK AND VERIFY ALL JOB DIMENSIONS, DRAWINGS, DETAILS AND SPECIFICATIONS; AND REPORT ANY DISCREPANCIES TO DESIGNER BEFORE PROCEEDING WITH WORK.

| -REV/ | -ISSUED FOR | -DATE |
|-------|-------------|-------|
|       |             |       |



**STUDIO  
MUNGE**  
25 WINGOLD AVENUE  
TORONTO, ONTARIO  
M6B 1P8 CANADA  
416.588.1668  
STUDIOMUNGE.COM

**-SCALE**  
AS NOTED

**-DATE**  
2020-06-12

**-DRAWN BY**  
RC

**-CHECKED BY**

**-PROJECT NAME**  
  
QUEEN'S MARQUE

**-DRAWING TITLE**  
  
L1-CG-04  
RECEPTION DESK

**-PROJECT NUMBER**  
17140

**-DRAWING NUMBER**  
4 / 4

|          |                  |                                 |
|----------|------------------|---------------------------------|
| <b>4</b> | L1-CG-04<br>1:15 | RECEPTION DESK<br>RENDERED VIEW |
|----------|------------------|---------------------------------|