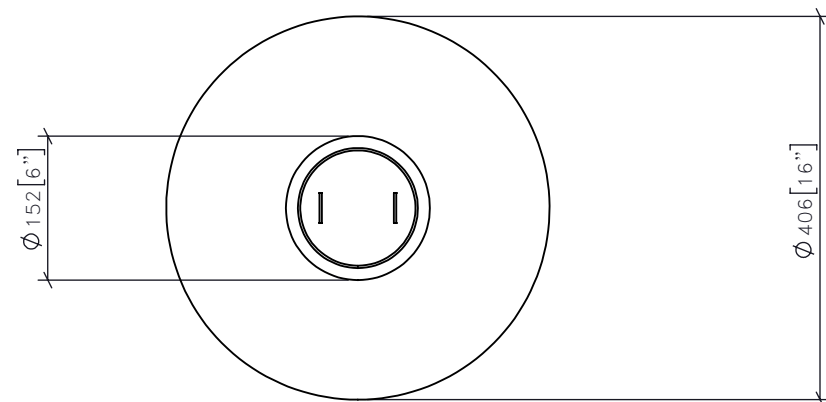
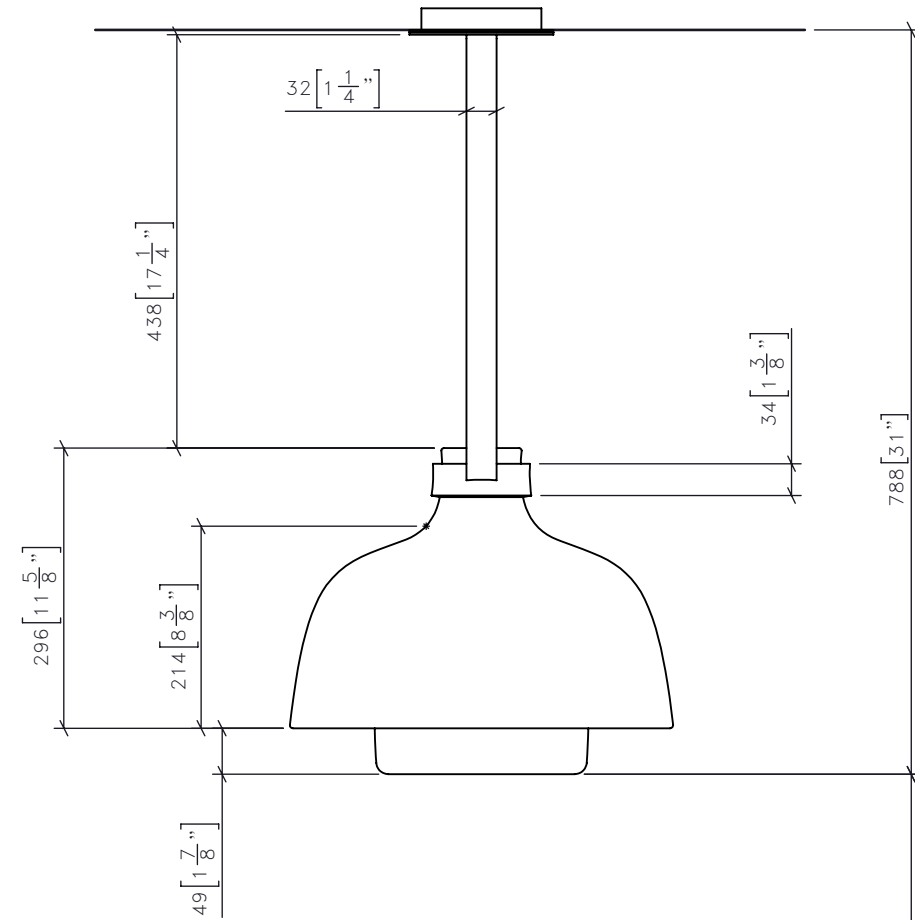
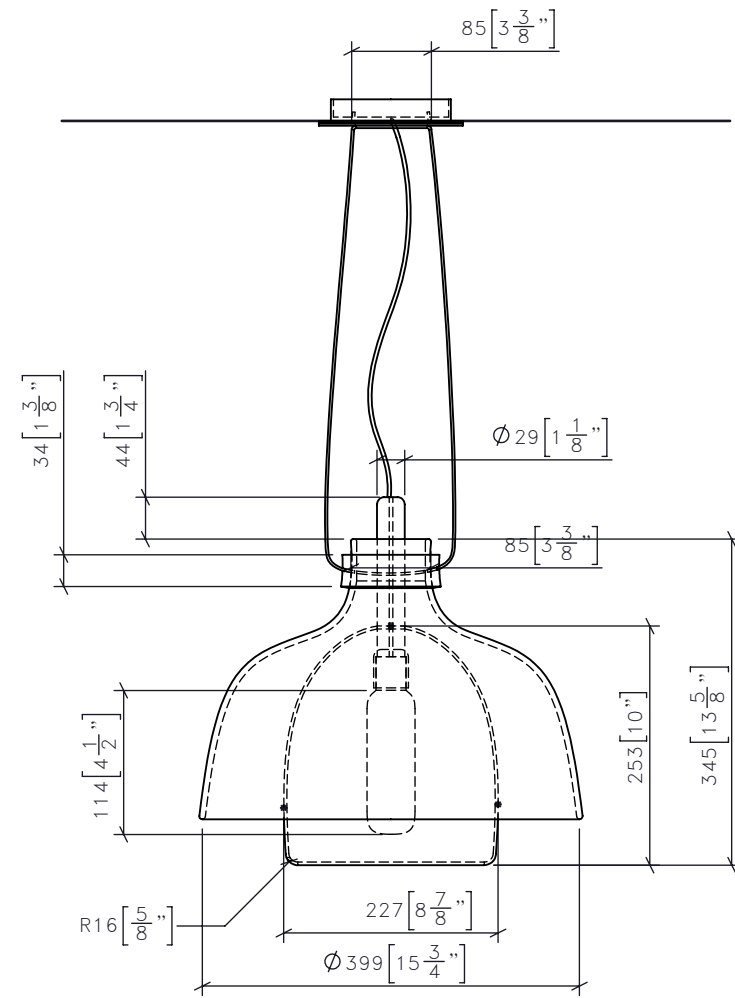


FOR DESIGN INTENT ONLY

DRAWING ARE NOT TO BE SCALED. CONTRACTOR MUST CHECK AND VERIFY ALL JOB DIMENSIONS, DRAWINGS, DETAILS AND SPECIFICATIONS; AND REPORT ANY DISCREPANCIES TO DESIGNER BEFORE PROCEEDING WITH WORK.



**1** | LT-502A | CEILING PENDANT  
1:8 | FRONT ELEVATION

**3** | LT-502A | CEILING PENDANT  
1:8 | SIDE ELEVATION

**2** | LT-502A | CEILING PENDANT  
1:8 | PLAN

-REV/	-ISSUED FOR	-DATE

**STUDIO MUNGE**  
25 WINGOLD AVENUE  
TORONTO, ONTARIO  
M6B 1P8 CANADA  
416.588.1668  
STUDIOMUNGE.COM

**-SCALE**  
AS NOTED

**-DATE**  
2020-05-11

**-DRAWN BY**  
EP

**-CHECKED BY**

**-PROJECT NAME**

QUEENS MARQUE

**-DRAWING TITLE**

LT-502A  
CEILING PENDANT

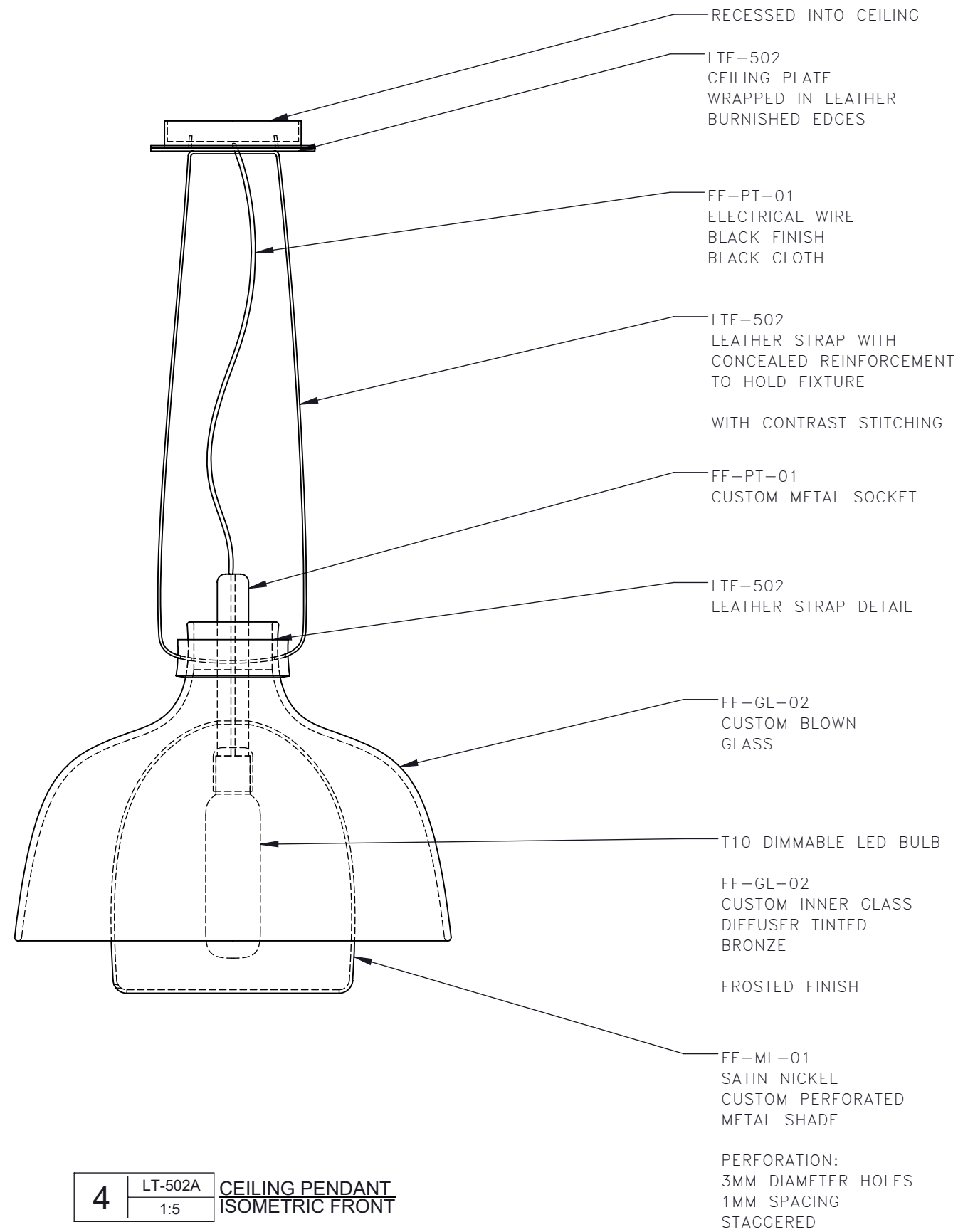
**-PROJECT NUMBER**  
17140

**-DRAWING NUMBER**  
1 / 3

STUDIO MUNGE

FOR DESIGN INTENT ONLY

DRAWING ARE NOT TO BE SCALED. CONTRACTOR MUST CHECK AND VERIFY ALL JOB DIMENSIONS, DRAWINGS, DETAILS AND SPECIFICATIONS; AND REPORT ANY DISCREPANCIES TO DESIGNER BEFORE PROCEEDING WITH WORK.



<b>4</b>	LT-502A	<b>CEILING PENDANT ISOMETRIC FRONT</b>
	1:5	

-REV/	-ISSUED FOR	-DATE

**STUDIO  
MUNGE**

25 WINGOLD AVENUE  
TORONTO, ONTARIO  
M6B 1P8 CANADA  
416.588.1668  
STUDIOMUNGE.COM

<b>-SCALE</b> AS NOTED	<b>-DATE</b> 2020-05-11
<b>-DRAWN BY</b> EP	<b>-CHECKED BY</b>
<b>-PROJECT NAME</b>  QUEENS MARQUE	
<b>-DRAWING TITLE</b>  LT-502A CEILING PENDANT	
<b>-PROJECT NUMBER</b> 17140	
<b>-DRAWING NUMBER</b> 2 / 3	

STUDIO MUNGE  
E  
F  
D  
C  
B  
A  
Y

FOR DESIGN INTENT ONLY

DRAWING ARE NOT TO BE SCALED. CONTRACTOR MUST CHECK AND VERIFY ALL JOB DIMENSIONS, DRAWINGS, DETAILS AND SPECIFICATIONS; AND REPORT ANY DISCREPANCIES TO DESIGNER BEFORE PROCEEDING WITH WORK.

-REV/	-ISSUED FOR	-DATE



**STUDIO  
MUNGE**  
25 WINGOLD AVENUE  
TORONTO, ONTARIO  
M6B 1P8 CANADA  
416.588.1668  
STUDIOMUNGE.COM

**-SCALE**  
AS NOTED

**-DATE**  
2020-05-11

**-DRAWN BY**  
EP

**-CHECKED BY**

**-PROJECT NAME**  
  
QUEENS MARQUE

**-DRAWING TITLE**  
  
LT-502A  
CEILING PENDANT

**-PROJECT NUMBER**  
17140

**-DRAWING NUMBER**  
3 / 3

4	LT-502A	CEILING PENDANT
	1:5	RENDERED VIEW