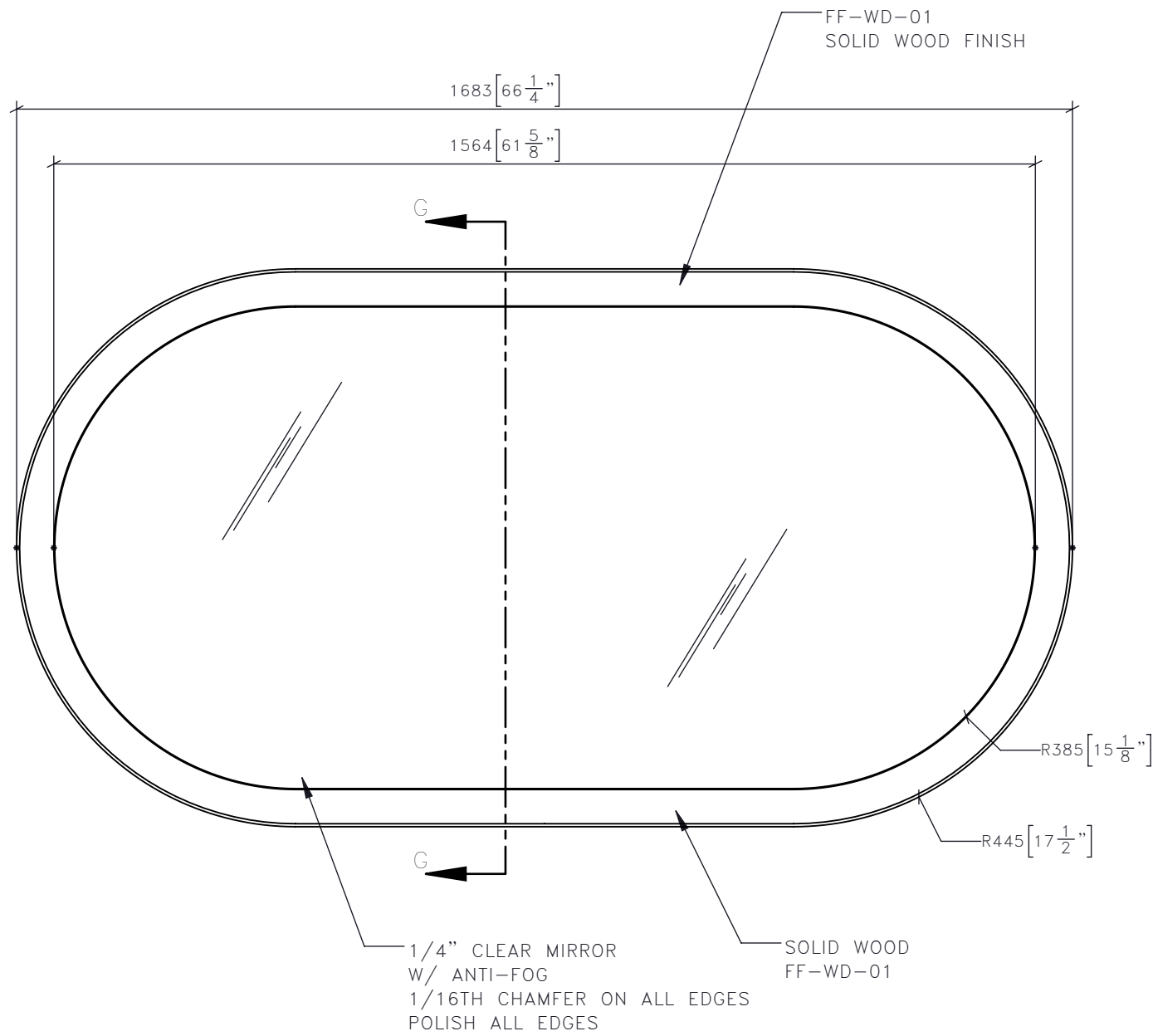
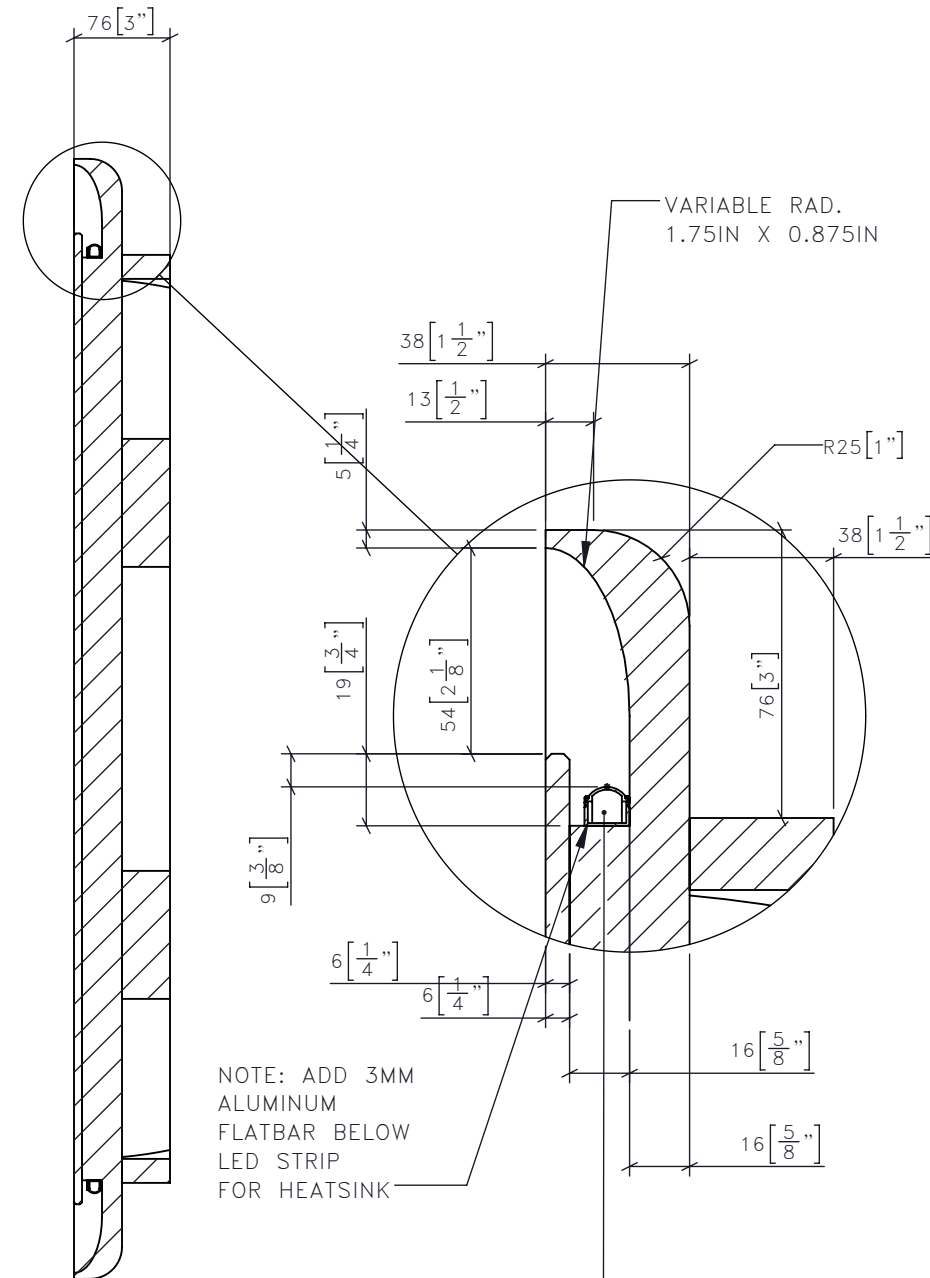


-REV/	-ISSUED FOR	-DATE



1 | M-508 | **VANITY MIRROR - B**
1:10 | FRONT ELEVATION



2 | M-508 | **VANITY MIRROR - B**
1:10 | SECTION G-G

STUDIO MUNGE
25 WINGOLD AVENUE
TORONTO, ONTARIO
M6B 1P8 CANADA
416.588.1668
STUDIOMUNGE.COM

-SCALE AS NOTED | -DATE 1/31/20

-DRAWN BY RC | -CHECKED BY

-PROJECT NAME

QUEEN'S MARQUE

-DRAWING TITLE

M-508
VANITY MIRROR - B

-PROJECT NUMBER
17140

-DRAWING NUMBER
1 / 3

STUDIO MUNGE

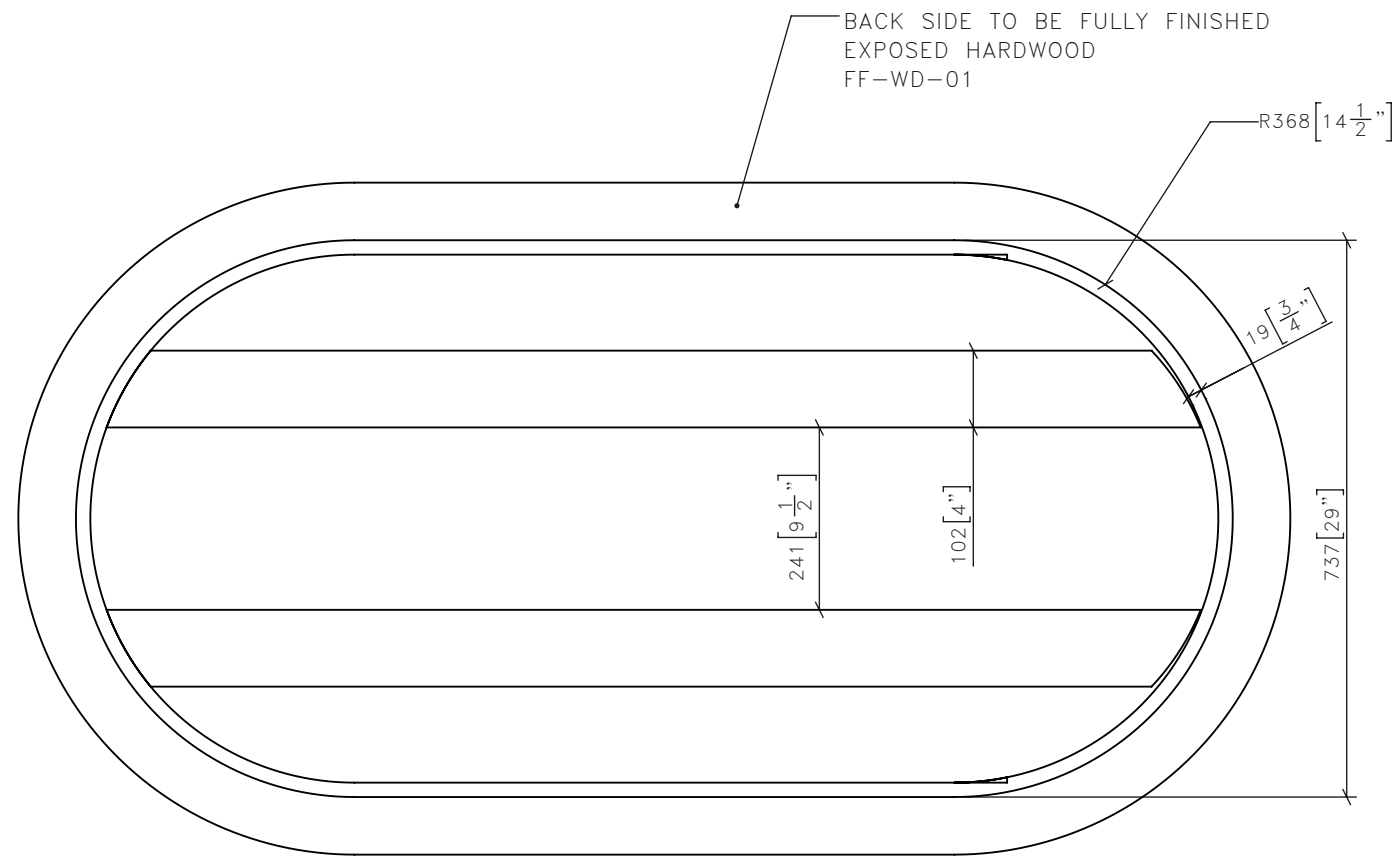
FOR DESIGN INTENT ONLY

DRAWING ARE NOT TO BE SCALED. CONTRACTOR MUST CHECK AND VERIFY ALL JOB DIMENSIONS, DRAWINGS, DETAILS AND SPECIFICATIONS; AND REPORT ANY DISCREPANCIES TO DESIGNER BEFORE PROCEEDING WITH WORK.

-REV/	-ISSUED FOR	-DATE

STUDIO MUNGE
 25 WINGOLD AVENUE
 TORONTO, ONTARIO
 M6B 1P8 CANADA
 416.588.1668
 STUDIOMUNGE.COM

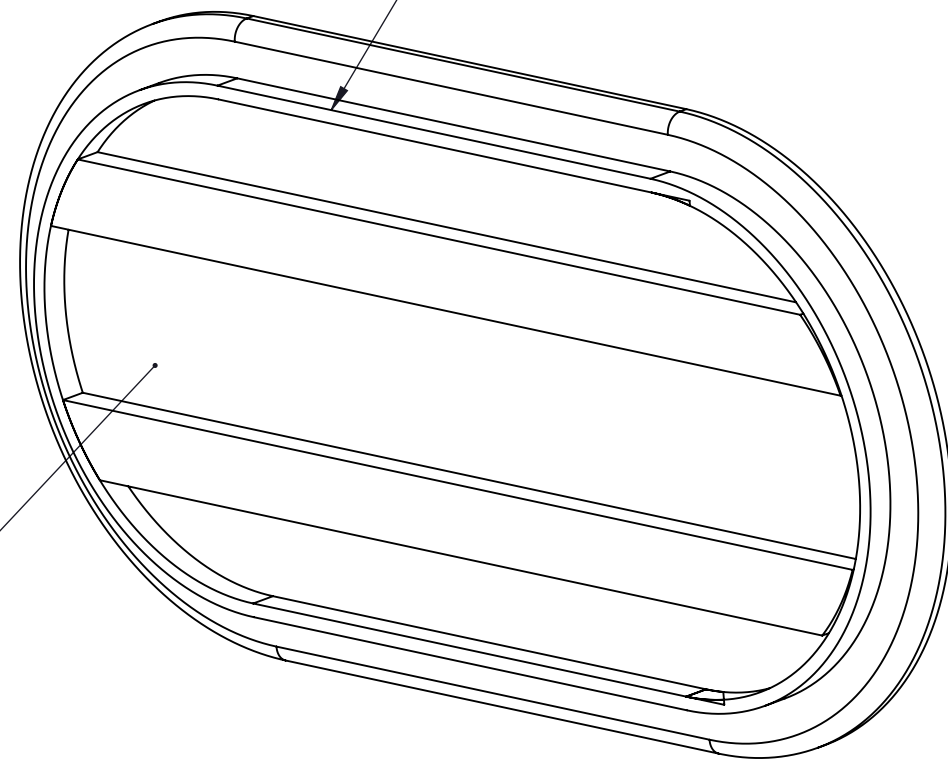
-SCALE AS NOTED	-DATE 1/31/20
-DRAWN BY RC	-CHECKED BY
-PROJECT NAME QUEEN'S MARQUE	
-DRAWING TITLE M-508 VANITY MIRROR - B	
-PROJECT NUMBER 17140	
-DRAWING NUMBER 2 / 3	



4 | M-508 | VANITY MIRROR - B
1:10 | REAR ELEVATION

BACKING TO
CONCEAL CLEATS
ADD BLOCKING TO
INTERIOR AS NEEDED

LACQUERED FINISH
FF-PT-01



DRIVER, WIRING CONNECTIONS,
ETC TO MOUNT AT THIS LOCALITON

5 | M-508 | VANITY MIRROR - B
1:10 | ISOMETRIC REAR

STUDIO MUNGE
E
F
D
C
B
A
Y

1 2 3 4 5 6

FOR DESIGN INTENT ONLY

DRAWING ARE NOT TO BE SCALED. CONTRACTOR MUST CHECK AND VERIFY ALL JOB DIMENSIONS, DRAWINGS, DETAILS AND SPECIFICATIONS; AND REPORT ANY DISCREPANCIES TO DESIGNER BEFORE PROCEEDING WITH WORK.

-REV/	-ISSUED FOR	-DATE



**STUDIO
MUNGE**
25 WINGOLD AVENUE
TORONTO, ONTARIO
M6B 1P8 CANADA
416.588.1668
STUDIOMUNGE.COM

-SCALE
AS NOTED

-DATE
1/31/20

-DRAWN BY
RC

-CHECKED BY

-PROJECT NAME
QUEEN'S MARQUE

-DRAWING TITLE
M-508
VANITY MIRROR - B

-PROJECT NUMBER
17140

-DRAWING NUMBER
3 / 3

4	M-508	VANITY MIRROR - B RENDERED VIEW
	1:10	

1 2 3 4 5 6